

GE Marine's non-SCR diesel technology requires no after-treatment

Diesel engine innovation meets EPA Tier 4 and IMO III emissions standards

As a global leader in emissions-reducing solutions, GE Marine again is at the forefront with its breakthrough non-SCR diesel technology that requires no urea-based after-treatment. This advanced technology reduces key emissions by more than 70% and enables in-engine compliance with EPA Tier 4 and IMO III emissions standards.

This innovative non-SCR diesel engine technology is available on GE Marine's L250 and V250 Series Diesel Engines and is the result of an eight-year investment to help businesses worldwide comply with EPA and IMO emission regulations.

Key benefits

- Available on GE Marine's L250 and V250 Series Diesel Engines ranging from 1,700 kW to 4,700 kW
- Eliminates urea use and storage to preserve cargo and tank space
- Requires no supplemental equipment or fluids, reducing capital and operating expenditures
- Engines supported by an extensive global parts distribution and service network
- Reducing ship design complexity and shipyard installation time and cost

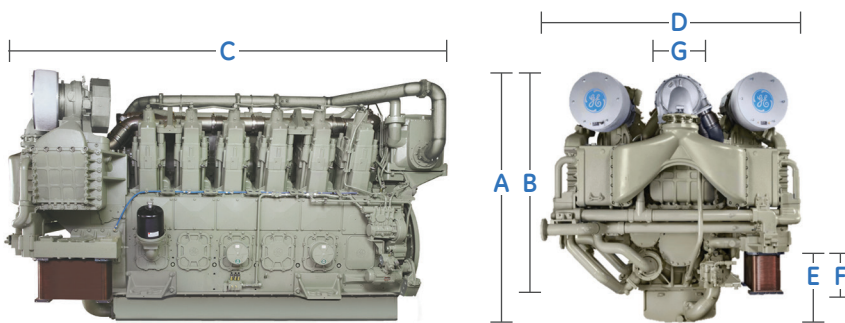


L250/V250 Series Diesel Engine specifications

		6L250MDC		8L250MDC		12V250MDC		16V250MDC	
Rated speed	rpm	900	1,000	900	1,000	900	1,000	900	1,000
MCR	bkW	1,700	1,900	2,250	2,500	3,150	3,500	4,200	4,700
	bhp	2,280	2,548	3,017	3,353	4,224	4,694	5,632	6,303

Engine data				
	6L250	8L250	12V250	16V250
Number of cylinders	6	8	12	16
Stroke cycle	4	4	4	4
Cylinder arrangement	inline	inline	V	V
Bore	250 mm (9.8 in)	250 mm (9.8 in)	250 mm (9.8 in)	250 mm (9.8 in)
Stroke	320 mm (12.6 in)	320 mm (12.6 in)	320 mm (12.6 in)	320 mm (12.6 in)
Compression ratio	15.0:1	15.0:1	15.0:1	15.0:1

Engine dimensions mm (in)					
		6L250	8L250	12V250	16V250
A	Height w/ deep sump	2,809 (110.6)	2,809 (110.6)	3,636 (143)	3,721 (147)
B	Height w/ shallow sump	N/A	N/A	3,520 (138.6)	3,540 (139.4)
C	Length	4,691 (184.7)	5,580 (219.7)	5,284 (208)	6,285 (247)
D	Width	2,006 (79)	2,006 (79)	2,693 (106.3)	2,693 (106.3)
E	Crank center line marine sump	940 (37)	940 (37)	1,077 (42.4)	1,161 (45.8)
F	Crank center line to mounting feet	308 (12.13)	308 (12.13)	536 (21.1)	536 (21.1)
G	Exhaust diameter	260 (10.2)	260 (10.2)	610 (24)	610 (24)
Dry weight kg (lb)		19,944 (43,876)	23,356 (51,491)	27,080 (59,700)	35,788 (78,900)



To learn more

Visit www.getransportation.com/marine

For questions contact

ge.marine@ge.com

GE Marine

2901 East Lake Road

Erie, Pennsylvania 16531

General Electric Company reserves the right to make changes in specifications and features shown herein at any time without notice or obligation.

GE, the GE Monogram, imagination at work, ecomagination and all other trademarks, and service marks, unless otherwise noted, are owned or licensed by General Electric Company or its subsidiaries. All other brand names, product names or trademarks belong to their respective holders.

Copyright © 2015. General Electric Company. All rights reserved.

