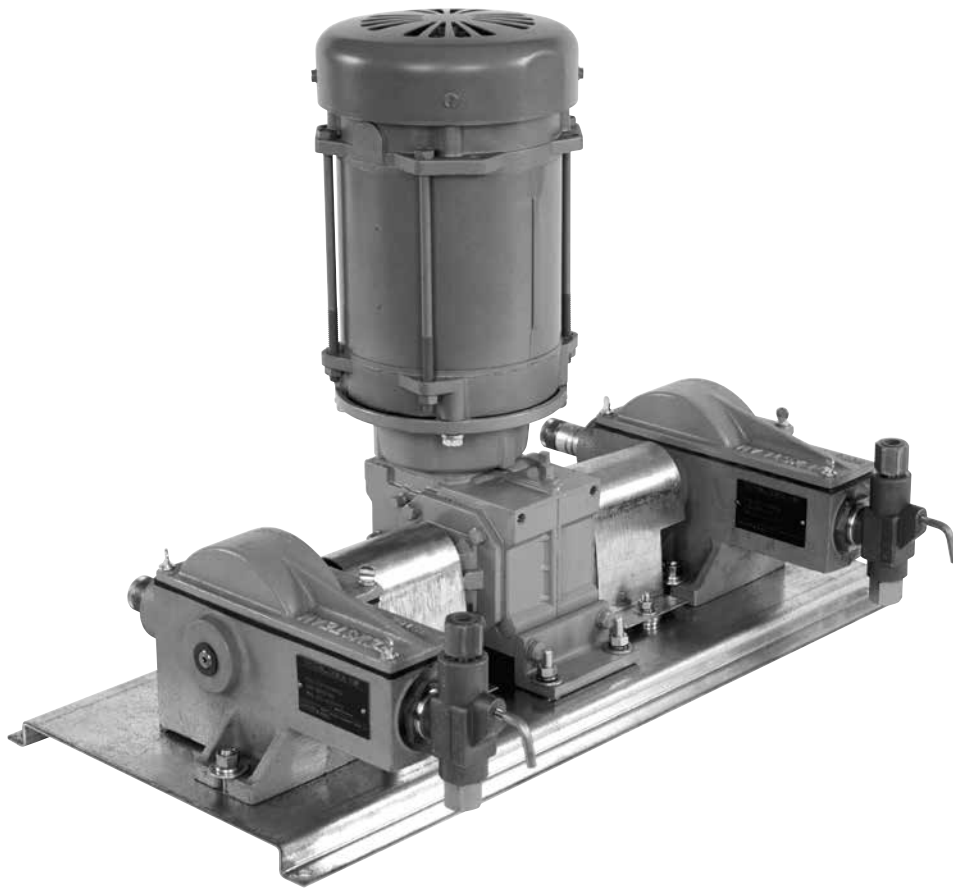


# Series 2500

Texsteam\* Electric Driven Injection Pump



## Contents

|   |          |
|---|----------|
| <b>Product Features</b> .....                       | <b>1</b> |
| Options:.....                                       | 1        |
| <b>Model Designation</b> .....                      | <b>1</b> |
| <b>Gear Reducer Oil Levels</b> .....                | <b>3</b> |
| Reducer Oil Change .....                            | 3        |
| <b>Series 2500 Simplex</b> .....                    | <b>4</b> |
| Parts List.....                                     | 4        |
| <b>Series 2500 Duplex</b> .....                     | <b>5</b> |
| Parts List.....                                     | 5        |
| <b>Series 2500 Triplex</b> .....                    | <b>6</b> |
| Parts List.....                                     | 6        |
| <b>Series 2500 Quadruplex</b> .....                 | <b>7</b> |
| Parts List.....                                     | 7        |
| <b>Installation and Start-Up Instructions</b> ..... | <b>8</b> |
| Installation.....                                   | 8        |
| Fluid End.....                                      | 8        |
| Motor.....  | 8        |
| Gear Reducer.....                                   | 8        |
| Start Up.....                                       | 8        |
| Preventive Maintenance.....                         | 8        |

## Product Features

- Maximum discharge pressure: 6,000 PSI (414 bar) w/3/16" plunger
- Maximum volume 139 gallons per day (528 liters per day) w/ 1/2" plunger
- Each head is adjustable while running
- Available in simplex, duplex, triplex, or quadruplex configurations
- Mix or match head sizes - pump the same or different chemicals
- Available in four stroke rates: 15, 30, 60, or 120 strokes per minute
- Each head is independently coupled - user friendly in the field
- 1/2 horsepower motor standard; 1 or 3 phase, TEFC or explosion proof; 50 or 60 hertz
- Available with 3/16", 1/4", 3/8", or 1/2" plunger

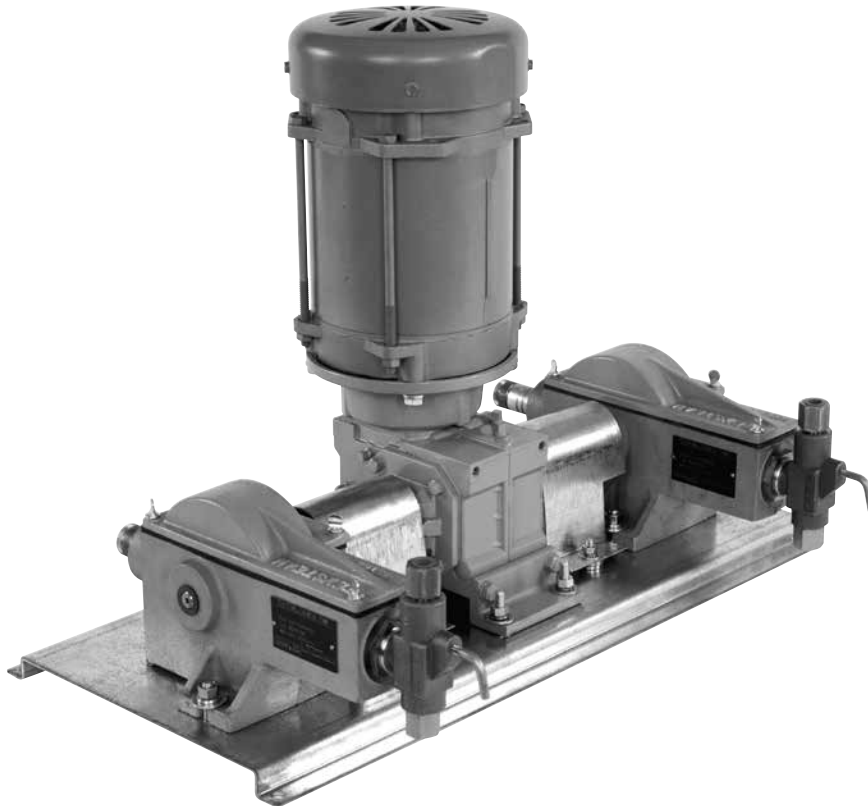
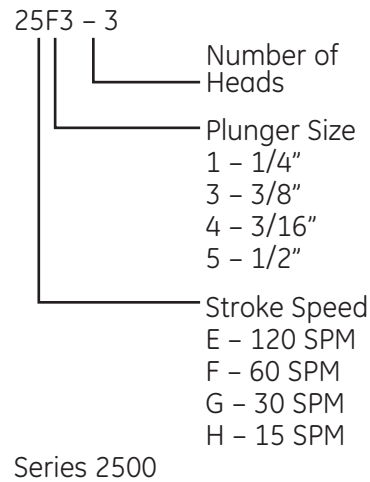
The Series 2500 of Texsteam chemical injection pumps are electric driven, positive displacement pumps utilizing C-faced motors and common gear reducers. The gear reducers are available in 15, 30, 60, and 120 strokes per minute configurations. By utilizing even further flexibility of a wide variety of plunger sizes, the 2500 Series can fill many application requirements of different flow and pressures.

The Series 2500 can have up to fluid ends, each driven off an eccentric cam gear which requires no oil.

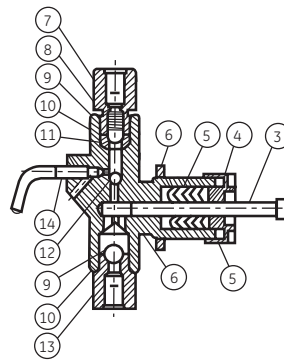
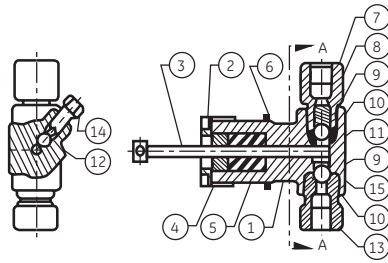
### Options:

Ceramic plungers which provide longer packing life and a wide variety of packing designed to meet the demands of many different chemical applications.

## Model Designation



| Plunger Size | Assembly Number |
|--------------|-----------------|
| 3/16"        | TB-1560         |



| Plunger Size | Assembly Number |
|--------------|-----------------|
| 1/4"         | TB-1557         |
| 3/8"         | TB-1558         |
| 1/2"         | TB-1559         |

| Item | Part #  | Name                      | Material              |
|------|---------|---------------------------|-----------------------|
| 1    | TB-1483 | Cover                     | ASTM A48 Cast Iron    |
| 2    | TA-0136 | 1/4-20 x 3/4 Thumbscrew   | Cad. Pl. Carbon Steel |
| 3    | TA-5821 | Cover Gasket              | Nitrile               |
| 4    | TC-2048 | Housing                   | ASTM A48 Cast Iron    |
| 5    | TA-0142 | HHCS 3/16"-18 x 1.25      | Cad. Pl. Carbon Steel |
| 6    | TA-0144 | Hex 5/16"18 Nut           | Cad. Pl. Carbon Steel |
| 7    | TA-0300 | Cut Washer 5/16           | Cad. Pl. Carbon Steel |
| 8    | TC-2071 | Simplex Base Plate        | Galvanized Steel      |
|      | TC-2072 | Duplex Base Plate         | Galvanized Steel      |
|      | TC-2073 | Triplex Base Plate        | Galvanized Steel      |
|      | TC-2074 | Quadruplex Base Plate     | Galvanized Steel      |
| 9*   | TB-1560 | 1/16" Head Assy.          | 316SS                 |
|      | TB-1557 | 1/4" Head Assy.           | 316SS                 |
|      | TB-1558 | 3/8" Head Assy.           | 316SS                 |
|      | TB-1559 | 1/2" Head Assy.           | 316SS                 |
| 10   | TA-5964 | Cross Head Bearing        | Nylon                 |
| 11   | TA-5965 | Cross Head Bearing        | Nylon                 |
| 12   | TA-5966 | Screen                    | SS                    |
| 13   | TB-1542 | Cross Head                | AISI 4140 Hr Steel    |
| 14   | TA-5823 | Eccentric Cam             | C1018 Steel           |
| 15   | TA-5830 | Roller Bearing            | Steel                 |
| 16   | TA-5831 | 10-24 UNC x 1/4 Set Screw | Carbon Steel          |
| 17   | TA-2824 | Woodruff Key              | Carbon Steel          |
| 18   | TA-5832 | Sleeve Bearing            | Reinforced Steel      |
| 19   | TA-5826 | Shaft Guard               | Plastic               |
| 20   | CF      | Reducer                   |                       |
| 21   | TA-5822 | Stroke Adjustor           | C1213 C.R.S.          |
| 22   | TA-5824 | Stroke Adjustor Lock Nut  | 416SS                 |
| 23   | TA-2825 | Adjusting Screw           | 416SS                 |
| 24   | TC-2070 | Coupling Cover            | Plastic               |
| 25   | TA-1836 | Coupling                  | Steel                 |
| 26   | TA-5937 | Key                       | Steel                 |
| 27   | TA-5937 | Key                       | Steel                 |
| 28   | TA-5950 | Tandem Shaft              | Steel                 |
| 29   | TA-5953 | Drive Clip                | Steel                 |
| 30   | CF      | Motor 1/2 HP              |                       |

| Plunger Size | Strokes Per Minute | Maximum Discharge Press |        | Gallons Per Day (Liters) |         |      |      |     |
|--------------|--------------------|-------------------------|--------|--------------------------|---------|------|------|-----|
|              |                    | PSI                     | (Bars) | Maximum                  | Minimum |      |      |     |
| 3/16"        | 15                 | 6000                    | (414)  | 2.4                      | (9)     | .2   | (1)  |     |
|              | 30                 | 6000                    | (414)  | 4.9                      | (19)    | .5   | (2)  |     |
|              | 60                 | 6000                    | (414)  | 9.8                      | (37)    | 1.0  | (4)  |     |
| 1/4"         | 120                | 4000                    | (275)  | 18.7                     | (71)    | 1.9  | (7)  |     |
|              | 1/4"               | 15                      | 3200   | (221)                    | 4.3     | (16) | .4   | (2) |
|              |                    | 30                      | 4000   | (275)                    | 8.6     | (33) | .9   | (3) |
| 60           |                    | 4000                    | (275)  | 17.3                     | (65)    | 1.7  | (7)  |     |
| 3/8"         | 120                | 2100                    | (145)  | 34.6                     | (131)   | 3.5  | (13) |     |
|              | 3/8"               | 15                      | 1450   | (100)                    | 9.8     | (37) | 1.0  | (4) |
|              |                    | 30                      | 1800   | (124)                    | 19.6    | (74) | 2.0  | (7) |
| 60           |                    | 1700                    | (117)  | 39.2                     | (148)   | 3.9  | (15) |     |
| 1/2"         | 120                | 950                     | (65)   | 78.5                     | (297)   | 7.8  | (30) |     |
|              | 1/2"               | 15                      | 82     | (56)                     | 17.4    | (66) | 1.7  | (7) |
|              |                    | 30                      | 1025   | (71)                     | 34.8    | (88) | 3.5  | (9) |
| 60           |                    | 1000                    | (70)   | 69.7                     | (264)   | 7.0  | (26) |     |
|              | 120                | 525                     | (36)   | 139.5                    | (528)   | 13.9 | (53) |     |

\* For 50 cycle motors multiply above volumes by .8

## Gear Reducer Oil Levels

| Item | Description       | Material | Part Number |         |         |         |
|------|-------------------|----------|-------------|---------|---------|---------|
|      |                   |          | 3/16"       | 1/4"    | 3/8"    | 1/2"    |
| 1    | Body              | SS       | TC 2040     | TC 0291 | TC 0425 | TB 0349 |
| 2    | Gland Nut         | 303-SS   | TA 4104     | TA 4104 | TA 4104 | TA 4104 |
| 3*   | Plunger           | 17-4PH   | TA 6082     | TA 6079 | TA 6080 | TA 6081 |
| 4    | Gland             | 303-SS   | TA 5642     | TA 1463 | TA 0957 | TA 1219 |
| 5    | Plunger           | Buna-N   | TA 3969     | TA 1461 | TA 1456 | TA 0959 |
|      | Packing**         | Hard     | TA 3948     | TA 2295 | TA 1875 | TA 1874 |
|      |                   | Viton    | TA 3967     | TA 4102 | TA 4101 | TA 4103 |
|      |                   | Teflon   | TA 3966     | TA 1642 | TA 1234 | TA 1012 |
| 6*   | LockNut           | Brass    | TA 0225     | TA 0225 | TA 0225 | TA 0225 |
| 7    | Top Bushing       | 303 SS   | TA 1496     | TA 1496 | TA 1496 | TA 1496 |
| 8*   | Ball Check Spring | 316-SS   | TA 0077     | TA 0077 | TA 0077 | TA 0077 |
| 9*   | Large Ball 3/8"   | 316-SS   | TA 0054     | TA 0054 | TA 0054 | TA 0054 |
| 10*  | O-Ring            | Buna-N   | TA 0479     | TA 0479 | TA 0479 | TA 0479 |
|      |                   | Viton    | TA 2093     | TA 2093 | TA 2093 | TA 2093 |
| 11   | Top Check Seat    | 303-SS   | TB 0734     | TB 0734 | TB 0734 | TB 0734 |
| 12*  | Small Ball 1/4"   | 316-SS   | TA 0126     | TA 0126 | TA 0126 | TA 0126 |
| 13   | Bottom Bushing    | 303-SS   | TB 1213     | TB 1213 | TB 1213 | TB 1213 |
| 14   | Priming Valve     | 303-SS   | TA 5462     | TA 1497 | TA 1497 | TA 1497 |
| 15   | Gasket            | 304-SS   | TA 4394     |         |         |         |

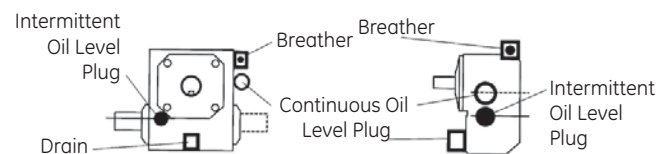
| Plunger Size | Material |       |      |       |       |       |        |       |
|--------------|----------|-------|------|-------|-------|-------|--------|-------|
|              | Buna-N   |       | Hard |       | Viton |       | Teflon |       |
|              | PSIG     | Bars  | PSIG | Bars  | PSIG  | Bars  | Psig   | Bars  |
| 3/16"        | 3000     | (207) | 6000 | (414) | 3500  | (345) | 3000   | (207) |
| 1/4"         | 2400     | (165) | 4000 | (275) | 3500  | (240) | 2400   | (165) |
| 3/8"         | 1500     | (103) | 1800 | (124) | 3500  | (240) | 1500   | (103) |
| 1/2"         | 1000     | (69)  | 1025 | (71)  | 3500  | (240) | 1000   | (69)  |

### Single Stage C-Mount

(input shaft/output shaft horizontal)

### Two-Stage - Helical C-Mount

(input shaft horizontal)



## Reducer Oil Change

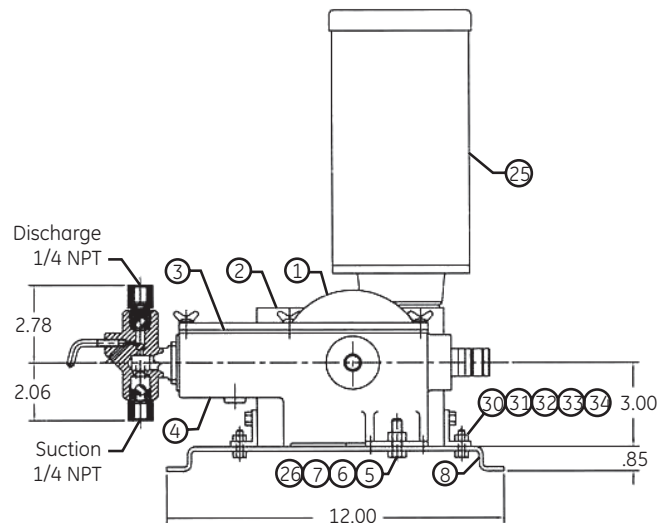
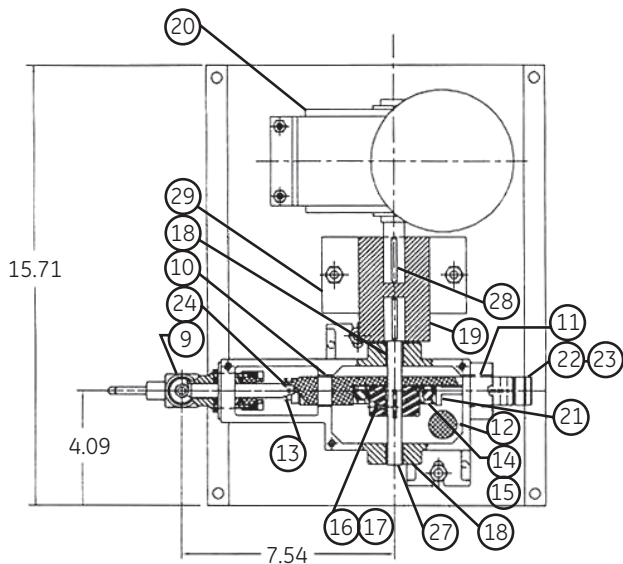
- Continuous run units: Change every 2,000 hours
- Intermittent units: Change every 2,500 running hours for six months
- Use Mobil cylinder 600W, or Texaco meriopia 460 for 32°F to 100°F, or Mobil SHC 634 for 0°F to 135°F or an equivalent major oil brand.

**Use intermittent (or "high") oil level for operation of 800 rpm or less or for input shaft speed of 800 rpm or less.**

# Series 2500 Simplex

## Parts List

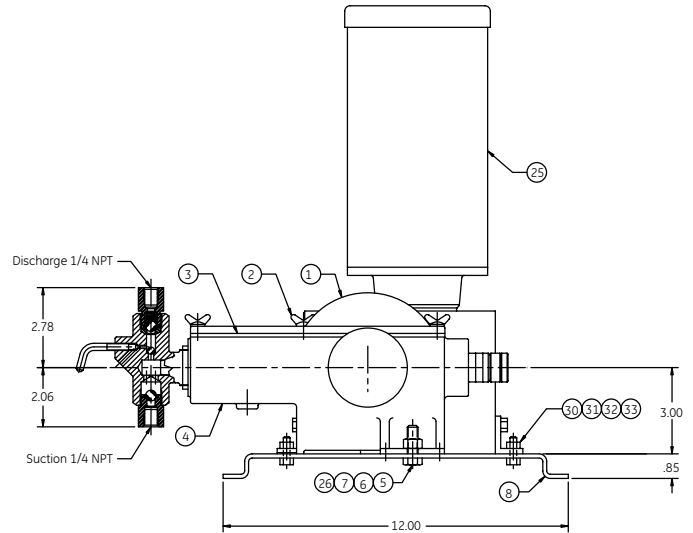
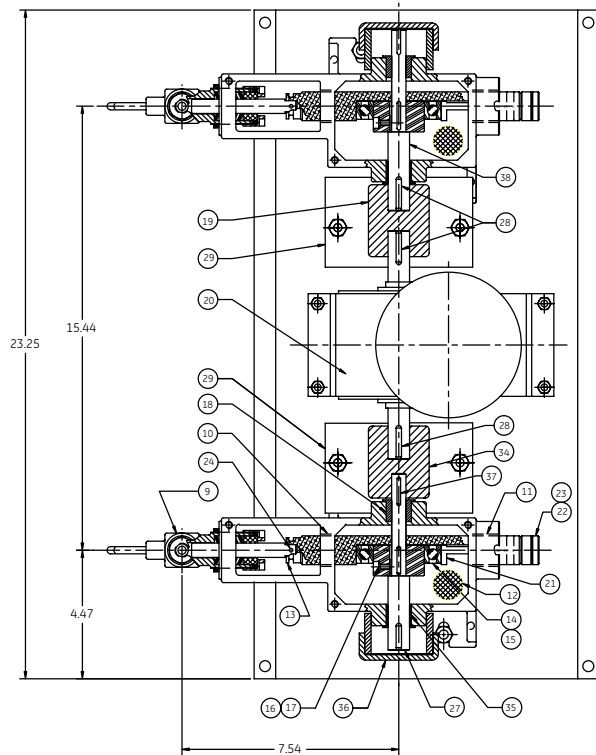
| Item | Part No.        | No. Reqd. | Name                 | Material           |
|------|-----------------|-----------|----------------------|--------------------|
| 1    | TB-1483         | 1         | Cover                | ASTM A48 C.I.      |
| 2    | P86-025075-0200 | 3         | Thumbscr.            | Cad. Pl. Steel     |
| 3    | TA-5963         | 1         | Gasket Cover         | Nitrile            |
| 4    | TC-2048         | 1         | Housing              | ASTM A48 C.I.      |
| 5    | P01-031125-3900 | 2         | HHCS 5/16-18         | SS                 |
| 6    | P25-031000-3900 | 2         | Nut Hex 5/16-18      | Cad. Pl. Steel     |
| 7    | P53-031000-3900 | 2         | Cut Washer 5/16      | Cad. Pl. Steel     |
| 8    | TC-2197         | 1         | Base Plate           | Galv. Steel        |
| 9    | TB-0755         | 1         | 1/4 SS LP Head Assy. | 316 SS             |
| 10   | TA-5964         | 1         | Cross Head Bearing   | Nylon              |
| 11   | TA-5965         | 1         | Cross Head Bearing   | Nylon              |
| 12   | TA-5966         | 1         | Screen               | SS                 |
| 13   | TB-1542         | 1         | Cross Head           | AISI 4140 HR Steel |
| 14   | TA-5823         | 1         | Eccentric Cam        | C 1018 Steel       |
| 15   | TA-5830         | 1         | Roller Bearing       | Steel              |
| 16   | P20-025050-0200 | 1         | St. Scr.             | Carbon Steel       |
| 17   | TA-6386         | 1         | Key                  | Carbon Steel       |
| 18   | TA-6713         | 2         | Sleeve Bearing       | Reinforced Steel   |
| 19   | TA-6714         | 1         | Coupling             | Steel              |
| 20   |                 | 1         | Reducer              |                    |
| 21   | TA-5822         | 1         | Stroke Adjustor      | C1213 C.R.S        |
| 22   | TA-5824         | 1         | Lock Nut Stroke Adj. | 416 SS             |
| 23   | TA-5825         | 1         | Adjusting Screw      | 416 SS             |
| 24   | TA-5953         | 1         | Drive Clip           | Steel              |
| 25   |                 | 1         | Motor- 1/2 HP        |                    |
| 26   | P52-031000-3900 | 2         | Lock Washer 5/16     | Cad. Pl. Steel     |
| 27   | TB-1677         | 1         | Drive Shaft          | Steel              |
| 28   | TA-6720         | 2         | Drive Shaft Key      | Steel              |
| 29   | TB-1700         | 1         | Coupling Guard       | Plastic            |
| 30   | P01-037125-3900 | 4         | HHCS 3/8-16          |                    |
| 31   | P25-037000-3900 | 4         | Nut Hex 3/8-16       |                    |
| 32   | P53-037000-3900 | 4         | Cut Washer 3/8       |                    |
| 33   | P52-037000-3900 | 4         | Lock Washer 3/8      |                    |
| 34   | TA-6716         | 4         | Spacer               |                    |



# Series 2500 Duplex

## Parts List

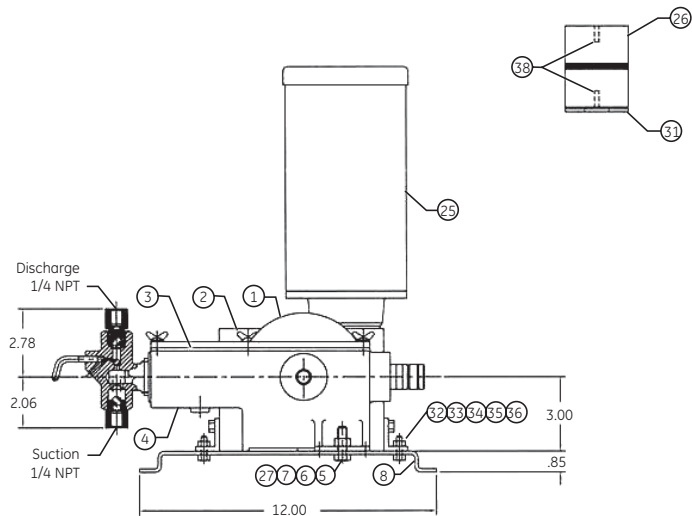
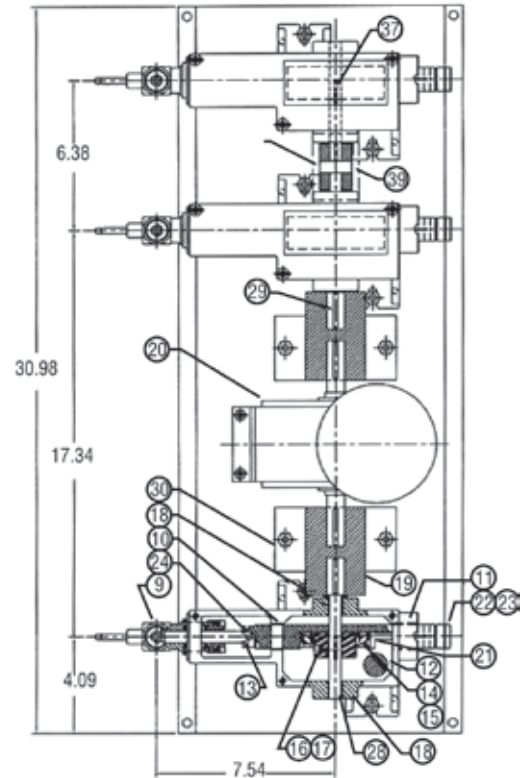
| Item | Part No.        | No. Reqd. | Name                 | Material           |
|------|-----------------|-----------|----------------------|--------------------|
| 1    | TB-1483         | 2         | Cover                | ASTM A48 C.I.      |
| 2    | P86-025075-0200 | 6         | Thumbscr.            | Cad. Pl. Steel     |
| 3    | TA-5963         | 2         | Gasket Cover         | Nitrile            |
| 4    | TC-2048         | 2         | Housing              | ASTM A48 C.I.      |
| 5    | P01-031125-3900 | 4         | HHCS 5/16-18         | SS                 |
| 6    | P25-031000-3900 | 4         | Nut Hex 5/16-18      | SS                 |
| 7    | P53-031000-3900 | 4         | Cut Washer 5/16      | SS                 |
| 8    | TC-2197         | 1         | Base Plate           | Galv. Steel        |
| 9    | TB-0755         | 2         | 1/4 SS LP Head Assy. | 316 SS             |
| 10   | TA-5964         | 2         | Cross Head Bearing   | Nylon              |
| 11   | TA-5965         | 2         | Cross Head Bearing   | Nylon              |
| 12   | TA-5966         | 2         | Screen               | SS                 |
| 13   | TB-1542         | 2         | Cross Head           | AISI 4140 HR Steel |
| 14   | TA-5823         | 2         | Eccentric Cam        | C 1018 Steel       |
| 15   | TA-5830         | 2         | Roller Bearing       | Steel              |
| 16   | P20-025050-0200 | 2         | St. Scr.             | Cad. Pl. Steel     |
| 17   | TA-6386         | 2         | Key                  | Steel              |
| 18   | TA-6935         | 2         | Sleeve Bearing-Small | Nylon              |
| 19   | TA-6714         | 1         | Coupling-Drive       | Steel              |
| 20   |                 | 1         | Reducer              |                    |
| 21   | TA-5822         | 2         | Stroke Adjustor      | C1213 C.R.S        |
| 22   | TA-5824         | 2         | Lock Nut Stroke Adj. | 416 SS             |
| 23   | TA-5825         | 2         | Adjusting Screw      | 416 SS             |
| 24   | TA-5953         | 2         | Drive Clip           | Steel              |
| 25   |                 | 1         | Motor-1/2 HP         |                    |
| 26   | P52-031000-3900 | 4         | Lock Washer 5/16     | SS                 |
| 27   | TB-1735         | 1         | Drive Shaft - DPLX   | 17-4PH. SS         |
| 28   | TA-6720         | 3         | Drive Shaft Key      | Steel              |
| 29   | TB-1736         | 2         | Coupling Guard       | Galv. Steel        |
| 30   | P01-037125-3900 | 4         | HHCS 3/8-16          | SS                 |
| 31   | P25-037000-3900 | 4         | Nut Hex 3/8-16       | SS                 |
| 32   | P53-037000-3900 | 4         | Cut Washer 3/8       | SS                 |
| 33   | P52-037000-3900 | 4         | Lock Washer 3/8      | SS                 |
| 34   | TA-6953         | 1         | Coupling-Drive       | Steel              |
| 35   | TA-6936         | 2         | Sleeve Bearing-Large | Nylon              |
| 36   | TA-6938         | 2         | Shaft End Cap        | Plastic            |
| 37   | TA-5937         | 1         | Shaft Key            | Steel              |
| 38   | TB-1734         | 1         | Drive Shaft - SPLX   | 17-4CPH. SS        |



# Series 2500 Triplex

## Parts List

| Item | Part No.        | No. Req'd. | Name                  | Material           |
|------|-----------------|------------|-----------------------|--------------------|
| 1    | TB-1483         | 3          | Cover                 | ASTM A48 C.I.      |
| 2    | P86025075-0200  | 9          | Thumbscr.             | Cad. Pl. Steel     |
| 3    | TA-5963         | 3          | Gasket Cover          | Nitrile            |
| 4    | TC-2048         | 3          | Housing               | ASTM A48 C.I.      |
| 5    | P01-031125-3900 | 6          | HHCS 5/16-18          | SS                 |
| 6    | P25-031000-3900 | 6          | Nut Hex 5/16-18       | SS                 |
| 7    | P53-031000-3900 | 6          | Cut Washer 5/16       | SS                 |
| 8    | TC-2197         | 1          | Base Plate            | Galv. Steel        |
| 9    | TB-0755         | 3          | 1/4 SS LP Head Assy.  | 316 SS             |
| 10   | TA-5964         | 3          | Cross Head Bearing    | Nylon              |
| 11   | TA-5965         | 3          | Cross Head Bearing    | Nylon              |
| 12   | TA-5966         | 3          | Screen                | SS                 |
| 13   | TB-1542         | 3          | Cross Head            | AISI 4140 HR Steel |
| 14   | TA-5823         | 3          | Eccentric Cam         | C 1018 Steel       |
| 15   | TA-5830         | 3          | Roller Bearing        | Steel              |
| 16   | P20-025050-0200 | 3          | St. Scr.              | Cad. Pl. Steel     |
| 17   | TA-6386         | 3          | Key                   | Steel              |
| 18   | TA-6935         | 3          | Sleeve Bearing, Small | Nylon              |
| 19   | TA-6714         | 1          | Coupling Drive        | Steel              |
| 20   |                 | 1          | Reducer               |                    |
| 21   | TA-5822         | 3          | Stroke Adjustor       | C1213 C.R.S        |
| 22   | TA-5824         | 3          | Lock Nut Stroke Adj.  | 416 SS             |
| 23   | TA-5825         | 3          | Adjusting Screw       | 416 SS             |
| 24   | TA-5953         | 3          | Drive Clip            | Steel              |
| 25   |                 | 1          | Motor- 1/2 HP         |                    |
| 26   | P52-031000-3900 | 6          | Lock Washer 5/16      | SS                 |
| 27   | TB-1735         | 1          | Drive Shaft - DPLX    | 17-4 PH. SS        |
| 28   | TA-6720         | 6          | Drive Shaft Key       | Steel              |
| 29   | TB-1736         | 1          | Coupling Guard        | Galv. Steel        |
| 30   | P01-037125-3900 | 3          | HHCS 3/8-16           | SS                 |
| 31   | P25-037000-3900 | 3          | Nut Hex 3/8-16        | SS                 |
| 32   | P53-037000-3900 | 3          | Cut Washer 3/8        | SS                 |
| 33   | P52-037000-3900 | 3          | Lock Washer 3/8       | SS                 |
| 34   | TA-6953         | 1          | Coupling Drive        | Steel              |
| 35   | TA-6936         | 3          | Sleeve Bearing, Large | Nylon              |
| 36   | TA-6938         | 1          | Shaft End Cap         | Plastic            |
| 37   | TA-5937         | 3          | Shaft Key             | Steel              |
| 38   | TB-1734         | 1          | Drive Shaft - Splx.   | 17-4 PH. SS        |
| 39   | TA-6954         | 1          | Coupling Drive        | Steel              |
| 40   | TC-2070         | 1          | Coupling Guard        | Plastic            |
| 41   | TA-4251         | 1          | Spacer                | Nylon              |

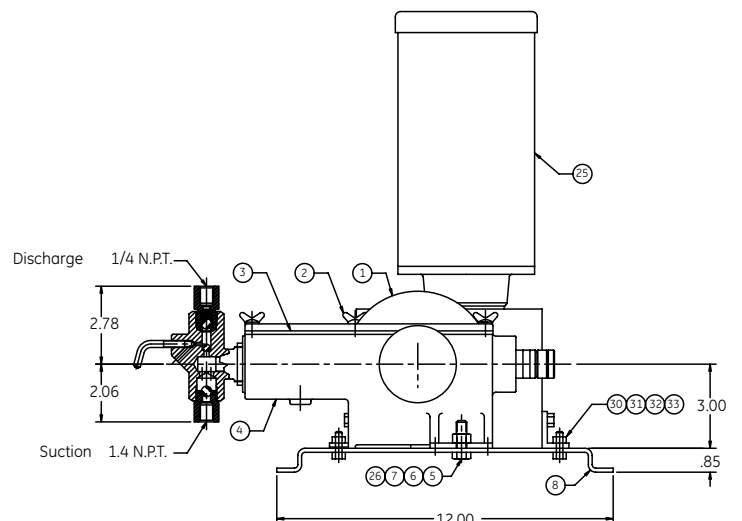
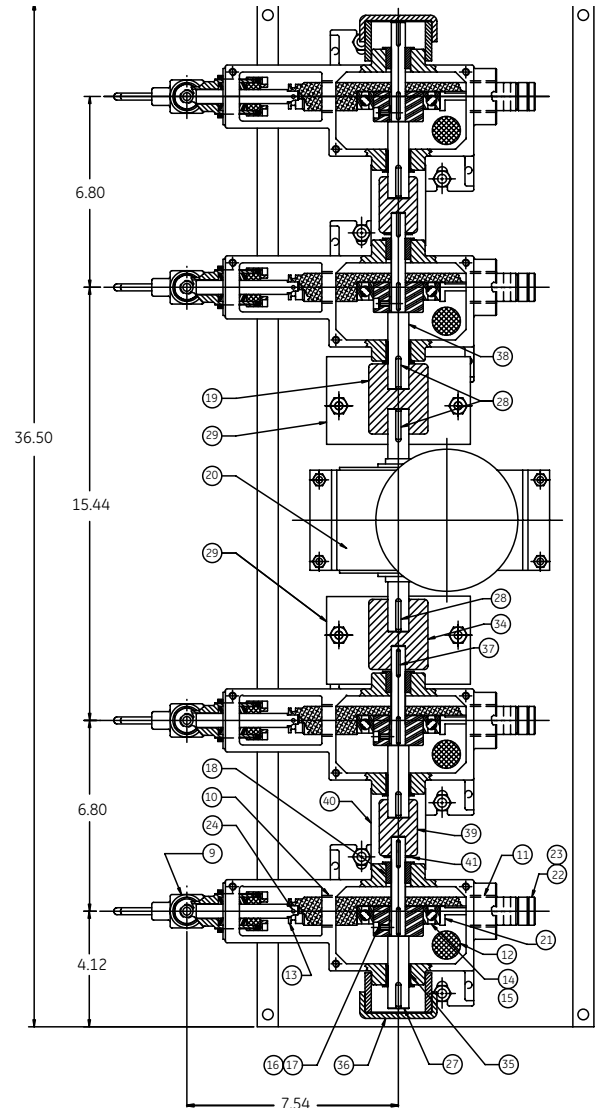




# Series 2500 Quadruplex

## Parts List

| Item | Part No.        | No. Req'd. | Name                  | Material           |
|------|-----------------|------------|-----------------------|--------------------|
| 1    | TB-1483         | 4          | Cover                 | ASTM A48 C.I.      |
| 2    | P86025075-0200  | 12         | Thumbscr.             | Cad. Pl. Steel     |
| 3    | TA-5963         | 4          | Gasket Cover          | Nitrile            |
| 4    | TC-2048         | 4          | Housing               | ASTM A48 C.I.      |
| 5    | P01-031125-3900 | 8          | HHCS 5/16-18          | SS                 |
| 6    | P25-031000-3900 | 8          | Nut Hex 5/16-18       | SS                 |
| 7    | P53-031000-3900 | 8          | Cut Washer 5/16       | SS                 |
| 8    | TC-2197         | 1          | Base Plate            | Galv. Steel        |
| 9    | TB-0755         | 4          | 1/4 SS LP Head Assy.  | 316 SS             |
| 10   | TA-5964         | 4          | Cross Head Bearing    | Nylon              |
| 11   | TA-5965         | 4          | Cross Head Bearing    | Nylon              |
| 12   | TA-5966         | 4          | Screen                | SS                 |
| 13   | TB-1542         | 4          | Cross Head            | AISI 4140 HR Steel |
| 14   | TA-5823         | 4          | Eccentric Cam         | C 1018 Steel       |
| 15   | TA-5830         | 4          | Roller Bearing        | Steel              |
| 16   | P20-025050-0200 | 4          | St. Scr.              | Cad. Pl. Steel     |
| 17   | TA-6386         | 4          | Key                   | Steel              |
| 18   | TA-6935         | 4          | Sleeve Bearing, Small | Nylon              |
| 19   | TA-6714         | 1          | Coupling Drive        | Steel              |
| 20   |                 | 1          | Reducer               |                    |
| 21   | TA-5822         | 4          | Stroke Adjustor       | C1213 C.R.S        |
| 22   | TA-5824         | 4          | Lock Nut Stroke Adj.  | 416 SS             |
| 23   | TA-5825         | 4          | Adjusting Screw       | 416 SS             |
| 24   | TA-5953         | 4          | Drive Clip            | Steel              |
| 25   |                 | 1          | Motor-1/2 HP          |                    |
| 26   | P52-031000-3900 | 8          | Lock Washer 5/16      | SS                 |
| 27   | TB-1735         | 2          | Drive Shaft - DPLX    | 17-4 PH. SS        |
| 28   | TA-6720         | 5          | Drive Shaft Key       | Steel              |
| 29   | TB-1736         | 2          | Coupling Guard        | Galv. Steel        |
| 30   | P01-037125-3900 | 4          | HHCS 3/8-16           | SS                 |
| 31   | P25-037000-3900 | 4          | Nut Hex 3/8-16        | SS                 |
| 32   | P53-037000-3900 | 4          | Cut Washer 3/8        | SS                 |
| 33   | P52-037000-3900 | 4          | Lock Washer 3/8       | SS                 |
| 34   | TA-6953         | 1          | Coupling Drive        | Steel              |
| 35   | TA-6936         | 4          | Sleeve Bearing, Large | Nylon              |
| 36   | TA-6938         | 2          | Shaft End Cap         | Plastic            |
| 37   | TA-5937         | 3          | Shaft Key             | Steel              |
| 38   | TB-1734         | 2          | Drive Shaft - Splx.   | 17-4 PH. SS        |
| 39   | TA-6954         | 2          | Coupling Drive        | Steel              |
| 40   | TC-2070         | 2          | Coupling Guard        | Plastic            |
| 41   | TA-4251         | 2          | Spacer                | Nylon              |



# Installation and Start-Up Instructions

## Installation

### Pump Location - An Important Factor

- Plan ahead for proper pump mounting-position it to provide for efficient routing of suction and discharge lines, as well as electrical service
- Avoid long suction lines
- Provide for a flooded suction line whenever possible
- Pump fluid lines and connections operate best when there is a minimum restriction to the medium flow
- Install the proper electrical starters and disconnect switches
- It is recommended that a solid mounting support be provided—take advantage of the factory installed holes in the base plate for securing the pump

### Fluid End

- All fluid connections, both suction and discharge, should be sealed tight. Fluid end connections are 1/4" NPT
- The suction connection is at the bottom of the fluid end, and the discharge connection is at the top.

### Motor

- A conduit connection is provided at the motor for electrical connections.
- Assure the proper electrical service has been provided
- Assure all connections are tight, in their proper location, properly grounded, and fused

### Gear Reducer

- Check the oil level of the gear reducer
- If the oil level is below the output shaft oil plug, refill to the plug with Mobil SHC 634
- For low temperature applications, use Mobil SHC 624

## Start Up

- Open the priming valve on the fluid end assembly
- Start the pump motor
- Allow the pump to run until a clear, bubbleless stream of media comes out of the priming valve
- Close the priming valve
- Check the packing for proper sealing. If it leaks, stop the pump and make the necessary adjustments.
- Adjust the stroke adjustment knob to obtain the desired flow rate.

## Preventive Maintenance

- Check periodically (minimum once a month) and apply a small amount of grease to the cam bearing and to the crosshead areas that cycle through the linear bearings.
- Check the packing regularly. If leakage is observed, stop the pump. Make a small adjustment by turning the gland nut. Restart the pump. (Do not over-tighten the packing as this will reduce the packing life and possibly damage the plunger.

**It is always important to assure the packing material is compatible with the media being pumped – check for swollen or deteriorated seals.**



# DIRECT SALES OFFICE LOCATIONS

## AUSTRALIA

Brisbane:  
Phone: +61-7-3001-4319  
Fax: +61-7-3001-4399

Perth:  
Phone: +61-8-6595-7018  
Fax: +61 8 6595-7299

Melbourne:  
Phone: +61-3-8807-6002  
Fax: +61-3-8807-6577

## BELGIUM

Phone: +32-2-344-0970  
Fax: +32-2-344-1123

## BRAZIL

Phone: +55-11-2146-3600  
Fax: +55-11-2146-3610

## CHINA

Phone: +86-10-5689-3600  
Fax: +86-10-5689-3800

## FRANCE

Courbevoie  
Phone: +33-1-4904-9000  
Fax: +33-1-4904-9010

## GERMANY

Ratingen  
Phone: +49-2102-108-0  
Fax: +49-2102-108-111

## INDIA

Mumbai  
Phone: +91-22-8354790  
Fax: +91-22-8354791

## New Delhi

Phone: +91-11-2-6164175  
Fax: +91-11-5-1659635

## ITALY

Phone: +39-081-7892-111  
Fax: +39-081-7892-208

## JAPAN

Chiba  
Phone: +81-43-297-9222  
Fax: +81-43-299-1115

## KOREA

Phone: +82-2-2274-0748  
Fax: +82-2-2274-0794

## MALAYSIA

Phone: +60-3-2161-0322  
Fax: +60-3-2163-6312

## MEXICO

Phone: +52-55-3640-5060

## THE NETHERLANDS

Phone: +31-15-3808666  
Fax: +31-18-1641438

## RUSSIA

Veliky Novgorod  
Phone: +7-8162-55-7898  
Fax: +7-8162-55-7921

## Moscow

Phone: +7 495-585-1276  
Fax: +7 495-585-1279

## SAUDI ARABIA

Phone: +966-3-341-0278  
Fax: +966-3-341-7624

## SINGAPORE

Phone: +65-6861-6100  
Fax: +65-6861-7172

## SOUTH AFRICA

Phone: +27-11-452-1550  
Fax: +27-11-452-6542

## SOUTH & CENTRAL

AMERICA AND THE CARIBBEAN  
Phone: +55-12-2134-1201  
Fax: +55-12-2134-1238

## SPAIN

Phone: +34-93-652-6430  
Fax: +34-93-652-6444

## UNITED ARAB EMIRATES

Phone: +971-4-8991-777  
Fax: +971-4-8991-778

## UNITED KINGDOM

Bracknell  
Phone: +44-1344-460-500  
Fax: +44-1344-460-537

## Skelmersdale

Phone: +44-1695-526-00  
Fax: +44-1695-526-01

## UNITED STATES

Massachusetts  
Phone: +1-508-586-4600  
Fax: +1-508-427-8971

## Corpus Christi, Texas

Phone: +1-361-881-8182  
Fax: +1-361-881-8246

## Deer Park, Texas

Phone: +1-281-884-1000  
Fax: +1-281-884-1010

## Houston, Texas

Phone: +1-281-671-1640  
Fax: +1-281-671-1735



## GE Oil & Gas

2822 S. 1030 West  
Salt Lake City, UT 84119  
T: +1 801.487.2225  
F: +1 801.487.2587  
mooney.inquiries@ge.com

Visit us online at: [www.geoilandgas.com/valves](http://www.geoilandgas.com/valves)

\*Denotes a trademark of General Electric Company  
©2014 General Electric Company. All rights reserved.