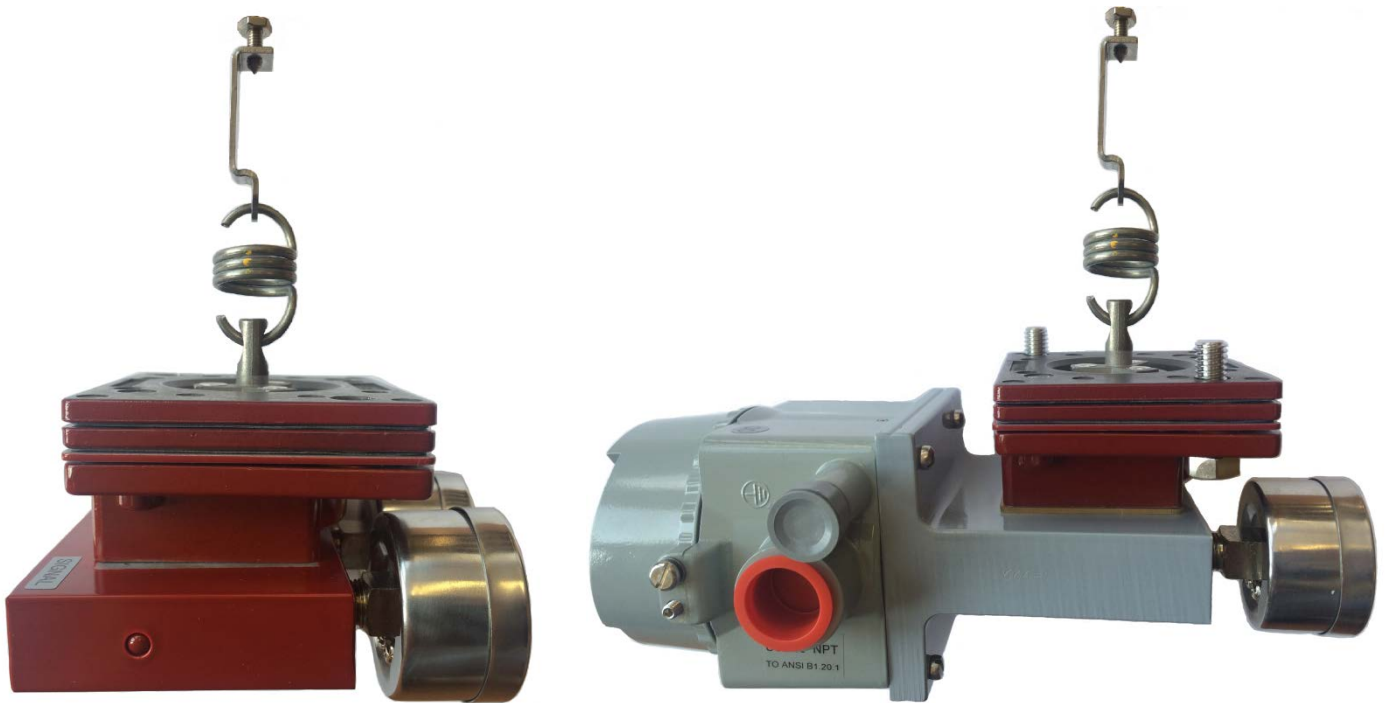


Masoneilan*

7700P/7700E Series

Pneumatic & Electro-Pneumatic Positioner
for Masoneilan* VariPak* Control Valve

Parts Supplement Information



THESE INSTRUCTIONS PROVIDE THE CUSTOMER/OPERATOR WITH IMPORTANT PROJECT-SPECIFIC REFERENCE INFORMATION IN ADDITION TO THE CUSTOMER/OPERATOR'S NORMAL OPERATION AND MAINTENANCE PROCEDURES. SINCE OPERATION AND MAINTENANCE PHILOSOPHIES VARY, GE (GENERAL ELECTRIC COMPANY AND ITS SUBSIDIARIES AND AFFILIATES) DOES NOT ATTEMPT TO DICTATE SPECIFIC PROCEDURES, BUT TO PROVIDE BASIC LIMITATIONS AND REQUIREMENTS CREATED BY THE TYPE OF EQUIPMENT PROVIDED.

THESE INSTRUCTIONS ASSUME THAT OPERATORS ALREADY HAVE A GENERAL UNDERSTANDING OF THE REQUIREMENTS FOR SAFE OPERATION OF MECHANICAL AND ELECTRICAL EQUIPMENT IN POTENTIALLY HAZARDOUS ENVIRONMENTS. THEREFORE, THESE INSTRUCTIONS SHOULD BE INTERPRETED AND APPLIED IN CONJUNCTION WITH THE SAFETY RULES AND REGULATIONS APPLICABLE AT THE SITE AND THE PARTICULAR REQUIREMENTS FOR OPERATION OF OTHER EQUIPMENT AT THE SITE.

THESE INSTRUCTIONS DO NOT PURPORT TO COVER ALL DETAILS OR VARIATIONS IN EQUIPMENT NOR TO PROVIDE FOR EVERY POSSIBLE CONTINGENCY TO BE MET IN CONNECTION WITH INSTALLATION, OPERATION OR MAINTENANCE. SHOULD FURTHER INFORMATION BE DESIRED OR SHOULD PARTICULAR PROBLEMS ARISE WHICH ARE NOT COVERED SUFFICIENTLY FOR THE CUSTOMER/OPERATOR'S PURPOSES THE MATTER SHOULD BE REFERRED TO GE.

THE RIGHTS, OBLIGATIONS AND LIABILITIES OF GE AND THE CUSTOMER/OPERATOR ARE STRICTLY LIMITED TO THOSE EXPRESSLY PROVIDED IN THE CONTRACT RELATING TO THE SUPPLY OF THE EQUIPMENT. NO ADDITIONAL REPRESENTATIONS OR WARRANTIES BY GE REGARDING THE EQUIPMENT OR ITS USE ARE GIVEN OR IMPLIED BY THE ISSUE OF THESE INSTRUCTIONS.

THESE INSTRUCTIONS ARE FURNISHED TO THE CUSTOMER/OPERATOR SOLELY TO ASSIST IN THE INSTALLATION, TESTING, OPERATION, AND/OR MAINTENANCE OF THE EQUIPMENT DESCRIBED. THIS DOCUMENT SHALL NOT BE REPRODUCED IN WHOLE OR IN PART WITHOUT THE WRITTEN APPROVAL OF GE.

Table of Contents

- 1. Positioner Drawings _____ 5
- 2. Positioner Models _____ 6
- 3. Recommended Spare Parts _____ 6
 - 3.1. 7700P Positioner (3-15 PSI / 3-9 PSI / 9-15 PSI) _____ 6
 - 3.1.1. Aluminum _____ 6
 - 3.1.2. Stainless Steel _____ 6
 - 3.2. 7700E Positioner (4-20 mA) _____ 7
 - 3.2.1. Aluminum _____ 7
 - 3.2.2. Stainless Steel _____ 7
 - 3.3. Useful Parts _____ 7
 - 3.4. Spring Range _____ 8
- 4. 7700P (3-15 PSI) to 7700E ½" NPT Modification Kit _____ 8

About this Parts Supplement Information

- The information contained in this document is subject to change without prior notice.
- The information contained in this document, in whole or part, shall not be transcribed or copied without GE's written permission.
- Please report any errors or questions about the information in this manual to your local supplier.
- These instructions are written specifically for the 7700P/7700E positioner, and do not apply for other positioners outside of this product line.

Warranty

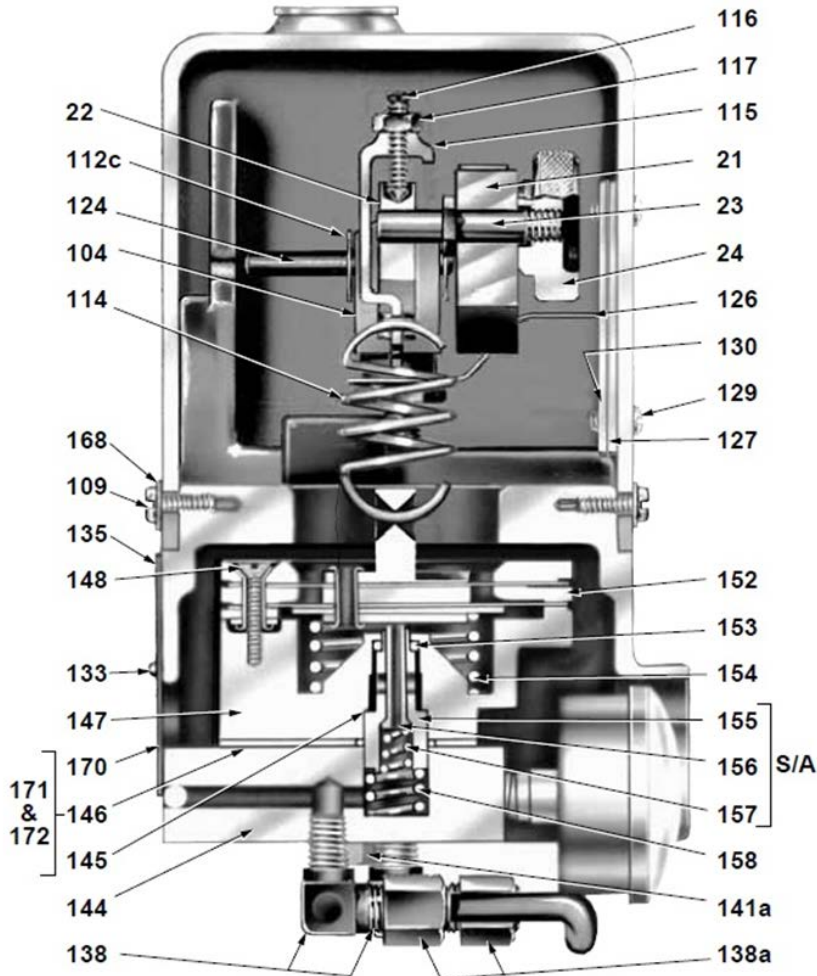
Items sold by General Electric are warranted to be free from defects in materials and workmanship for a period of one year from the date of shipment provided said items are used according to GE recommended usages. GE reserves the right to discontinue manufacture of any product or change product materials, design or specifications without notice.

Warning

Please read the safety information in instruction manual for installation in hazardous area.

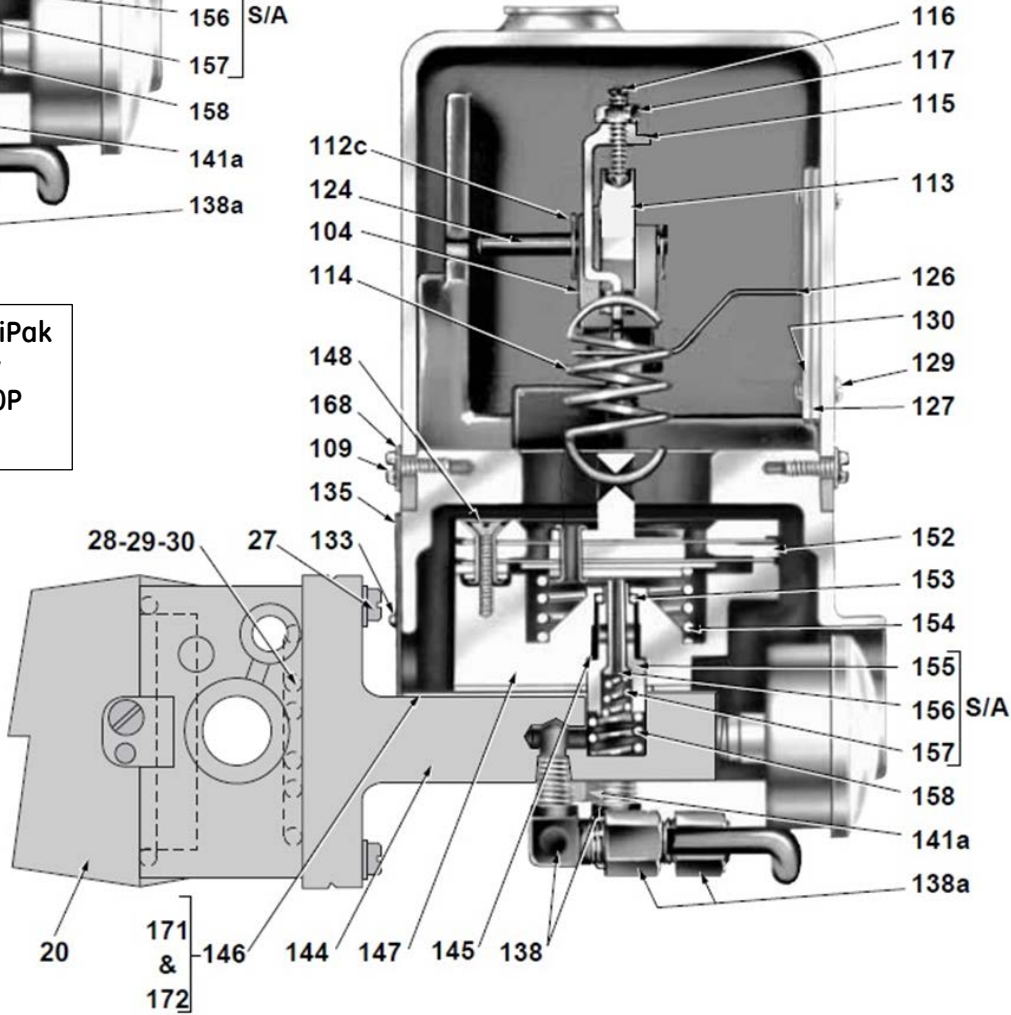
**FOR INSTALLATION & OPERATION INSTRUCTIONS, PLEASE REFER TO
MASONEILAN INSTRUCTION MANUAL FOR VARIPAK GEA30857**

1. Positioner Drawings



Cross-section of the VariPak 28002 Adjustable Cv actuator and the 7700P positioner

Cross-section of the VariPak 28001 Non-Adjustable Cv actuator and the 7700E positioner



2. Positioner Models

Standard temperature range: -40°C to 80°C (-40°F to 176°F)

Description	Varipak Model	Signal	Material	Part Number	Connection
7700P Positioner ATEX	28001 (Non-adjustable Cv)	3-15 PSI	ALUMINUM	400160129-999-0000	¼"NPT (Instrument & Supply)
			ST. ST.	400160113-999-0000	
	28002 (Adjustable Cv)		ALUMINUM	400160058-999-0000	
			ST. ST.	400160053-999-0000	
	3-9 PSI	ALUMINUM	400160056-999-0000		
		ALUMINUM	400160057-999-0000		
7700E Positioner ATEX / FM / CSA	28001 (Non-adjustable Cv)	4-20 mA	ALUMINUM	400132797-999-0000	½"NPT (electrical)
			ST. ST.	400160044-999-0000	
	28002 (Adjustable Cv)		ALUMINUM	400126154-999-0000	
			ST. ST.	400160046-999-0000	

Note: Only the most commonly used 7700P positioners are given. Others with different parameters are available on demand (low temperature, various signals, stainless steel model).

3. Recommended Spare Parts

3.1. 7700P Positioner (3-15 PSI / 3-9 PSI / 9-15 PSI)

Note: For 3-15 PSI Low T° (-55°C), the only difference in spare parts compared to the standard model is the diaphragm S/A.

3.1.1. Aluminum

Tag	Qty	Description	Part Number	Material
152	1	DIAPHRAGM S/A STD	349188110-999-0000	
		DIAPHRAGM S/A LOW T°	400129632-999-0000	
153	1	O-RING	971886150-680-0000	NITRILE
	1	O-RING S/A KIT	349279110-888-0000	
146	1	GASKET	346218000-781-0000	ALUMINUM
171	2	O-RING	971886021-680-0000	NITRILE
172	1	O-RING	971886102-680-0000	NITRILE

3.1.2. Stainless Steel

Tag	Qty	Description	Part Number	Material
152	1	DIAPHRAGM S/A STD	400116416-999-0000	
		DIAPHRAGM S/A LOW T°	400129632-999-0000	
153	1	O-RING	971886150-680-0000	NITRILE
171	2	O-RING	971886021-680-0000	NITRILE
172	1	O-RING	971886102-680-0000	NITRILE

3.2. 7700E Positioner (4-20 mA)

3.2.1. Aluminum

Tag	Qty	Description	Part Number	Material
20	1	MODULE FM / CSA / ATEX	055100212-888-0000	
31	1	VENT PLUG	055100069-888-0000	REINFORCED POLYPROPYLENE
152	1	DIAPHRAGM S/A	349188110-999-0000	
153	1	O-RING	971886150-680-0000	NITRILE
	1	O-RING FOR MODULE KIT	055100111-999-0000	
28	1	O-RING	971886184-688-0000	SILICONE
29	1	O-RING	971886404-688-0000	SILICONE
30	1	O-RING	971886129-688-0000	SILICONE
	1	O-RING S/A KIT	349279110-888-0000	
146	1	GASKET	346218000-781-0000	ALUMINUM
171	2	O-RING	971886021-680-0000	NITRILE
172	1	O-RING	971886102-680-0000	NITRILE

3.2.2. Stainless Steel

Tag	Qty	Description	Part Number	Material
20	1	MODULE FM / CSA / ATEX	400125645-888-0000	STAINLESS STEEL
31	1	VENT PLUG	055100069-888-0000	REINFORCED POLYPROPYLENE
152	1	DIAPHRAGM S/A	400116416-999-0000	
153	1	O-RING	971886150-680-0000	NITRILE
	1	O-RING FOR MODULE KIT	055100111-999-0000	
28	1	O-RING	971886184-688-0000	SILICONE
29	1	O-RING	971886404-688-0000	SILICONE
30	1	O-RING	971886129-688-0000	SILICONE
171	2	O-RING	971886021-680-0000	NITRILE
172	1	O-RING	971886102-680-0000	NITRILE

3.3. Useful Parts

These following parts are not considered as spares but are often asked.

Tag	Qty	Description	Part Number	Material
115	1	SPRING CLAMP	400076212-250-0000	AUSTENITIC STAINLESS STEEL
116	1	TAKE-UP SCREW	971442012-250-0000	
117	1	LOCKNUT	971512009-250-0000	
145	5 (see note)	SHIM	400080755-250-0000	

Note: Depending on several parameters such as the machining of the pilot S/A (Tag 155,156,157) or the stroke for example, it's possible to have less than 5 shims. This choice is made during the calibration of the positioner to obtain the best precision.

3.4. Spring Range

To change the spring range, you need to replace the following springs accordingly.

Tag	Description	Signal	P/N for 28001	P/N for 28002
K154	SPRING	3-15 / 6-30 / 3-27 PSI 4-20 mA	000041175-048A0000	
K114	FORCE BAL. SPRING		004171115-130-0000	400083759-151-0000
K154	SPRING	3-9 PSI	000041172-048A0000	
K114	FORCE BAL. SPRING		004171115-130-0000	400076205-151-0000
K154	SPRING	9-15 PSI	000041171-018A0000	
K114	FORCE BAL. SPRING		004171115-130-0000	400076205-151-0000

Note: To differentiate the force balance spring for 28001 or 28002 Varipak valves, there is a color mark painted on the spring:

- Spring range 3-15/6-30/3-27 PSI: red for 28001 and yellow for 28002.
- Spring range 3-9/9-15 PSI: red for 28001 and white for 28002.

4. 7700P (3-15 PSI) to 7700E ½" NPT Modification Kit

Tag	Qty	Description	Part Number	Material
	1	CONVERSION KIT 7700P TO 7700E	400133648-999-0000	
20	1	MODULE FM / CSA / ATEX 1/2"NPT	055100212-888-0000	
27	4	TCB N.8 32 NC SCREW	971264009-250-0000	AUSTENITIC ST. ST.
28	1	O-RING	971886184-688-0000	SILICONE
29	1	O-RING	971886404-688-0000	SILICONE
30	1	O-RING	971886129-688-0000	SILICONE
31	1	VENT PLUG	055100069-888-0000	REINFORCED POLYPROPYLENE
141b	2	H 5/16" 18UNC 2A- 35 SCREW	971002018-259-0000	316L ST. ST.
144	1	MANIFOLD BLOCK S/A	400132483-999-0000	

DIRECT SALES OFFICE LOCATIONS

AUSTRALIA Brisbane Phone: +61-7-3001-4319 Fax: +61-7-3001-4399	ITALY Phone: +39-081-7892-111 Fax: +39-081-7892-208	SOUTH AFRICA Phone: +27-11-452-1550 Fax: +27-11-452-6542
Perth Phone: +61-8-6595-7018 Fax: +61-8-6595-7299	JAPAN Tokyo Phone: +81-03-6871-9008 Fax: +81-03-6890-4620	SOUTH & CENTRAL AMERICA AND THE CARIBBEAN Phone: +55-12-2134-1201 Fax: +55-12-2134-1238
Melbourne Phone: +61-3-8807-6002 Fax: +61-3-8807-6577	KOREA Phone: +82-2-2274-0748 Fax: +82-2-2274-0794	SPAIN Phone: +34-93-652-6430 Fax: +34-93-652-6444
BELGIUM Phone: +32-2-344-0970 Fax: +32-2-344-1123	MALAYSIA Phone: +60-3-2161-03228 Fax: +60-3-2163-6312	UNITED ARAB EMIRATES Phone: +971-4-8991-777 Fax: +971-4-8991-778
BRAZIL Phone: +55-19-2104-6900	MEXICO Phone: +52-55-3640-5060	UNITED KINGDOM Bracknell Phone: +44-1344-460-500 Fax: +44-1344-460-537
CHINA Phone: +86-10-5689-3600 Fax: +86-10-5689-3800	THE NETHERLANDS Phone: +31-15-3808666 Fax: +31-18-1641438	Skelmersdale Phone: +44-1695-526-00 Fax: +44-1695-526-01
FRANCE Courbevoie Phone: +33-1-4904-9000 Fax: +33-1-4904-9010	RUSSIA Veliky Novgorod Phone: +7-8162-55-7898 Fax: +7-8162-55-7921	UNITED STATES Avon, Massachusetts Phone: +1-508-586-4600 Fax: +1-508-427-8971
GERMANY Ratingen Phone: +49-2102-108-0 Fax: +49-2102-108-111	Moscow Phone: +7 495-585-1276 Fax: +7 495-585-1279	Corpus Christi, Texas Phone: +1-361-881-8182 Fax: +1-361-881-8246
INDIA Mumbai Phone: +91-22-8354790 Fax: +91-22-8354791	SAUDI ARABIA Phone: +966-3-341-0278 Fax: +966-3-341-7624	Deer Park, Texas Phone: +1-281-884-1000 Fax: +1-281-884-1010
New Delhi Phone: +91-11-2-6164175 Fax: +91-11-5-1659635	SINGAPORE Phone: +65-6861-6100 Fax: +65-6861-7172	Houston, Texas Phone: +1-281-671-1640 Fax: +1-281-671-1735

Visit us on line:
www.geoilandgas.com/valves



*Denotes a registered trademark of the General Electric Company.
Other company names and product names used in this document are the registered trademarks or trademarks of their respective owners.

© 2016 General Electric Company. All rights reserved.

GEA32625A 06/2016
(AE-PSI 7700P/7700E A)