

Masoneilan* 77-6 Model Air Lock-up Valve

Instruction Manual



THESE INSTRUCTIONS PROVIDE THE CUSTOMER/OPERATOR WITH IMPORTANT PROJECT-SPECIFIC REFERENCE INFORMATION IN ADDITION TO THE CUSTOMER/OPERATOR'S NORMAL OPERATION AND MAINTENANCE PROCEDURES. SINCE OPERATION AND MAINTENANCE PHILOSOPHIES VARY, GE (GENERAL ELECTRIC COMPANY AND ITS SUBSIDIARIES AND AFFILIATES) DOES NOT ATTEMPT TO DICTATE SPECIFIC PROCEDURES, BUT TO PROVIDE BASIC LIMITATIONS AND REQUIREMENTS CREATED BY THE TYPE OF EQUIPMENT PROVIDED.

THESE INSTRUCTIONS ASSUME THAT OPERATORS ALREADY HAVE A GENERAL UNDERSTANDING OF THE REQUIREMENTS FOR SAFE OPERATION OF MECHANICAL AND ELECTRICAL EQUIPMENT IN POTENTIALLY HAZARDOUS ENVIRONMENTS. THEREFORE, THESE INSTRUCTIONS SHOULD BE INTERPRETED AND APPLIED IN CONJUNCTION WITH THE SAFETY RULES AND REGULATIONS APPLICABLE AT THE SITE AND THE PARTICULAR REQUIREMENTS FOR OPERATION OF OTHER EQUIPMENT AT THE SITE.

THESE INSTRUCTIONS DO NOT PURPORT TO COVER ALL DETAILS OR VARIATIONS IN EQUIPMENT NOR TO PROVIDE FOR EVERY POSSIBLE CONTINGENCY TO BE MET IN CONNECTION WITH INSTALLATION, OPERATION OR MAINTENANCE. SHOULD FURTHER INFORMATION BE DESIRED OR SHOULD PARTICULAR PROBLEMS ARISE WHICH ARE NOT COVERED SUFFICIENTLY FOR THE CUSTOMER/OPERATOR'S PURPOSES THE MATTER SHOULD BE REFERRED TO GE.

THE RIGHTS, OBLIGATIONS AND LIABILITIES OF GE AND THE CUSTOMER/OPERATOR ARE STRICTLY LIMITED TO THOSE EXPRESSLY PROVIDED IN THE CONTRACT RELATING TO THE SUPPLY OF THE EQUIPMENT. NO ADDITIONAL REPRESENTATIONS OR WARRANTIES BY GE REGARDING THE EQUIPMENT OR ITS USE ARE GIVEN OR IMPLIED BY THE ISSUE OF THESE INSTRUCTIONS.

THESE INSTRUCTIONS ARE FURNISHED TO THE CUSTOMER/OPERATOR SOLELY TO ASSIST IN THE INSTALLATION, TESTING, OPERATION, AND/OR MAINTENANCE OF THE EQUIPMENT DESCRIBED. THIS DOCUMENT SHALL NOT BE REPRODUCED IN WHOLE OR IN PART TO ANY THIRD PARTY WITHOUT THE WRITTEN APPROVAL OF GE.

Safety Information

Important - Please Read Before Installation

These instructions contain **DANGER**, **WARNING**, and **CAUTION** labels, where necessary, to alert you to safety related or other important information. Read the instructions carefully **before** installing and maintaining your control valve. **DANGER** and **WARNING** hazards are related to personal injury. **CAUTION** hazards involve equipment or property damage. Operation of damaged equipment can, under certain operational conditions, result in degraded process system performance that can lead to injury or death. Total compliance with all **DANGER**, **WARNING**, and **CAUTION** notices is required for safe operation.



This is the safety alert symbol. It alerts you to potential personal injury hazards. Obey all safety messages that follow this symbol to avoid possible injury or death.

DANGER

Indicates a potentially hazardous situation which, if not avoided, could result in death or serious injury.

WARNING

Indicates a potentially hazardous situation which, if not avoided, could result in serious injury.

CAUTION

Indicates a potentially hazardous situation which, if not avoided, could result in minor or moderate injury.

CAUTION

When used without the safety alert symbol indicates a potentially hazardous situation which, if not avoided, could result in property damage.

Note: Indicates important facts and conditions.

About this Manual

- The information in this manual is subject to change without prior notice.
- The information contained in this manual, in whole or part, shall not be transcribed or copied without GE's written permission.
- Please report any errors or questions about the information in this manual to your local supplier.
- These instructions are written specifically for the 77-6 Model Air Lock-up valve control valves, and do not apply for other valves outside of this product line.

Warranty

Items sold by General Electric are warranted to be free from defects in materials and workmanship for a period of one year from the date of shipment provided said items are used according to GE recommended usages. GE reserves the right to discontinue manufacture of any product or change product materials, design or specifications without notice.

This instruction manual applies to the 77-6 Model Air Lock-up valve control valves.

Note:

DANGER

- The 77-6 air lock-up valve **MUST BE** installed, put into service and maintained by qualified and competent professionals who have undergone suitable training.
- Changes to specifications, structure, and components used may not lead to the revision of this manual unless such changes affect the function and performance of the product.
- All surrounding pipe lines must be thoroughly flushed to ensure all entrained debris has been removed from the system.
- Under certain operating conditions, the use of damaged equipment could cause a degradation of the performance of the system which may lead to personal injury or death.

! WARNING

Please read these instructions carefully BEFORE this instrument is installed or maintained.

These converters are intended for use in industrial compressed air systems only. Ensure that adequate pressure relief provision is installed if application of system supply pressure could cause downstream equipment to malfunction. Installation should be in accordance with local and national compressed air and instrumentation codes.

Products certified for use in explosion-proof or intrinsically safe installations MUST:

- Be installed in accordance with local and national codes for hazardous area installations, and in accordance with this manual.
- Only be used in situations which comply with the certification conditions stated in this handbook.
- Only be maintained by qualified personnel with adequate training on hazardous area implementation. Before using these products with fluids other than air or for non- industrial applications consult GE.

Installation

! CAUTION

Do not use for air pressures exceeding 250 psi.

Prior to installing, clean all lines thoroughly to remove all dirt, scale or other foreign matter. Install the lock-up valve in the controller output line as near to the control valve diaphragm chamber as possible, holding the number of connections to a minimum—so that the air flows through the body in the direction indicated by the words INLET and OUTLET marked on the underside of valve body.

The signal pressure line should be connected upstream of the air supply regulator to provide effective response of the lock-up valve in the event of air failure. Be sure all pipe connections are tight.

! WARNING

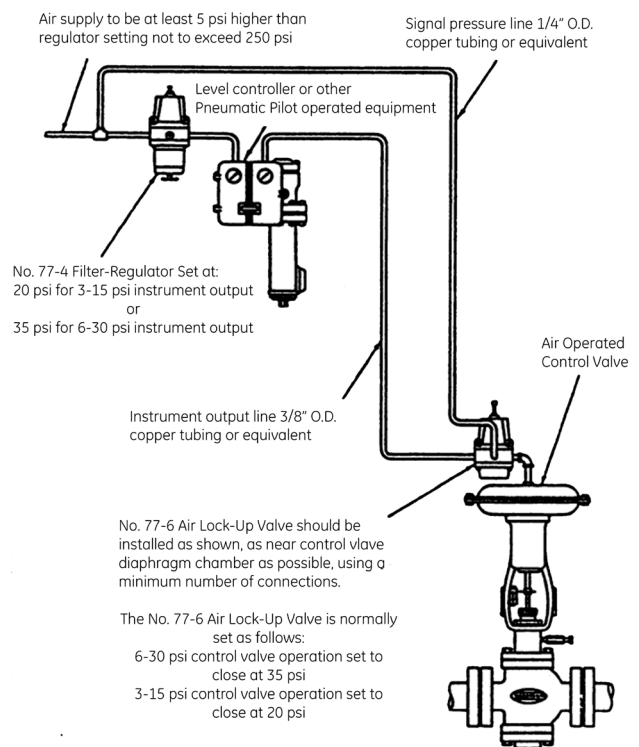
Do not install this Air Lock-up Valve in air lines which exceed 250 psi (1.72 MPa, 17.2 bar) pressure.

Adjustment

The lock-up valve is normally factory set (i.e., 20 psi for 3-15 psi operation or 35 psi for 6-30 psi operation) and should not require adjustment. If, however, it becomes necessary to adjust the setting an air supply, with a gauge and regulator, should be piped to the signal pressure connection after: (1) relieving compression on the range spring of the lock-up valve; and (2) connecting the instrument output line to the inlet connection of the lock-up valve.

Instrument output pressure need be sufficient only to determine the open and closed position of the lock-up valve. Turn the air supply pressure on until the pressure gauge indicates the desired set pressure, then turn the adjusting screw down until no air pressure may be felt coming from the outlet of the lock-up valve. The valve will be fully closed at this point.

Finally, tighten the adjusting screw locknut and connect: (1) the lock-up valve outlet connection to the control valve diaphragm chamber; and (2) the signal pressure line to the signal pressure connection of the lock-up valve. Turn on and set the air supply to operating pressure. Be sure that all pipe connections are tight.



Maintenance

Due to their design and intended application, maintenance difficulties are not expected to be encountered with these valves. If they fail to perform in a satisfactory manner, it may be due to accumulation of dirt in one or more of the parts. If necessary to disassemble, proceed as follows, after: (1) shutting off supply pressure; and (2) relieving spring compression by backing off the adjustment screw.

Remove the four body cap screws (16); body cap (15), body cap O-ring (14), range spring (3), upper spring button (2) and spring case (9) will come free from body (7).

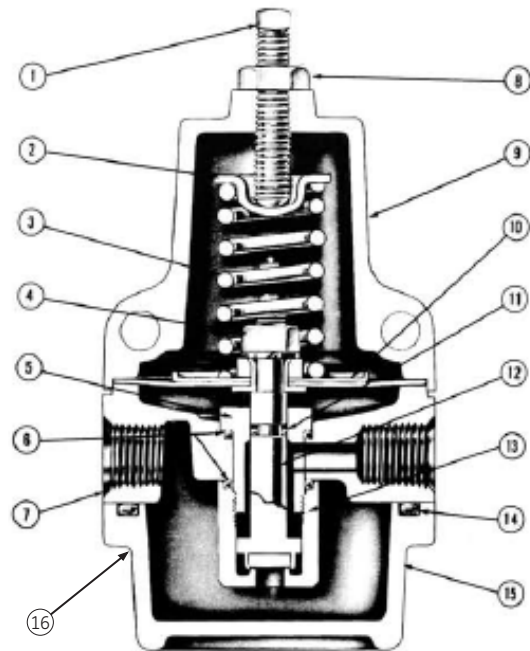
To free diaphragm S/A (10) and inlet valve S/A (12) from the body, place the wrench on the insert retainer (13) and unscrew from the body insert (5). Remove the body insert O-ring (6) and slide the diaphragm S/A, the body insert and the inlet valve S/A from the body. Holding the inlet valve from turning, unscrew inlet valve locknut (4) and remove diaphragm S/A from the inlet valve. Turn the inlet valve out of body insert.

Check all ports to be sure they are clear of dirt. Inspect

the diaphragm S/A for rupture or for damage around the edge. If necessary, install a new diaphragm S/A. Check the inlet valve for wear. If the inlet valve is roughed-up or pitted, replace with new one.

To reassemble the lock-up valve, perform all operations in reverse order to that used in disassembly. *Note: The O-ring on the inlet valve stem should be lubricated before the inlet valve is reassembled in the body insert.*

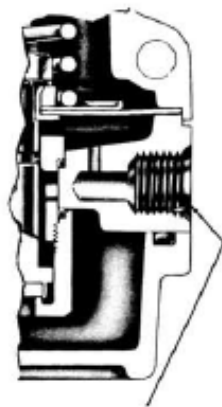
Note: Considering the high labor costs involved in replacing internal parts, it may be more economical to stock complete units.



⚠ WARNING

Prior to performing maintenance on the Air Lock-up Valve, shut off the supply pressure and remove the spring compression by backing off the adjustment screw.

It is recommended that the Air Lock-up Valve be removed from the line for repairs.



Signal Pressure

| Ref. | Qty | Part Name | Ref. | Qty | Part Name |
|------|-----|---------------------|------|-----|--------------------|
| 1 | 1 | Adjusting Screw | 9 | 1 | Spring Case |
| 2 | 1 | Upper Spring Button | 10 | 1 | Diaphragm S/A |
| 3 | 1 | Range Spring | 11 | 1 | Inlet Valve O-Ring |
| 4 | 1 | Inlet Valve Locknut | 12 | 1 | Inlet Valve S/A |
| 5 | 1 | Body Insert | 13 | 1 | Insert Retainer |
| 6 | 2 | O-Rings | 14 | 1 | Body Cap O-Ring |
| 7 | 1 | Body | 15 | 1 | Body Cap |
| 8 | 1 | Locknut | • 16 | 4 | Body Cap Screws |

• Not visible in cutaway view.

Notes

Notes

DIRECT SALES OFFICE LOCATIONS

AUSTRALIA

Brisbane:
Phone: +61-7-3001-4319
Fax: +61-7-3001-4399

Perth:
Phone: +61-8-6595-7018
Fax: +61 8 6595-7299

Melbourne:
Phone: +61-3-8807-6002
Fax: +61-3-8807-6577

BELGIUM
Phone: +32-2-344-0970
Fax: +32-2-344-1123

BRAZIL
Phone: +55-19-2104-6900

CHINA
Phone: +86-10-5689-3600
Fax: +86-10-5689-3800

FRANCE
Courbevoie
Phone: +33-1-4904-9000
Fax: +33-1-4904-9010

GERMANY
Ratingen
Phone: +49-2102-108-0
Fax: +49-2102-108-111

INDIA
Mumbai
Phone: +91-22-8354790
Fax: +91-22-8354791

New Delhi
Phone: +91-11-2-6164175
Fax: +91-11-5-1659635

ITALY

Phone: +39-081-7892-111
Fax: +39-081-7892-208

JAPAN

Tokyo
Phone: +81-03-6871-9008
Fax: +81-03-6890-4620

KOREA

Phone: +82-2-2274-0748
Fax: +82-2-2274-0794

MALAYSIA

Phone: +60-3-2161-0322
Fax: +60-3-2163-6312

MEXICO

Phone: +52-55-3640-5060

THE NETHERLANDS

Phone: +31-15-3808666
Fax: +31-18-1641438

RUSSIA

Veliky Novgorod
Phone: +7-8162-55-7898
Fax: +7-8162-55-7921

Moscow

Phone: +7 495-585-1276
Fax: +7 495-585-1279

SAUDI ARABIA

Phone: +966-3-341-0278
Fax: +966-3-341-7624

SINGAPORE

Phone: +65-6861-6100
Fax: +65-6861-7172

SOUTH AFRICA

Phone: +27-11-452-1550
Fax: +27-11-452-6542

SOUTH & CENTRAL AMERICA AND THE CARIBBEAN

Phone: +55-12-2134-1201
Fax: +55-12-2134-1238

SPAIN

Phone: +34-93-652-6430
Fax: +34-93-652-6444

UNITED ARAB EMIRATES

Phone: +971-4-8991-777
Fax: +971-4-8991-778

UNITED KINGDOM

Bracknell
Phone: +44-1344-460-500
Fax: +44-1344-460-537

Skelmersdale

Phone: +44-1695-526-00
Fax: +44-1695-526-01

UNITED STATES

Massachusetts
Phone: +1-508-586-4600
Fax: +1-508-427-8971

Corpus Christi, Texas
Phone: +1-361-881-8182
Fax: +1-361-881-8246

Deer Park, Texas
Phone: +1-281-884-1000
Fax: +1-281-884-1010

Houston, Texas
Phone: +1-281-671-1640
Fax: +1-281-671-1735

www.geoilandgas.com/valves



*Denotes a trademark of the General Electric Company.

Other company names and product names used in this document are the registered trademarks or trademarks of their respective owners.

©2016 General Electric Company. All rights reserved.

GEA31168A

09/2016