

Wellhead Housings

Pressure Control W2 Casing Spool

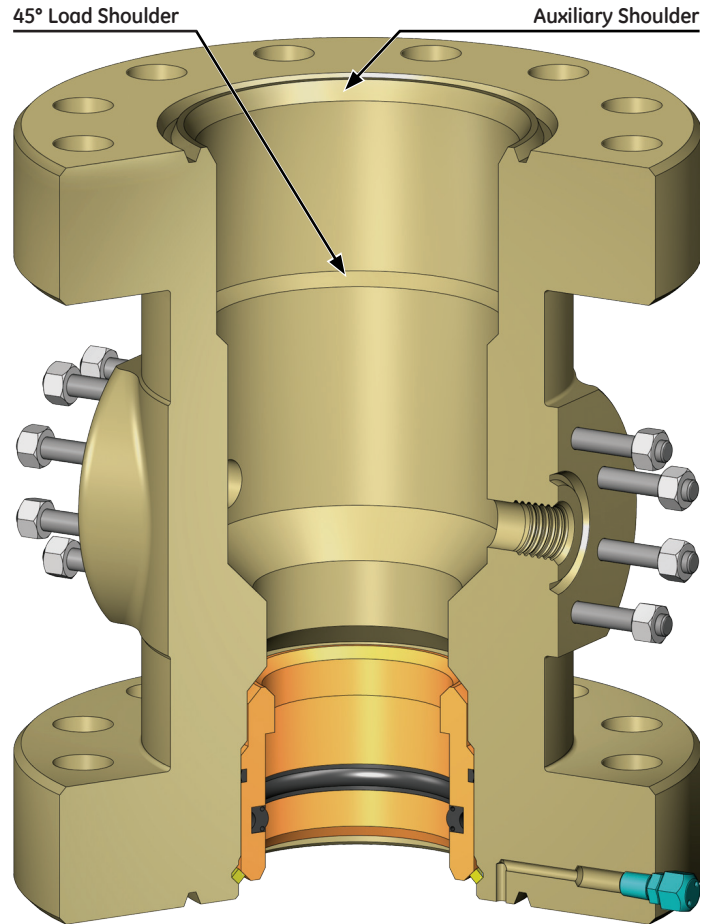
The W2 Casing Spool has a straight bowl with a high capacity 45° load shoulder. W2 casing spools are available with flanged top and bottom connections in sizes from 11" through nominal 20" and pressure ratings from 2,000 psi through 15,000 psi.

Features —

- Large auxiliary shoulder at face of upper connection will support primary seal plates or RCS secondary seals
- Accepts the full line of mandrel and slip type casing hangers including W1, W1-M and W2
- Available in a full range of trims that meet API 6A criteria for temperature, material and PSL
- Meets PR-2 test requirements
- Compatible with standard wear bushings and test plugs

Options —

- Secondary seal
 - EBS bushing (PC #05-0146)
 - Integral EBS seal (PC #04-0387)
 - Integral P seal (PC #04-0398)
 - Integral Double O seal (PC #05-0116)
 - RCS metal seal (PC #04-0388)
- End connections
 - API flanges
 - Other connections available upon request
- Outlets
 - Line pipe
 - Studded flange (with valve removal threads PC #05-0383)
 - Extended flange (with valve removal threads PC #05-0383)
- Two opposing BP lockscrews (PC #05-0225)
 - Prevent the wear bushing (bowl protector) from rotating in the bowl
 - Name designation (W2-BP) denotes use of BP lockscrews



W2 Casing Spool with EBS Bushing

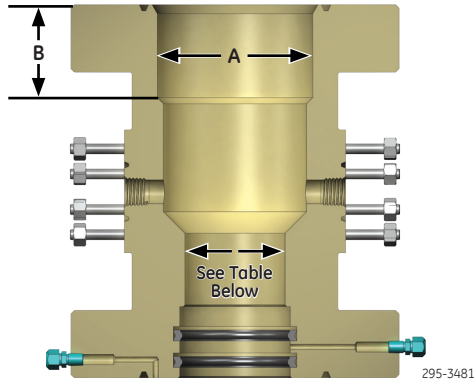
295-2712

NOTE

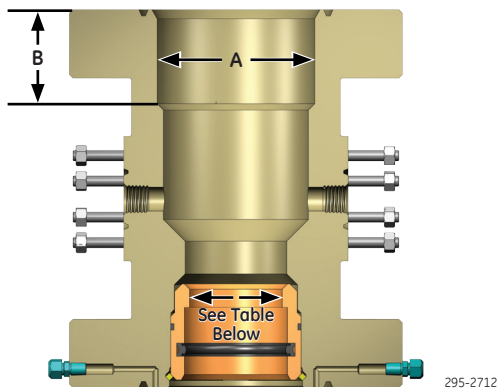
The W2-BP does not come with a full set of lockscrews. If a full set of lockscrews is required, please see the T Tubing Head Technical Bulletin (PC #05-0048).



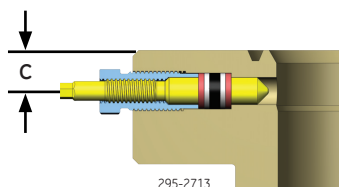
W2 Casing Spool



W2 Casing Spool with Integral Secondary Seal, such as "OO", "PP", or "EBS": Please refer to the table below for clearance bore dimensions.



W2 Casing Spool with EBS Bushing: Please refer to the table below for clearance bore dimensions.



W2-BP Casing Spool Lockscrew Detail

Availability –

Bottom Flange Size	psi	Top Flange		W2-BP			Lockscrew Diameter	Approx. Weight (lbs)	
		Size	psi	A	B	C			
11"	2,000	11"	2,000	10.88"	6.50"	1.76"	1"	570	
			3,000	10.88"	6.50"	1.70"	1-1/8"	600	
	3,000	11"	3,000	10.88"	6.50"	1.70"	1-1/8"	710	
			5,000	10.88"	6.50"	1.70"	1-1/8"	810	
	5,000	11"	5,000	10.88"	6.50"	1.70"	1-1/8"	1,284	
			10,000	10.88"	6.50"	1.58"	1-3/8"	1,700	
13-5/8"	2,000	11"	2,000	10.88"	6.50"	1.76"	1"	680	
			3,000	10.88"	6.50"	1.70"	1-1/8"	740	
		13-5/8"	2,000	13.51"	6.50"	1.82"	1"	825	
			3,000	13.51"	6.50"	1.82"	1"	930	
	3,000	11"	3,000	10.88"	6.50"	1.70"	1-1/8"	770	
			5,000	10.88"	6.50"	1.70"	1-1/8"	1,168	
		13-5/8"	3,000	13.51"	6.50"	1.82"	1"	920	
			5,000	13.51"	6.50"	1.70"	1-1/4"	1,415	
	5,000	11"	5,000	10.88"	6.50"	1.70"	1-1/8"	1,430	
			10,000	10.88"	6.50"	1.58"	1-3/8"	1,948	
		13-5/8"	5,000	13.51"	6.50"	1.70"	1-1/4"	1,715	
			10,000	13.51"	6.50"	1.62"	1-1/2"	2,400	
		10,000	11"	10,000	10.88"	6.50"	1.58"	1-3/8"	2,930
			13-5/8"	10,000	13.51"	6.50"	1.62"	1-1/2"	4,200
	16-3/4"	2,000	11"	2,000	10.88"	6.50"	1.76"	1"	855
				3,000	10.88"	6.50"	1.70"	1-1/8"	935
			13-5/8"	2,000	13.51"	6.50"	1.82"	1"	1,280
				3,000	13.51"	6.50"	1.82"	1"	1,355
3,000		11"	3,000	10.88"	6.50"	1.70"	1-1/8"	1,400	
			5,000	10.88"	6.50"	1.70"	1-1/8"	1,518	
		13-5/8"	3,000	13.51"	6.50"	1.82"	1"	1,408	
			5,000	13.51"	6.50"	1.70"	1-1/4"	1,750	
5,000		11"	5,000	10.88"	6.50"	1.70"	1-1/8"	2,145	
			10,000	10.88"	6.50"	1.58"	1-3/8"	2,640	
		13-5/8"	5,000	13.51"	6.50"	1.70"	1-1/4"	2,775	
			10,000	13.51"	6.50"	1.62"	1-1/2"	2,850	
10,000		13-5/8"	10,000	13.51"	6.50"	1.62"	1-1/2"	2,945	
		2,000	13-5/8"	2,000	13.51"	6.50"	1.82"	1"	1,825
3,000				13.51"	6.50"	1.82"	1"	2,063	
16-3/4"			2,000	16.62"	8.50"	1.64"	1-1/8"	2,180	
			3,000	16.62"	8.50"	1.64"	1-1/8"	2,405	
3,000		13-5/8"	3,000	13.51"	6.50"	1.82"	1"	2,050	
	5,000		13.51"	6.50"	1.70"	1-1/4"	2,450		
	20-3/4"	3,000	20.12"	8.50"	1.57"	1-1/4"	3,010		
	21-1/4"	5,000	20.12"	8.50"	1.64"	1-1/8"	3,250		
5,000	13-5/8"	5,000	13.51"	6.50"	1.70"	1-1/4"	2,530		
		10,000	13.51"	6.50"	1.62"	1-1/2"	5,175		
	16-3/4"	5,000	16.62"	8.50"	1.46"	1-1/2"	4,750		

A = Bowl diameter

C = Distance from flange face to center line of lockscrew

B = Bowl depth

Clearance Bores Above Secondary Seals –

Casing Size	Minimum Bore	Casing Size	Minimum Bore	Casing Size	Minimum Bore
4"	3.53"	7-3/4"	6.99"	13-3/8"	12.50"
4-1/2"	4.03"	8-5/8"	8.00"	13-5/8"	12.50"
5"	4.50"	9-5/8"	9.00"	16"	15.38"
5-1/2"	5.00"	9-3/4"	9.00"	18-5/8"	17.75"
6"	5.50"	10-3/4"	10.00"	18-3/4"	17.88"
6-5/8"	6.00"	11-3/4"	11.06"	20"	19.13"
7"	6.38"	11-7/8"	11.06"		
7-5/8"	6.99"	12-3/4"	12.00"		



GE imagination at work

geoilandgas.com/pressurecontrol

GE © 2013. All rights reserved.
10/13, PC #05-0267 rev 2