

# Wellhead Housings

## Pressure Control W2 Casing Head

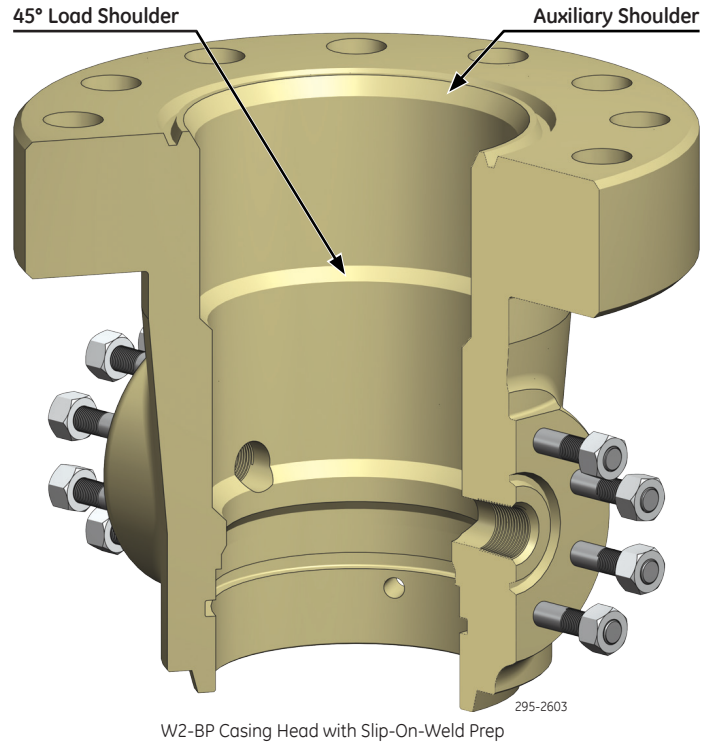
The W2 Casing Head has a straight bowl with a high capacity 45° load shoulder. W2 casing heads are available in top flange sizes from 9" through nominal 20" and pressure ratings from 2,000 psi through 10,000 psi.

### Features —

- Large auxiliary shoulder at face of upper connection will support primary seal plates or RCS secondary seals
- Accepts the full line of slip type casing hangers including W1, W1-M and W2
- Available in a full range of trims that meet API 6A criteria for temperature, material and PSL
- Meets PR-2 test requirements
- Compatible with standard wear bushings and test plugs

### Options —

- Bottom connection
  - Slip-on-weld
  - Slip-on-weld with o-ring
  - Threaded
  - S4 Surelok (PC #05-0224)
- Outlets
  - Line pipe
  - Studded flange (with valve removal threads PC #05-0383)
  - Extended flange (with valve removal threads PC #05-0383)
- Two opposing BP lockscrews (PC #05-0225)
  - Prevent the wear bushing (bowl protector) from rotating in the bowl
  - Name designation (W2-BP) denotes use of BP lockscrews

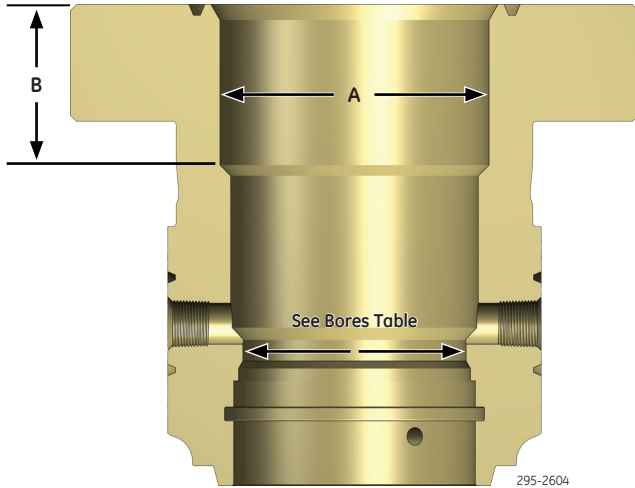


### NOTE

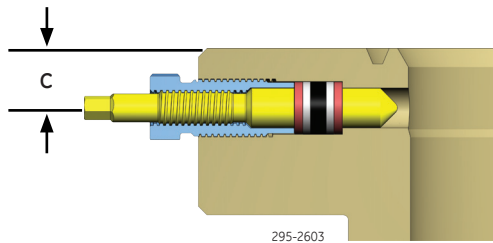
The W2-BP does not come with a full set of lockscrews. If a full set of lockscrews is required, please see the T Tubing Head Technical Bulletin (PC #05-0048).



# W2 Casing Head



W2 Casing Head: For clearance bore dimensions, please refer to the "Clearance Bores Above Secondary Seals" table.



W2-BP Casing Head Lockscrew Detail

## Availability –

Casing Size	Flange	psi	W2-BP			Lockscrew Diameter	Approx. Weight (lbs)
			A	B	C		
7"	9"	2,000	8.76"	7.12"	–	–	234
		3,000	8.76"	7.12"	1.58"	1-1/4"	325
		5,000	8.76"	7.12"	1.64"	1-1/8"	410
		10,000	8.76"	7.12"	1.64"	1-1/8"	495
7-5/8"	9"	2,000	8.76"	7.12"	–	–	230
		3,000	8.76"	7.12"	1.58"	1-1/4"	318
		5,000	8.76"	7.12"	1.64"	1-1/8"	403
		10,000	8.76"	7.12"	1.64"	1-1/8"	487
7-5/8"	11"	2,000	10.88"	6.50"	1.76"	1"	403
		3,000	10.88"	6.50"	1.70"	1-1/8"	457
		5,000	10.88"	6.50"	1.70"	1-1/8"	720
		10,000	10.88"	6.50"	1.58"	1-3/8"	659
8-5/8"	9"	2,000	8.76"	7.12"	–	–	235
		3,000	8.76"	7.12"	1.58"	1-1/4"	323
		5,000	8.76"	7.12"	1.64"	1-1/8"	397
		10,000	8.76"	7.12"	1.64"	1-1/8"	475
8-5/8"	11"	2,000	10.88"	6.50"	1.76"	1"	421
		3,000	10.88"	6.50"	1.70"	1-1/8"	433
		5,000	10.88"	6.50"	1.70"	1-1/8"	746
		10,000	10.88"	6.50"	1.58"	1-3/8"	1,575
9-5/8"	11"	2,000	10.88"	6.50"	1.76"	1"	398
		3,000	10.88"	6.50"	1.70"	1-1/8"	462
		5,000	10.88"	6.50"	1.70"	1-1/8"	667
		10,000	10.88"	6.50"	1.58"	1-3/8"	612
10-3/4"	11"	2,000	10.88"	6.50"	1.76"	1"	387
		3,000	10.88"	6.50"	1.70"	1-1/8"	426
		5,000	10.88"	6.50"	1.70"	1-1/8"	669
		10,000	10.88"	6.50"	1.58"	1-3/8"	601
11-3/4"	13-5/8"	2,000	13.51"	6.50"	1.82"	1"	495
		3,000	13.51"	6.50"	1.82"	1"	685
		5,000	13.51"	6.50"	1.70"	1-1/4"	645
		10,000	13.51"	6.50"	1.62"	1-1/2"	2,787
11-3/4"	16-3/4"	2,000	16.62"	8.50"	1.64"	1-1/8"	1,345
		3,000	16.62"	8.50"	1.64"	1-1/8"	1,467
		5,000	16.62"	8.50"	1.46"	1-1/2"	1,607
		10,000	16.62"	8.50"	1.62"	1-1/2"	1,687
13-3/8"	13-5/8"	2,000	13.51"	6.50"	1.82"	1"	480
		3,000	13.51"	6.50"	1.82"	1"	603
		5,000	13.51"	6.50"	1.70"	1-1/4"	1,081
		10,000	13.51"	6.50"	1.62"	1-1/2"	2,753
13-3/8"	16-3/4"	2,000	16.62"	8.50"	1.64"	1-1/8"	1,320
		3,000	16.62"	8.50"	1.64"	1-1/8"	1,455
		5,000	16.62"	8.50"	1.46"	1-1/2"	1,687
		10,000	16.62"	8.50"	1.64"	1-1/8"	686
16"	16-3/4"	2,000	16.62"	8.50"	1.64"	1-1/8"	765
		5,000	16.62"	8.50"	1.46"	1-1/2"	1,668
18-5/8"	20-3/4"	3,000	20.12"	8.50"	1.57"	1-1/4"	1,432
	21-1/4"	2,000	20.12"	8.50"	1.64"	1-1/8"	1,262
20"	21-1/4"	5,000	20.12"	8.50"	1.64"	1-1/8"	5,100
		3,000	20.12"	8.50"	1.57"	1-1/4"	1,336
20"	21-1/4"	2,000	20.12"	8.50"	1.64"	1-1/8"	1,207
		5,000	20.12"	8.50"	1.64"	1-1/8"	5,075

A = Bowl diameter  
B = Bowl depth

C = Distance from flange face to center line of lockscrew

## Clearance Bores Above SOW Pockets –

Casing Size	Minimum Bore	Casing Size	Minimum Bore	Casing Size	Minimum Bore
7"	6.38"	10-3/4"	10.00"	16"	15.38"
7-5/8"	6.99"	11-3/4"	11.06"	18-5/8"	17.75"
7-3/4"	6.99"	11-7/8"	11.06"	18-3/4"	17.88"
8-5/8"	8.00"	12-3/4"	12.00"	20"	19.13"
9-5/8"	9.00"	13-3/8"	12.50"		
9-3/4"	9.00"	13-5/8"	12.50"		



GE imagination at work

[geoilandgas.com/pressurecontrol](http://geoilandgas.com/pressurecontrol)

GE © 2013. All rights reserved.  
10/13, PC #05-0109 rev 2