

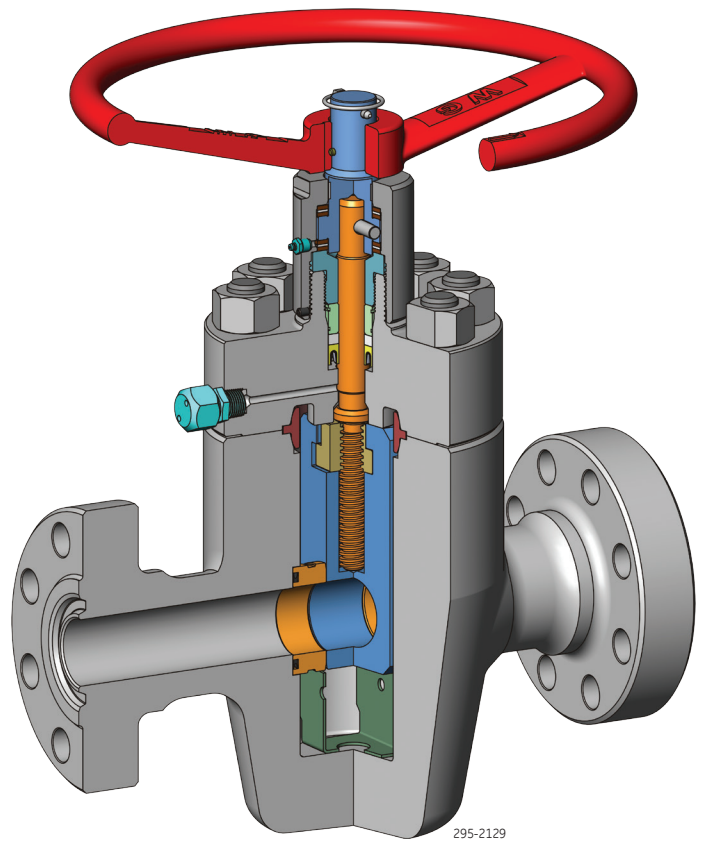
# Gate Valves

## Pressure Control Model 2200T Slab Gate Valve

The Model 2200T high-performance, bidirectional slab gate valve is ideal for high pressure, critical service applications of 2,000 through 20,000 psi on wellheads, production trees and manifolds.

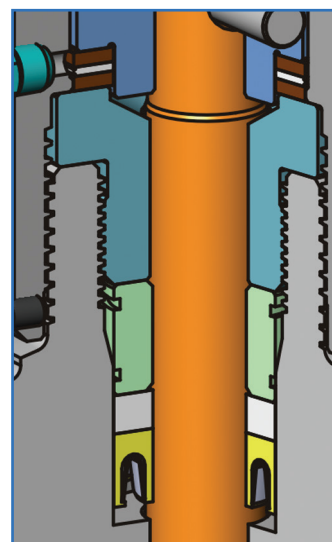
### Features —

- Incorporates proven design elements
  - Slab gate with floating seats
  - Self-energized stem packing
  - Full-bore
- Stem availability
  - Non-rising stem
  - Balanced rising stem
- Metal-to-metal sealing
  - Gate to seat seal
  - Stem backseat seal
  - Body to bonnet seal
- Gate guides
- End configuration options
  - Flanged ends
  - Threaded ends
  - Studded ends for larger bores
- Complies with industry specifications
- Available as API 6A, PSL 1 through 4
- Available in API 6A material class AA, BB, CC, DD, EE, FF and HH
- PR2 Appendix F qualified
- Available in both pneumatic/hydraulic actuated configurations

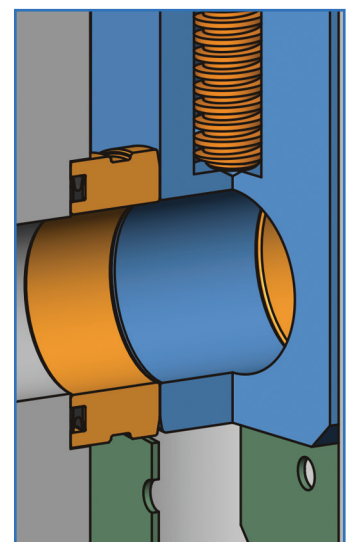


### Availability —

Nominal Size	Working Pressure				
	3,000	5,000	10,000	15,000	20,000
1-13/16"	-	-	•	•	•
2-1/16"	•	•	•	•	-
2-9/16"	•	•	•	•	•
3-1/16"	-	-	•	•	•
3-1/8"	•	•	-	-	-
4-1/16"	•	•	•	•	•
5-1/8"	•	•	•	•	-
7-1/16"	•	•	•	•	-



Model 2200T  
Stem Packing Detail

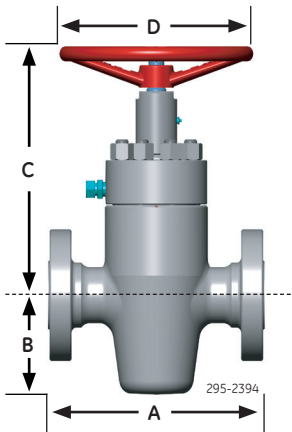


Model 2200T  
Gate/Seat Interface Detail

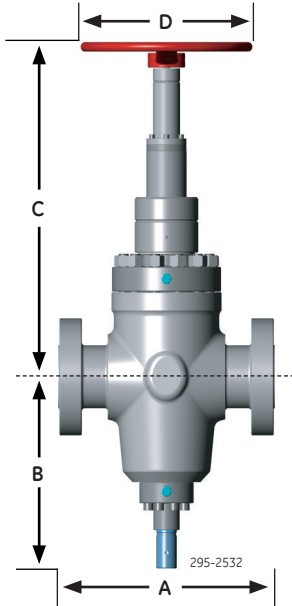


# Model 2200T Slab Gate Valve

## Standard Operating and Dimensional Data —



Nominal Size	Working Pressure (psi)	Dimensions (in/mm)					Weight (lbs/kg)		Number of Turns
		A Threaded	A Flanged	B	C	D	Threaded	Flanged	
1-13/16"	10,000	-	18.26"/463.8	6.44"/163.6	16.25"/412.8	17.00"/431.8	-	308.0/139.7	12
	15,000	-	18.00"/457.2	6.44"/163.6	16.25"/412.8	17.00"/431.8	-	279.0/126.6	12
	20,000	-	21.00"/533.4	7.28"/184.9	18.31"/465.1	18.75"/476.3	-	487.0/220.9	13
2-1/16"	2,000	9.70"/246.4	11.62"/295.1	5.28"/134.1	16.52"/419.6	10.00"/254.0	156.0/70.8	166.0/75.3	13
	3,000/5,000	9.70"/246.4	14.63"/371.6	6.45"/163.8	16.41"/416.8	13.50"/342.9	156.0/70.8	222.0/100.7	13
	10,000	-	20.50"/520.1	7.94"/201.7	16.53"/419.8	17.00"/431.8	-	383.0/173.7	13
	15,000	-	19.00"/482.6	6.61"/167.9	16.53"/419.8	17.00"/431.8	-	325.0/147.4	13
2-9/16"	3,000/5,000	-	16.62"/422.1	7.91"/200.9	17.28"/438.9	13.50"/342.9	-	299.0/135.6	14
	10,000	-	22.25"/565.2	8.08"/205.2	18.03"/458.0	18.75"/476.3	-	456.0/206.8	16
3-1/16"	10,000	-	21.00"/533.4	9.68"/245.9	18.03"/458.0	18.75"/476.3	-	621.0/281.7	16
	15,000	-	24.40"/619.8	10.10"/256.5	18.86"/479.0	18.75"/476.3	-	602.0/273.1	19
3-1/8"	3,000	12.56"/319.0	17.12"/434.8	8.15"/207.0	18.43"/468.1	17.00"/431.8	252.0/114.3	396.0/179.6	19
	5,000	-	18.62"/472.9	8.15"/207.0	18.43"/468.1	17.00"/431.8	-	428.0/194.1	19
4-1/16"	3,000	-	20.12"/511.0	9.67"/245.6	20.26"/514.6	18.75"/476.3	-	655.0/297.1	22
	5,000	-	21.62"/549.1	9.67"/245.6	20.26"/514.6	18.75"/476.3	-	697.0/316.2	22
	10,000	-	26.38"/670.1	12.99"/329.9	25.12"/638.0	24.00"/609.6	-	1,229.0/557.5	22
5-1/8"	5,000	-	28.62"/726.9	13.00"/330.2	26.90"/683.3	24.00"/609.6	-	1,407.0/638.2	27
7-1/16" x 6-3/8"	3,000	-	24.12"/612.6	15.01"/381.3	28.32"/719.3	24.00"/609.6	-	1,207.0/547.5	35



## Balanced Stem/Ball Screw Operating and Dimensional Data —

Nominal Size	Working Pressure (psi)	Dimensions (in/mm)					Weight (lbs/kg)		Number of Turns
		A Threaded	A Flanged	B	C	D	Threaded	Flanged	
2-9/16"	20,000	-	26.50"/673.1	10.60"/269.2	22.30"/566.4	23.00"/584.2	-	1,058.0/479.9	17
3-1/16"	20,000	-	30.50"/774.7	21.60"/548.6	41.31"/1,049.3	24.00"/609.6	-	2,429.0/1,101.8	17
4-1/16"	15,000	-	29.00"/736.6	23.23"/590.0	40.58"/1,030.7	24.00"/609.6	-	1,554.0/704.9	20
	20,000	-	20.50"/520.7	27.63"/701.8	45.50"/1,155.7	42.00"/1,066.8	-	4,728.0/2,144.6	23
5-1/8"	10,000	-	29.00"/736.6	13.00"/330.2	27.90"/708.7	23.00"/584.2	-	1,546.0/701.3	23
	15,000	-	19.50"/495.3*	30.38"/771.7	54.48"/1,383.8	42.00"/1,066.8	-	4,042.0/1,833.4	26
7-1/16"	3,000	-	28.12"/714.2	28.59"/726.2	50.93"/1,293.6	23.00"/584.2	-	2,200.0/997.9	31
	5,000	-	32.00"/812.8	28.59"/726.2	50.93"/1,293.6	23.00"/584.2	-	2,407.0/1,091.8	31
	10,000	-	20.00"/508.0*	32.80"/833.1	55.66"/1,413.8	42.00"/1,066.8	-	4,318.0/1,958.6	33
	15,000	-	23.00"/584.2*	37.75"/958.9	61.83"/1,570.5	42.00"/1,066.8	-	6,357.0/2,883.5	36

\* Studded end connections



GE imagination at work

[geoilandgas.com/pressurecontrol](http://geoilandgas.com/pressurecontrol)

GE © 2014. All rights reserved.  
06/14, PC #04-0401 rev 3