

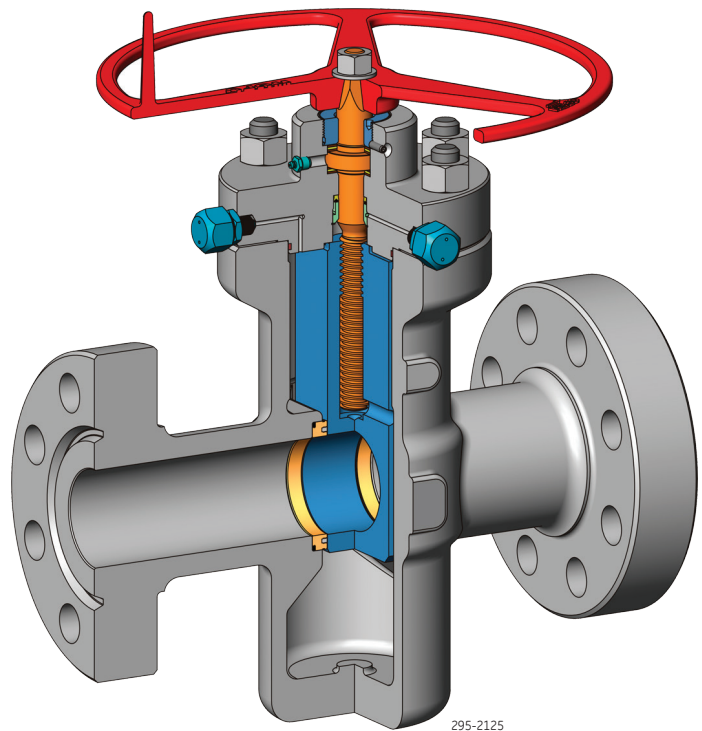
Gate Valves

Pressure Control Model 1000 Slab Gate Valve

The Model 1000 Gate Valve is a cast body, slab gate design ideally suited to providing customers with proven operating features in a product that is focused on meeting the requirements of lower pressure applications. Commonly used for both wellhead annulus outlets and production trees, this gate valve meets industry standards and does not compromise strength or seal integrity.

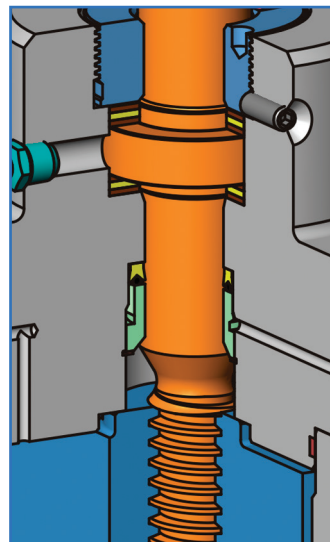
Features —

- Light weight
- Simple design
- Easily repaired
- Incorporates proven design elements
 - Slab gate with floating seats
 - Self-energized stem packing
 - Full-bore
 - Non-rising stem
- Available in both flanged and threaded end connections
- Complies with industry specifications
- Available as API 6A, PSL 1 and PSL 2
- Available in API 6A material class AA, BB, CC, DD, EE and FF
- PR2 Appendix F qualified

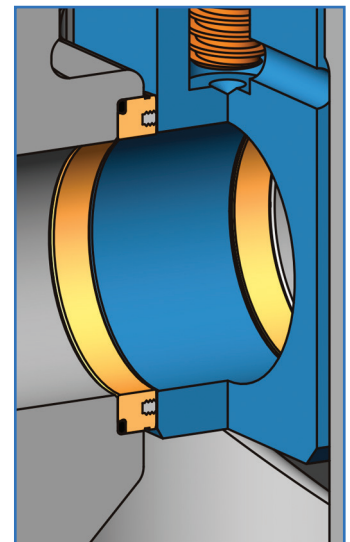


Availability —

Nominal Size	Working Pressure		
	2,000	3,000	5,000
2-1/16"	•	•	•
2-9/16"	-	•	•
3-1/8"	-	•	•
4-1/16"	-	•	•



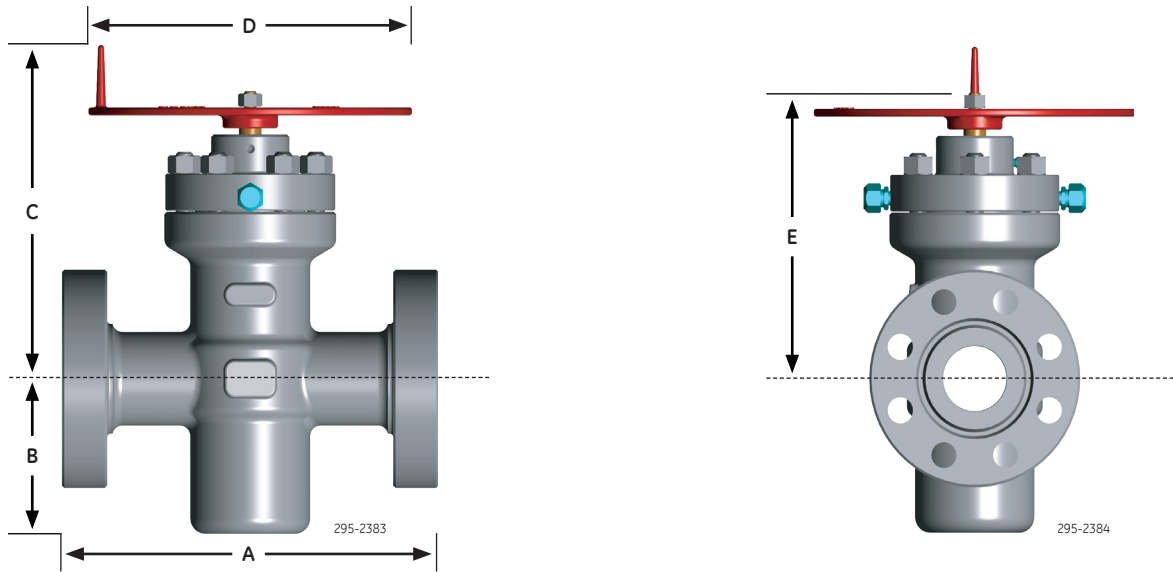
Model 1000
Stem Packing Detail



Model 1000
Gate/Seat Interface Detail

Model 1000 Slab Gate Valve

Standard Operating and Dimensional Data —



Nominal Size	Working Pressure (psi)	Dimensions (in/mm)						Weight (lbs/kg)		Number of Turns
		A Threaded	A Flanged	B	C	D	E	Threaded	Flanged	
2-1/16"	2,000	-	11.62"/295.15	5.13"/130.30	12.75"/323.85	12.50"/317.50	10.38"/263.65	-	85.00/38.56	13
	3,000/5,000	9.62"/244.35	14.62"/371.35	5.13"/130.30	12.75"/323.85	12.50"/317.50	10.38"/263.65	69.00/31.30	117.00/53.07	13
2-9/16"	3,000/5,000	10.25"/260.35	16.62"/422.15	6.09"/154.69	13.88"/352.55	12.50"/317.50	11.50"/292.10	98.00/44.45	166.00/15.30	15
	3,000	11.38"/289.05	17.12"/434.85	7.44"/188.98	16.02"/406.91	16.00"/406.40	13.80"/350.52	161.00/73.03	219.00/99.34	19
3-1/8"	5,000	11.38"/289.05	18.62"/472.95	7.44"/188.98	16.02"/406.91	16.00"/406.40	13.80"/350.52	161.00/73.03	249.00/112.95	19
	3,000	13.00"/330.20	20.12"/511.05	9.31"/236.47	19.88"/504.95	18.00"/457.20	16.89"/429.01	288.00/130.64	396.00/179.62	24
4-1/16"	5,000	13.00"/330.20	21.62"/549.15	9.31"/236.47	19.88"/504.95	18.00"/457.20	16.89"/429.01	288.00/130.64	432.00/195.95	24



GE imagination at work

geoilandgas.com/pressurecontrol

GE © 2014. All rights reserved.
06/14, PC #04-0399 rev 3