

Masonellan* Products

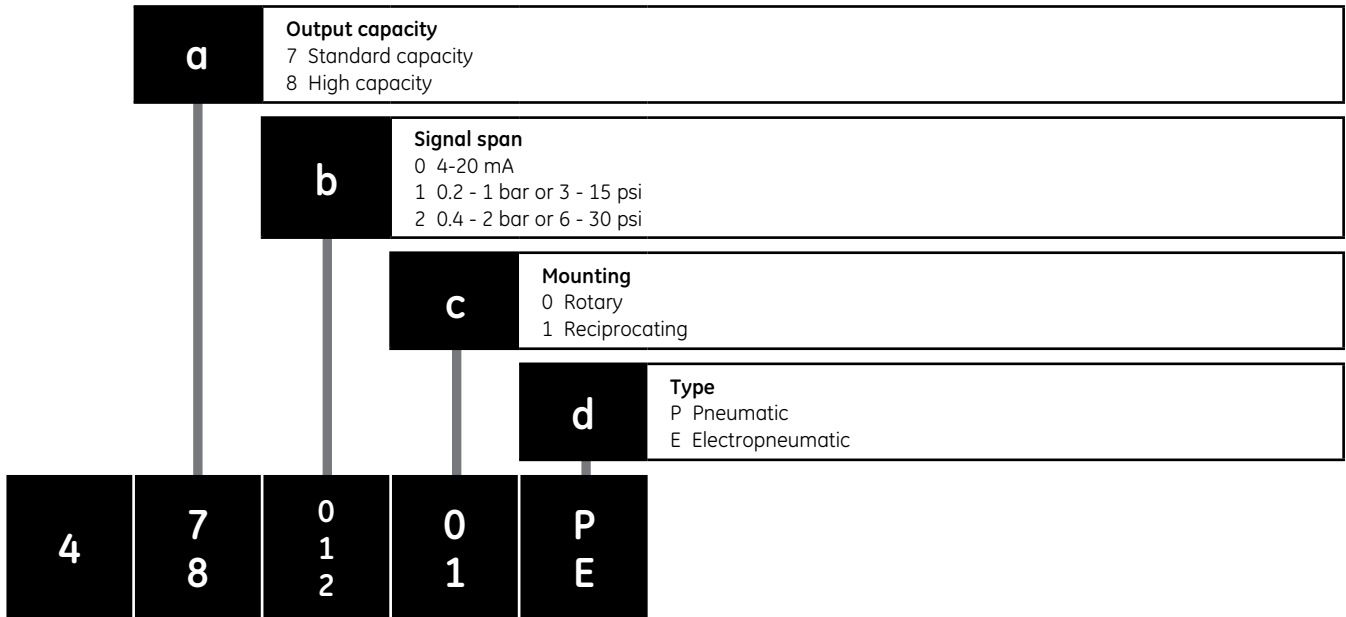
Models 4700P/4700E & 4800P/4800E

Corrosion-resistant Positioners



Numbering System

Series Identification 4abcd



Operation / Features

Masoneilan models 4700P/4700E and 4800P/4800E cam positioners from GE Oil & Gas provide precise positioning, fast response, and customized control characteristics for control valves.

The main features of the models 4700P/4700E and 4800P/4800E are:

Cam Characterization - This cam provides field changeable, linear, split-range linear, and equal percentage control characteristics. Custom characteristics are available on special order.

Zero and Span Adjustments - For ease of installation and maintenance, two simple procedures provide easy adjustment of zero and span. An adjustment nut allows zeroing while span is accomplished by changing the effective length of the feedback spring. All adjustments are fully enclosed for protection from the environment.

NOTE: The electropneumatic (4700E/4800E) positioner has no adjustments in the I/P module.

Simple and Easy to Maintain - The pilot valve is the only moving part in the pilot housing. It is easily removed without disassembling any other part of the positioner. An optional bypass valve module is available for use on the model 4700P pneumatic direct acting positioner. Where operating parameters allow, it permits the positioner to be isolated for maintenance while operating the valve directly with the instrument signal. The bypass module is mounted on the back of the positioner to discourage tampering.

Corrosion-resistant Materials - Premium performance is the standard on the models 4700P/4700E and 4800P/4800E positioners. Internal components are manufactured of corrosion-resistant materials for protection against the harshest environments.

Rotary Valves

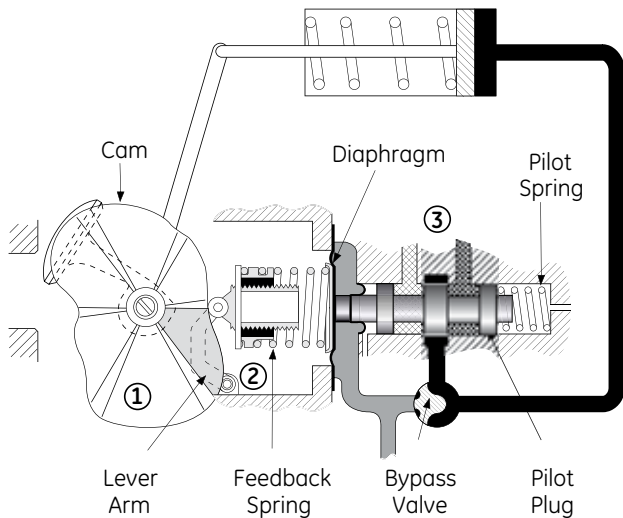
On rotary valves, the cam assembly is attached directly to the end of the shaft, and only one positioner assembly is required. This proven performer eliminates linkage and associated backlash problems.

Reciprocating Valves

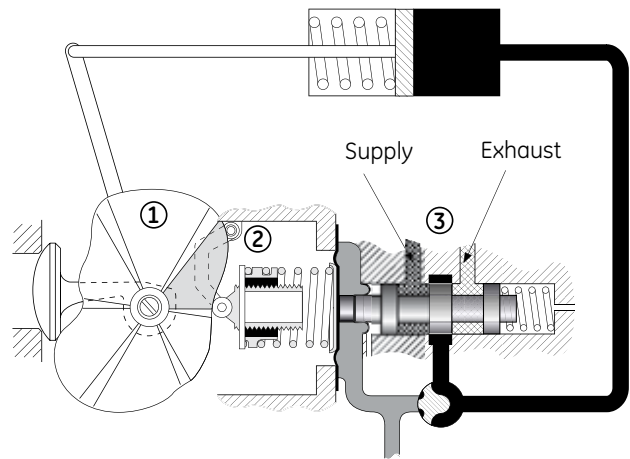
For use with reciprocating valve spring diaphragm actuators, the positioner is fitted with a post hub and shaft on which the cam is mounted. Actuation is transmitted to the cam via a rugged and simple turnbuckle and lever assembly

Operation / Features

Direct Positioner Action

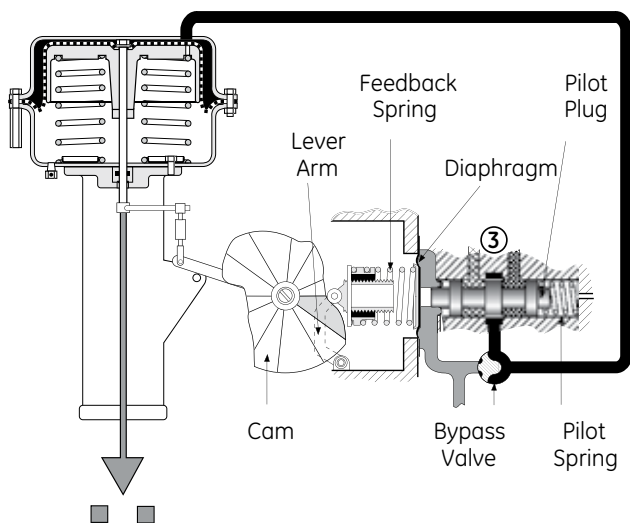


**Reverse Positioner Action
(4700P/4800P Only)**

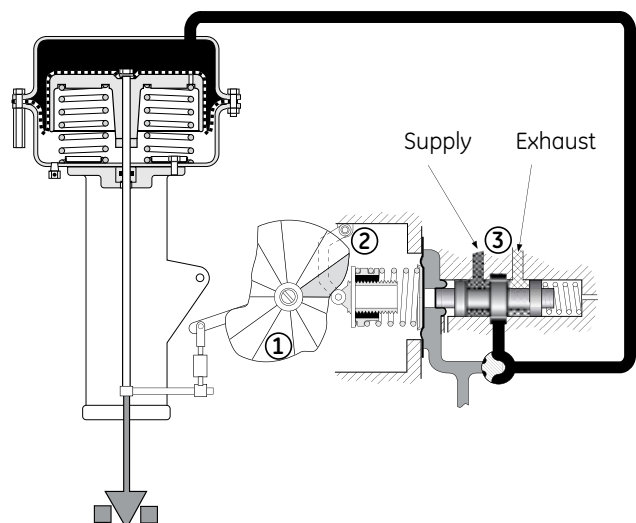


Rotary

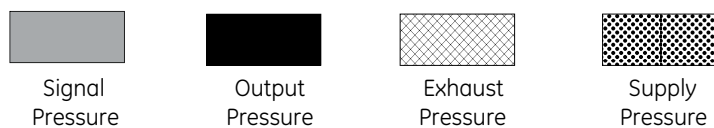
Direct Positioner Action



**Reverse Positioner Action
(4700P/4800P Only)**



Reciprocating



For models 4700P/4800P only, positioner action can be reversed by simply engaging the proper lobe on the cam and reversing the follower arm (numbers 1 and 2 above), and the supply and exhaust ports (number 3 above).

Instrument Signals

Characteristics shown represent final valve characteristic

Models 4700P/4700E and 4800P/4800E (Camflex* II and Varimax*)

Characteristics			
Linear		Equal Percentage	
psi	bar	psi	bar
3 - 9	0.2 - 0.6	3 - 15	0.2 - 1
3 - 15	0.2 - 1	3 - 27	0.2 - 1.8
3 - 27	0.2 - 1.8	6 - 30	0.4 - 2
6 - 18	0.4 - 1.2		
6 - 30	0.4 - 2		
9 - 15	0.6 - 1		
15 - 27	1 - 1.8		
18 - 30	1.2 - 2		

Models 4700P/4700E and 4800P/4800E (87/88 Actuator)

Characteristics			
Linear		Equal Percentage	
psi	bar	psi	bar
3 - 9	0.2 - 0.6	3 - 15	0.2 - 1
3 - 15	0.2 - 1	3 - 27	0.2 - 1.8
3 - 27	0.2 - 1.8	6 - 30	0.4 - 2
6 - 18	0.4 - 1.2		
6 - 30	0.4 - 2		
9 - 15	0.6 - 1		
15 - 27	1 - 1.8		
18 - 30	1.2 - 2		

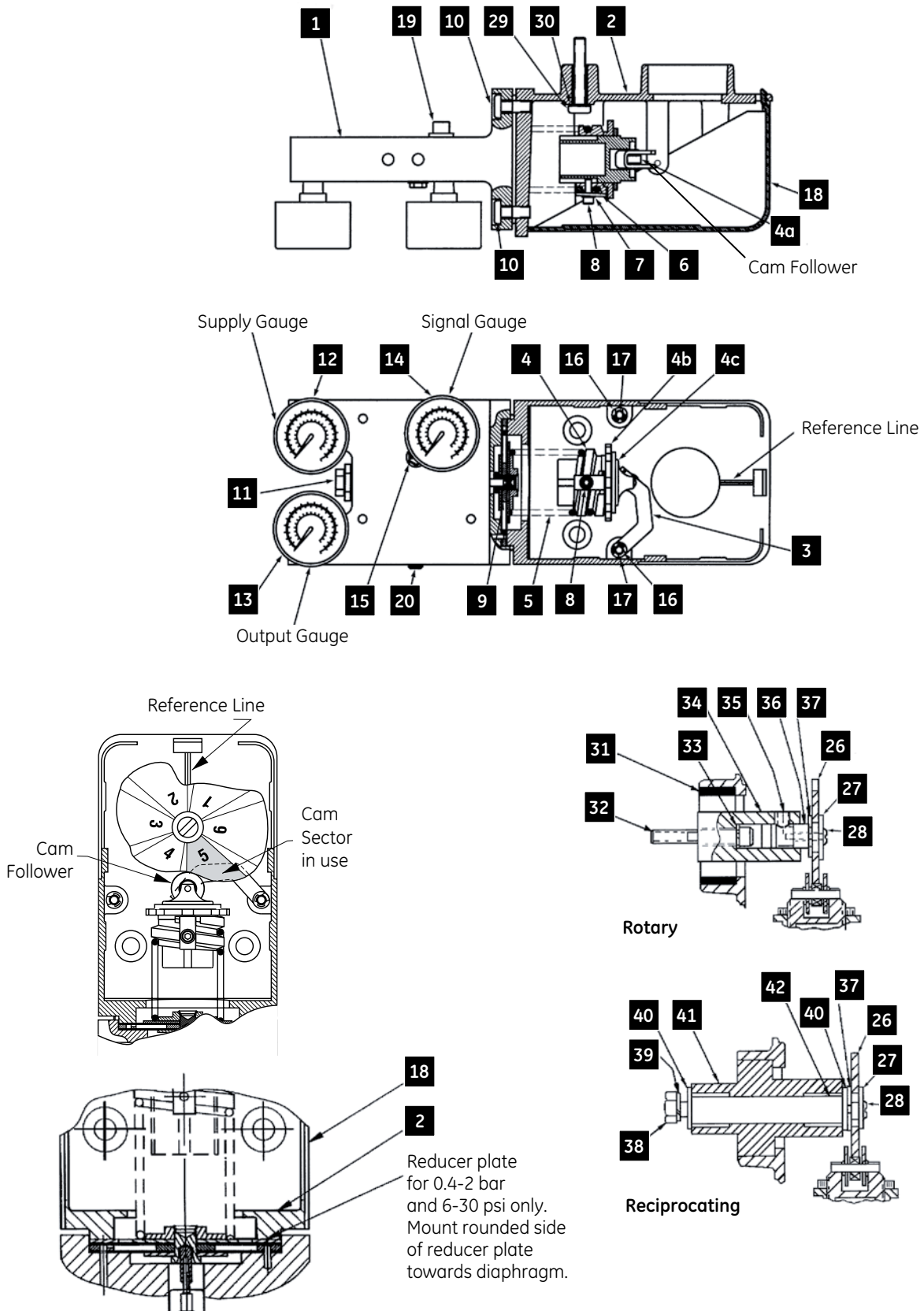
Models 4700P/4700E and 4800P/4800E (MiniTork* II, 38002 TFE-Lined, 39002 HPBV, Paramax* and V-Max*)

Characteristics	
Equal Percentage	
psi	bar
3 - 9	0.2 - 0.6
3 - 15	0.2 - 1
3 - 27	0.2 - 1.8
6 - 18	0.4 - 1.2
6 - 30	0.4 - 2
9 - 15	0.6 - 1
15 - 27	1 - 1.8
18 - 30	1.2 - 2

Construction and Parts Reference

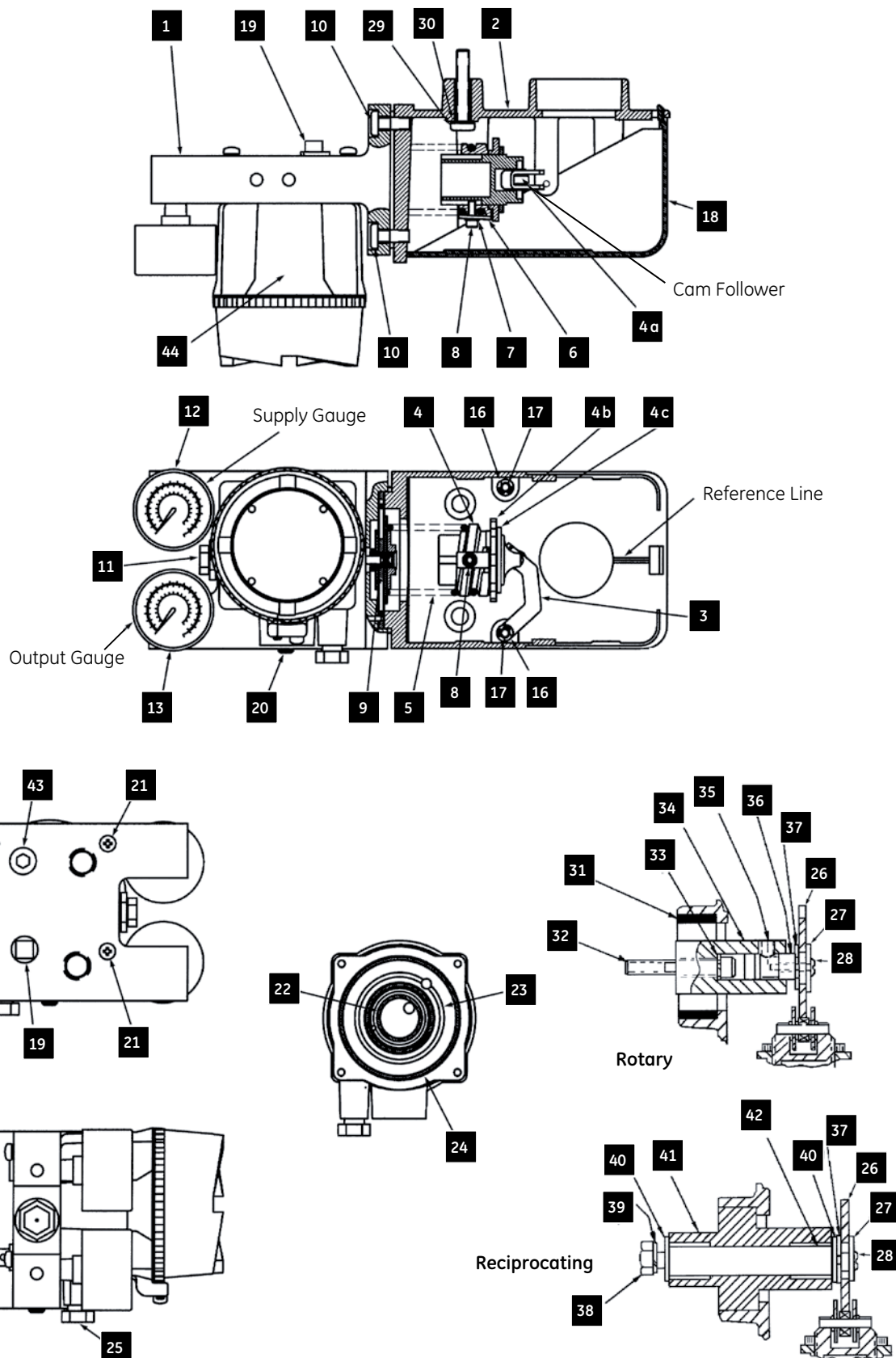
4700P / 4800P

0.2-1 bar or 3-15 psi and 0.4-2 bar or 6-30 psi



0.2-1 bar or 3-15 psi and 0.4-2 bar or 6-30 psi

Ref. N°.	Description	Ref. N°.	Description
1	Body S/A	26	Cam
2	Case S/A	27	Washer
3	Lever S/A	28	Pan Head Screw
4	Spring End	29	Socket Head Screw
4A	Cam Follower	30	Lockwasher
4B	Zero Nut	31	Gasket
4C	Zero Locknut	32	Socket Head Screw
5	Spring, Feedback	33	Lockwasher
6	Clamp	34	Coupling
7	Lockwasher	35	Socket Head Set Screw
8	Socket Head Screw	36	Cam Holder
9	Diaphragm S/A	37	Truarc Ring
10	Screw	38	Cap Screw
11	Pilot S/A	39	Lockwasher
12	Supply Gauge	40	Washer
13	Output Gauge	41	Post Hub S/A
14	Instrument Gauge	42	Input Shaft
15	Screw, Washer Head		
16	Washer		
17	Retaining Clip		
18	Cover, Case		
19	Vent Plug		
20	Screw, Sealing, Set 5/16-24 x .5		



Ref. N°.	Description	Ref. N°.	Description
1	Body S/A	26	Cam
2	Case S/A	27	Washer
3	Lever S/A	28	Pan Head Screw
4	Spring End	29	Socket Head Screw
4A	Cam Follower	30	Lockwasher
4B	Zero Nut	31	Gasket
4C	Zero Locknut	32	Socket Head Screw
5	Spring, Feedback	33	Lockwasher
6	Clamp	34	Coupling
7	Lock Washer	35	Socket Head Set Screw
8	Socket Head Screw	36	Cam Holder
9	3-15 Diaphragm S/A	37	Truarc Ring
10	Screw	38	Cap Screw
11	Pilot S/A	39	Lockwasher
12	Supply Gauge	40	Washer
13	Output Gauge	41	Post Hub S/A
16	Washer	42	Input Shaft
17	Retaining Clip	43	Plug, Pipe 1/4" NPT
18	Cover, Case	44	I/P Module Assembly
19	Vent Plug		
20	Screw, Sealing, Set 5/16-24 x .5		
21	Screw 8-32 x 1.25		
22	O-ring .81" ID		
23	O-ring 1.31" ID		
24	O-ring 2.38" ID		
25	Breather		

Hazardous Area Installations

The positioner is available in versions suitable for use in hazardous areas. The labeling on the positioner indicates correct areas of use.

ATEX approved version (94/9/EC Directive)

Explosionproof: II 2GD
 Ex d IIC T6 Gb (Tamb.= -40°C to +55°C)
 Ex d IIC T5 Gb (Tamb.= -40°C to +70°C)
 Ex d IIC T4 Gb (Tamb.= -40°C to +85°C)
 Ex t IIIC T90°C Db (Tamb.= -40°C to +55°C)

Intrinsically Safe: II 1GD
 Ex ia IIC T6 Ga (Tamb.= -40°C to +55°C, Pi= 0.33 W)
 Ex ia IIC T4 Ga (Tamb.= -40°C to +80°C, Pi= 1.1 W)
 Ex ia IIIC Da T90°C (Tamb.= -40°C to +80°C, Pi= 1.1 W)

Energy Limited: II 3G
 Ex nA nL IIC T4 Gc (Tamb.= -40°C to +80°C)

Enclosure rating: IP 66

CSA (Canadian Standards Association) approved version

Explosionproof: Class I, Groups B, C and D
 Class II, Groups E, F and G
 and Class III rated at 30 mA maximum,
 28 VDC maximum, with a
 Temperature Code T6 @ 75°C
 T5 @ 85°C

Intrinsically Safe: Class I, Division 1, Groups A, B, C and D
 Class II, Division 1, Groups E, F and G
 Class III rated at 30 mA and 28 VDC maximum
 Temperature code T6 @ 55°C
 T4A @ 85°C

Non-Incendive: Class I, Division 2, Groups A, B, C and D
 30 mA and 28 VDC maximum

Enclosure rating: IP 66 and NEMA 4X

Factory Mutual approved version

Explosionproof: Class I, Division 1, Groups B, C and D
 Temperature Classification
 T6 @ 75°C ambient
 T5 @ 85°C ambient

Dust-Ignitionproof: Class II / III, Division 1, Groups E, F and G

Non-Incendive: Class I, Division 2, Groups A, B, C and D
 Class II / III, Division 2, Groups F and G

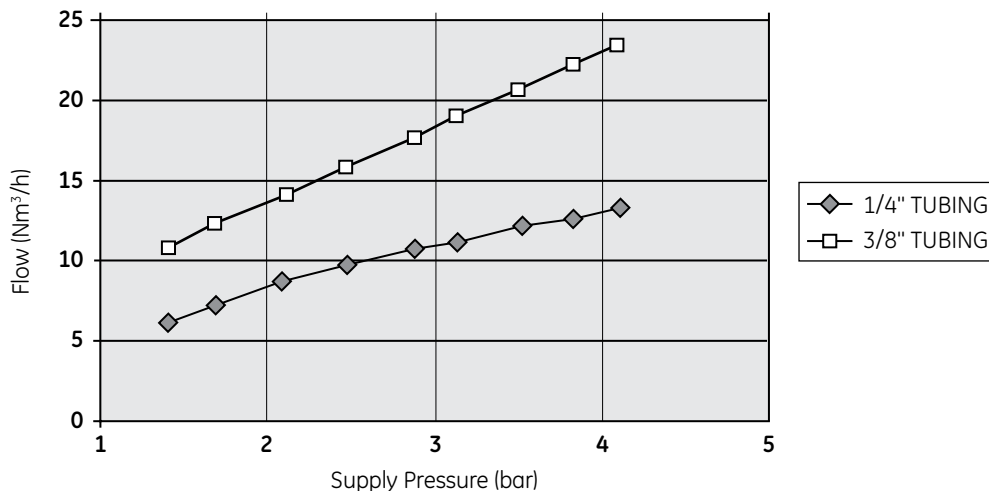
Intrinsically Safe: Class I / II / III, Division 1, Groups A, B, C, D, E, F and G
 Temperature Classification
 T4 @ 40°C ambient
 T3B @ 70°C ambient
 T3A @ 85°C ambient

Enclosure rating: NEMA 4X

Other approval:

KOSHA (South Korea)

Output and Exhaust Capacity 4700 / 4800



DIRECT SALES OFFICE LOCATIONS

BELGIUM

Phone: +32-2-344-0970
Fax: +32-2-344-1123

BRAZIL

Phone: +55-11-2146-3600
Fax: +55-11-2146-3610

CHINA

Phone: +86-10-5689-3600
Fax: +86-10-5689-3800

FRANCE

Courbevoie
Phone: +33-1-4904-9000
Fax: +33-1-4904-9010

GERMANY

Ratingen
Phone: +49-2102-108-0
Fax: +49-2102-108-111

INDIA

Mumbai
Phone: +91-22-8354790
Fax: +91-22-8354791

New Delhi

Phone: +91-11-2-6164175
Fax: +91-11-5-1659635

ITALY

Phone: +39-081-7892-111
Fax: +39-081-7892-208

JAPAN

Chiba
Phone: +81-43-297-9222
Fax: +81-43-299-1115

KOREA

Phone: +82-2-2274-0748
Fax: +82-2-2274-0794

MALAYSIA

Phone: +60-3-2161-0322
Fax: +60-3-2163-6312

MEXICO

Phone: +52-55-3640-5060

THE NETHERLANDS

Phone: +0031-15-3808666
Fax: +0031-18-1641438

RUSSIA

Veliky Novgorod
Phone: +7-8162-55-7898
Fax: +7-8162-55-7921

Moscow

Phone: +7 495-585-1276
Fax: +7 495-585-1279

SAUDI ARABIA

Phone: +966-3-341-0278
Fax: +966-3-341-7624

SINGAPORE

Phone: +65-6861-6100
Fax: +65-6861-7172

SOUTH AFRICA

Phone: +27-11-452-1550
Fax: +27-11-452-6542

SOUTH & CENTRAL

AMERICA AND THE CARIBBEAN

Phone: +55-12-2134-1201
Fax: +55-12-2134-1238

SPAIN

Phone: +34-93-652-6430
Fax: +34-93-652-6444

UNITED ARAB EMIRATES

Phone: +971-4-8991-777
Fax: +971-4-8991-778

UNITED KINGDOM

Wooburn Green
Phone: +44-1628-536300
Fax: +44-1628-536319

UNITED STATES

Massachusetts
Phone: +1-508-586-4600
Fax: +1-508-427-8971

Corpus Christi, Texas

Phone: +1-361-881-8182
Fax: +1-361-881-8246

Deer Park, Texas

Phone: +1-281-884-1000
Fax: +1-281-884-1010

Houston, Texas

Phone: +1-281-671-1640
Fax: +1-281-671-1735

California

Phone: +1-562-941-7610
Fax: +1-562-941-7810



* Masoneilan, Camflex, MiniTork, Varimax, V-Max and Paramax are registered trademarks of the General Electric Company. Other company names and product names used in this document are the registered trademarks or trademarks of their respective owners.

© 2012 General Electric Company. All rights reserved.

GEA20205 09/2012
[Formerly Masoneilan CS 4700]