

GE Energy

# Masoneilan\* Valves

## 41005 Series

Heavy Duty, Globe-Style Control Valves

Dependable globe-style control valve solutions for maximum performance in severe service conditions



imagination at work

# 41005 Series Cage-Guided Globe Valves

## Excellent Performance and Reliability

Masoneilan 41005 Series cage-guided control valves from GE Energy provide highly dependable, field-proven performance for a variety of critical process control applications in industries such as power, onshore and offshore oil and gas, petrochemical, and refining. The valves' rugged design delivers excellent performance even in severe conditions.

## High Process Yields

The 41005 Series provides excellent throttling control performance resulting in efficient process output and high process yields. The balanced trim construction reduces the resultant forces acting on the valve plug, which decreases the actuator thrusts required to move and position the plug. Even at high temperatures, the use of low friction Teflon® packing further enhances throttling performance. This is made possible by the extended packing box design in the standard 41005 Series bonnet.

## Lower Operating Costs

Dependable control-valve tight shutoff helps minimize the loss of valuable process fluids and potentially can eliminate the need for separate isolation valves. In addition, excessive valve-seat leakage can lead to premature trim wear and reduced performance.

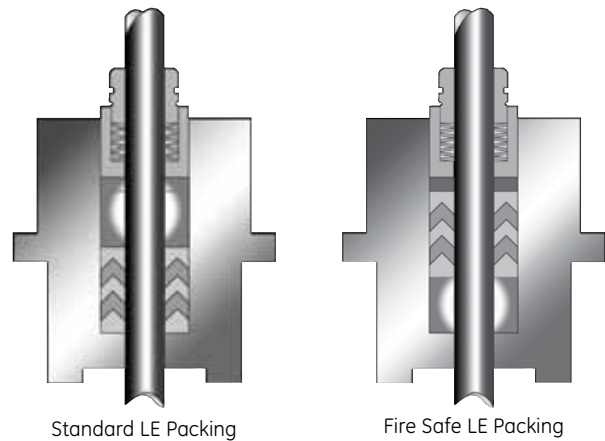
The 41005 Series is available with a pilot-balanced trim option for tight shutoff (Class V) at high temperatures, and a soft-seat design for bubble-tight (Class VI) shutoff in accordance with ANSI/FCI and IEC specifications.

## High Reliability

Standard hardened trim materials in the 41005 Series provide excellent wear resistance and long life even under high-pressure and high-temperature conditions. Various trim options are available to control and reduce the potentially damaging effects of noise and cavitation. Overall valve reliability also is enhanced with minimized application of soft goods such as gaskets and seals.

## Low-Emissions Compliance

Addressing environmental concerns surrounding fugitive emissions from industrial plants, GE Energy offers low-emissions packing options for all Masoneilan globe valve designs meeting various global and regional requirements. The EPA-compliant Masoneilan LE\* Packing design also is available in a fire-safe version.





# Customer Benefits

## Design Simplicity

Sizing and selection is simplified with the versatile 41005 Series valve design, which provides various trim options in a common platform to handle a wide range of applications. This also allows users to easily modify, upgrade or change trim style in the field by simply replacing trim components to accommodate changes in process conditions.

## Compact Design

Compared to equivalent valve designs, the 41005 Series offers ease of handling and installation with a compact, low weight, and low profile assembly. Valve orifice sizes are configured for capacity and noise performance, while body bowl dimensions are streamlined resulting in a highly efficient valve package.

## Ease of Maintenance

Simple top-entry access to the 41005 Series trim components provides a maintenance-friendly design, which is further enhanced with the quick change trim construction. The versatility and reduced number of parts used in the 41005 Series design can help reduce overall plant inventory costs. Making maintenance and repairs even easier, there are no special components, such as shims, required in the assembly.

## Advanced Digital Performance

Greater control resolution and accuracy are available when the 41005 Series is supplied with smart valve instrumentation such as the Masoneilan SVI<sup>II</sup> AP or the Masoneilan FVP<sup>\*</sup>. Since both instruments are available in single- or double-acting configurations and offer advanced control technology, they provide higher precision for pneumatically actuated control valves. In addition, Masoneilan's ValVue<sup>\*</sup> smart communications software provides real-time preventive and predictive diagnostics data that helps to ensure critical control valve asset availability and to maximize end user return on investment.



SVI II AP



FVP



## Design Flexibility

Standard options in the 41005 Series product line include:

### High-Capacity Globe or Angle Bodies

- Lo-dB\* Noise Attenuation Trim
- Anti-Cavitation Trim
- Single and Multi-Stage Trim Options
- Pilot-Balanced Tight Shutoff Trim
- Reduced-Capacity Trim
- Soft-Seat Trim
- Tungsten Carbide Trim
- Low-Emissions Packing
- Extension Bonnets
- Cryogenic Design
- NACE-Compliant Configuration
- Spring-Diaphragm or Piston Actuation
- Advanced Digital Positioning and Control



## Key Features

### Pressure-Balanced Trim

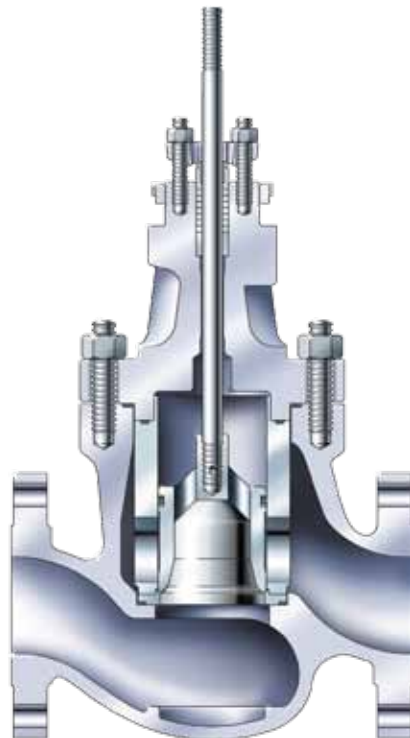
- Reduced Actuator Size and Thrust Requirements
- High-Pressure Drop Capability
- Smooth and Efficient Throttling Process Control

### High-Capacity Design

- Large, Streamlined Body-Bowl Design
- Maximum Single-Port Orifice Sizes
- Flexible Flow Characterization
- Optional High-Capacity Version

### Heavy Cage Guiding

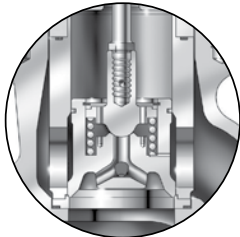
- Valve-Plug Guiding Over Full Stroke Range
- Excellent Trim Alignment and Dynamic Stability
- Enhanced Guiding to Reduce Mechanical and Flow-Induced Vibration Effects



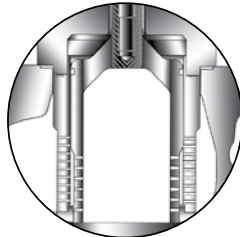
# Key Features

## Wide Operating Range

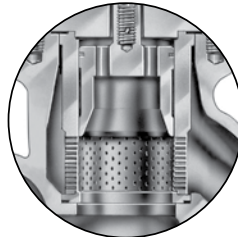
- Various Noise-Attenuation and Anti-Cavitation Trims
- Optimized Price-to-Performance Balance-Seal Options
- Wide Range of Standard Sizes and Pressure Ratings
- High- and Low-Temperature Configurations



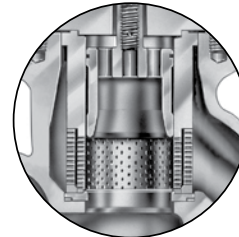
Pilot Balanced Construction



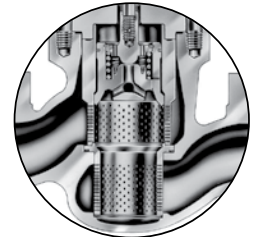
Multi-Stage Anti-Cavitation



Single Stage Lo-dB\* or Anti-Cavitation



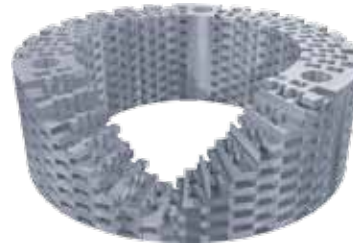
Multi-Stage Lo-dB



Single Stage Lo-dB with Diffuser

## Severe-Service Options

- Multi-Stage Anti-Cavitation Trim
- V-LOG\* Tortuous-Path Energy Management Trim
- High-Pressure Anti-Cavitation Variable-Resistance Trim (VRT\*)
- Custom-Characterized Cages



V-Log Trim



VRT Trim

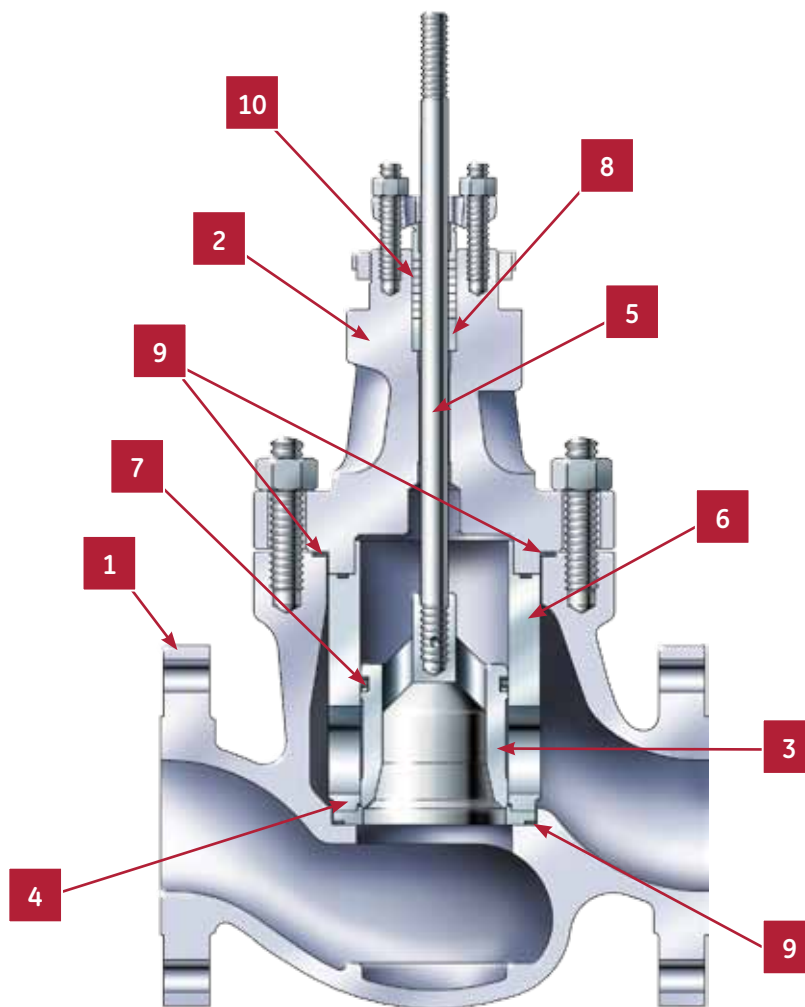
# Product Specifications

Operating Envelope	
Sizes	2" to 24" (50mm to 610mm)
Pressure Ratings	ASME Class 150 to 2500 (Equivalent PN)
Seat Leakage	ANSI/FCI/IEC Class II, III, IV, V and VI
C <sub>v</sub> Range	10 to 7000
Temperature Range	-320°F to +1050°F (-196°C to +566°C)

\* Consult factory for details on available sizes, ratings, and configurations.

End Connections		
ASME Class 150 - 2500		
Connections	Valve Sizes	
	2" (50mm)	3" to 24" (80 to 610 mm)
RF Flanged	●	●
Socket Weld	●	
Threaded	●	
RT Joint	●	●
Butt Weld	●	●

# Materials of Construction

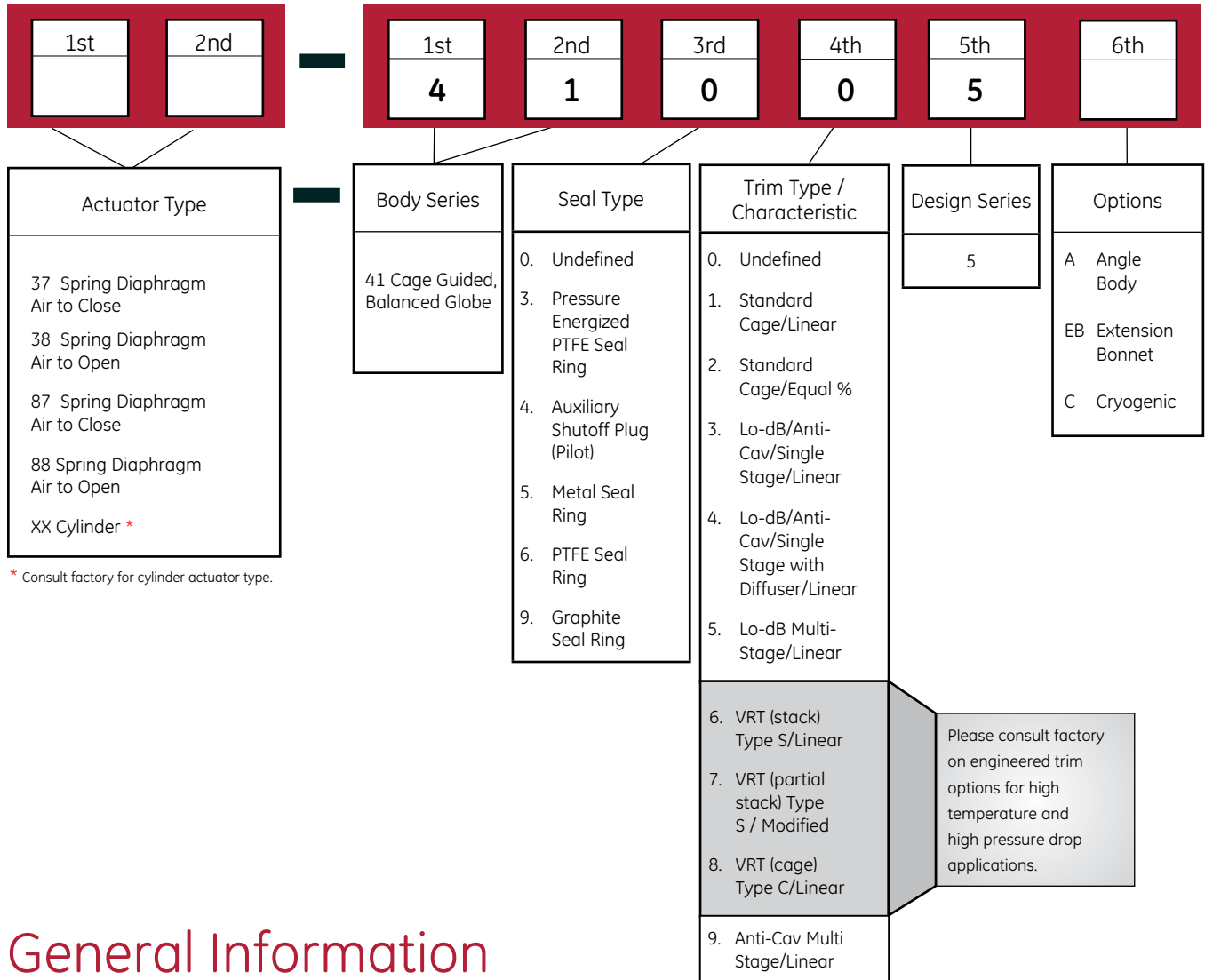


## Materials of Construction

1	Body	Carbon Steel, Stainless Steel, Chrome-Moly, Other Alloys
2	Bonnet	
3	Plug	Stainless Steel, Stainless Steel with Stellite or Equivalent Hardfacing and Nitrided Surfaces
4	Seat Ring	Hardened Stainless Steel, Stainless Steel with Stellite or Equivalent Hardfacing
5	Stem	Stainless Steel, Inconel
6	Cage	Stainless Steel with Chrome-Plating and Nitriding
7	Balance Seal Ring	Teflon, Ni-Resist, Nitrided Stainless Steel, Graphite, and Spring Energized Teflon
8	Guide Bushing	Hardened Stainless Steel, Stainless Steel with Hardfacing
9	Gaskets	Stainless Steel with Flexible Graphite Filler
10	Packing	Teflon, Flexible Graphite and Low Emissions

Note: Refer to 41005 Series Tech-Spec for detailed material specifications and operating temperature limits.

# Numbering System



## General Information

### Flow Direction

Standard Trim:	flow-to-open or flow-to-close
Lo-dB Trim:	flow-to-open
Lo-dB Trim w/ Diffuser:	flow-to-close
Anti-Cavitation Trim:	flow-to-close

### Body

Type: high capacity globe or angle

### Body and Bonnet

Materials:	carbon steel 316 stainless steel chrome-molybdenum steel others
------------	--

### Trim

Cage Type:	cylindrical ported drilled hole (Lo-dB or Anti-cav) single or multi-stage
Plug Type:	pressure balanced
Seal Rings:	teflon, metal or graphite
Seat Ring:	quick change
Guide:	heavy cage guiding
Capacity:	full area or reduced
Cv Ratio:	50:1
Flow Characteristics:	linear or equal %

### Actuation

Type: multi-spring diaphragm  
spring diaphragm  
spring-return cylinder  
double-acting cylinder  
handwheel (optional)

# DIRECT SALES OFFICE LOCATIONS

## BELGIUM

Phone: +32-2-344-0970  
Fax: +32-2-344-1123

## BRAZIL

Phone: +55-11-2146-3600  
Fax: +55-11-2146-3610

## CHINA

Phone: +86-10-8486-4515  
Fax: +86-10-8486-5305

## FRANCE

### Courbevoie

Phone: +33-1-4904-9000  
Fax: +33-1-4904-9010

## GERMANY

### Ratingen

Phone: +49-2102-108-0  
Fax: +49-2102-108-111

## INDIA

### Mumbai

Phone: +91-22-8354790  
Fax: +91-22-8354791

### New Delhi

Phone: +91-11-2-6164175  
Fax: +91-11-5-1659635

## ITALY

Phone: +39-081-7892-111  
Fax: +39-081-7892-208

## JAPAN

### Chiba

Phone: +81-43-297-9222  
Fax: +81-43-299-1115

## KOREA

Phone: +82-2-2274-0748  
Fax: +82-2-2274-0794

## MALAYSIA

Phone: +60-3-2161-0322  
Fax: +60-3-2163-6312

## MEXICO

Phone: +52-5-310-9863  
Fax: +52-5-310-5584

## THE NETHERLANDS

Phone: +0031-15-3808666  
Fax: +0031-18-1641438

## RUSSIA

### Veliky Novgorod

Phone: +7-8162-55-7898  
Fax: +7-8162-55-7921

### Moscow

Phone: +7 495-585-1276  
Fax: +7 495-585-1279

## SAUDI ARABIA

Phone: +966-3-341-0278  
Fax: +966-3-341-7624

## SINGAPORE

Phone: +65-6861-6100  
Fax: +65-6861-7172

## SOUTH AFRICA

Phone: +27-11-452-1550  
Fax: +27-11-452-6542

## SOUTH & CENTRAL

### AMERICA AND THE CARIBBEAN

Phone: +55-12-2134-1201  
Fax: +55-12-2134-1238

## SPAIN

Phone: +34-93-652-6430  
Fax: +34-93-652-6444

## UNITED ARAB EMIRATES

Phone: +971-4-8991-777  
Fax: +971-4-8991-778

## UNITED KINGDOM

### Wooburn Green

Phone: +44-1628-536300  
Fax: +44-1628-536319

## UNITED STATES

### Massachusetts

Phone: +1-508-586-4600  
Fax: +1-508-427-8971

### Corpus Christi, Texas

Phone: +1-361-881-8182  
Fax: +1-361-881-8246

### Deer Park, Texas

Phone: +1-281-884-1000  
Fax: +1-281-884-1010

### Houston, Texas

Phone: +1-281-671-1640  
Fax: +1-281-671-1735

### California

Phone: +1-562-941-7610  
Fax: +1-562-941-7810



\* Masoneilan, SVI, FVP, LodB, ValVue, VRT, V-LOG and LE Packing are registered trademarks of the General Electric Company.  
Other company names and product names used in this document are the registered trademarks or trademarks of their respective owners.

© 2012 General Electric Company. All rights reserved.

GEA19372 07/2012

[Formerly Masoneilan BH41005]