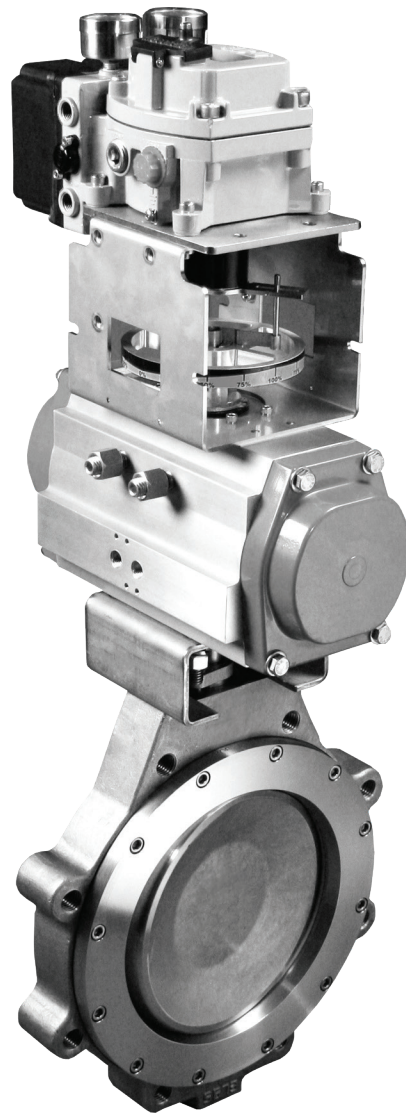


GE Oil & Gas

39004 Series

Masoneilan* High Performance
Butterfly Valve

Instruction Manual



THESE INSTRUCTIONS PROVIDE THE CUSTOMER/OPERATOR WITH IMPORTANT PROJECT-SPECIFIC REFERENCE INFORMATION IN ADDITION TO THE CUSTOMER/OPERATOR'S NORMAL OPERATION AND MAINTENANCE PROCEDURES. SINCE OPERATION AND MAINTENANCE PHILOSOPHIES VARY, GE (GENERAL ELECTRIC COMPANY AND ITS SUBSIDIARIES AND AFFILIATES) DOES NOT ATTEMPT TO DICTATE SPECIFIC PROCEDURES, BUT TO PROVIDE BASIC LIMITATIONS AND REQUIREMENTS CREATED BY THE TYPE OF EQUIPMENT PROVIDED.

THESE INSTRUCTIONS ASSUME THAT OPERATORS ALREADY HAVE A GENERAL UNDERSTANDING OF THE REQUIREMENTS FOR SAFE OPERATION OF MECHANICAL AND ELECTRICAL EQUIPMENT IN POTENTIALLY HAZARDOUS ENVIRONMENTS. THEREFORE, THESE INSTRUCTIONS SHOULD BE INTERPRETED AND APPLIED IN CONJUNCTION WITH THE SAFETY RULES AND REGULATIONS APPLICABLE AT THE SITE AND THE PARTICULAR REQUIREMENTS FOR OPERATION OF OTHER EQUIPMENT AT THE SITE.

THESE INSTRUCTIONS DO NOT PURPORT TO COVER ALL DETAILS OR VARIATIONS IN EQUIPMENT NOR TO PROVIDE FOR EVERY POSSIBLE CONTINGENCY TO BE MET IN CONNECTION WITH INSTALLATION, OPERATION OR MAINTENANCE. SHOULD FURTHER INFORMATION BE DESIRED OR SHOULD PARTICULAR PROBLEMS ARISE WHICH ARE NOT COVERED SUFFICIENTLY FOR THE CUSTOMER/OPERATOR'S PURPOSES THE MATTER SHOULD BE REFERRED TO GE.

THE RIGHTS, OBLIGATIONS AND LIABILITIES OF GE AND THE CUSTOMER/OPERATOR ARE STRICTLY LIMITED TO THOSE EXPRESSLY PROVIDED IN THE CONTRACT RELATING TO THE SUPPLY OF THE EQUIPMENT. NO ADDITIONAL REPRESENTATIONS OR WARRANTIES BY GE REGARDING THE EQUIPMENT OR ITS USE ARE GIVEN OR IMPLIED BY THE ISSUE OF THESE INSTRUCTIONS.

THESE INSTRUCTIONS ARE FURNISHED TO THE CUSTOMER/OPERATOR SOLELY TO ASSIST IN THE INSTALLATION, TESTING, OPERATION, AND/OR MAINTENANCE OF THE EQUIPMENT DESCRIBED. THIS DOCUMENT SHALL NOT BE REPRODUCED IN WHOLE OR IN PART WITHOUT THE WRITTEN APPROVAL OF GE.

Contents	Page
Important: Safety Information.....	1
Introduction.....	2
1.0 Installation	2
2.0 Maintenance	3
3.0 Stem Seal Replacement.....	3
4.0 Seat Replacement.....	3
5.0 Disc and Stem Replacement.....	4
Special Instructions for Fire Safe Butterfly Valve	6
1.0 Installation	6
2.0 Stem Seal Replacement.....	6
3.0 Seat Replacement.....	6
4.0 Stem and Disc Replacement.....	6
5.0 Field Adjustments – All Valves.....	6

Safety Information

Important -

Please Read Before Installation

These instructions contain **DANGER**, **WARNING**, and **CAUTION** labels, where necessary, to alert you to safety related or other important information. Read the instructions carefully **before** installing and maintaining your control valve. **DANGER** and **WARNING** hazards are related to personal injury. **CAUTION** hazards involve equipment or property damage. Operation of damaged equipment can, under certain operational conditions, result in degraded process system performance that can lead to injury or death. Total compliance with all **DANGER**, **WARNING**, and **CAUTION** notices is required for safe operation.



This is the safety alert symbol. It alerts you to potential personal injury hazards. Obey all safety messages that follow this symbol to avoid possible injury or death.



Indicates a potentially hazardous situation which, if not avoided, could result in death or serious injury.



Indicates a potentially hazardous situation which, if not avoided, could result in serious injury.



Indicates a potentially hazardous situation which, if not avoided, could result in minor or moderate injury.



When used without the safety alert symbol indicates a potentially hazardous situation which, if not avoided, could result in property damage.

NOTE: Indicates important facts and conditions.

About this Manual

- The information in this manual is subject to change without prior notice.
- The information contained in this manual, in whole or part, shall not be transcribed or copied without GE's written permission.
- Please report any errors or questions about the information in this manual to your local supplier.
- These instructions are written specifically for the 39004 Series control valves and do not apply for other valves outside of this product line.

Life Period

The current estimated useful life period for the Masoneilan 39004 Series control valve is 25+ years. To maximize the useful life of the product it is essential to conduct annual inspections, routine maintenance and ensure proper installation to avoid any unintended stresses on the product. The specific operating conditions will also impact the useful life of the product. Consult the factory for guidance on specific applications if required prior to installation.

Warranty

Items sold by General Electric are warranted to be free from defects in materials and workmanship for a period of one year from the date of shipment provided said items are used according to GE recommended usages. GE reserves the right to discontinue manufacture of any product or change product materials, design or specifications without notice.

This instruction manual applies to the Masoneilan 39004 Series control valves.

The 39004 Series control valves **MUST BE:**

- Installed, put into service and maintained by qualified and competent professionals who have undergone suitable training.
- Under certain operating conditions, the use of damaged equipment could cause a degradation of the performance of the system which may lead to personal injury or death.
- Changes to specifications, structure, and components used may not lead to the revision of this manual unless such changes affect the function and performance of the product.
- All surrounding pipe lines must be thoroughly flushed to ensure all entrained debris has been removed from the system.

Introduction

The Masoneilan 39004 Series High Performance Butterfly Valve (HPBV) is a double-offset design, suitable for a wide range of services, including oxygen, chlorine, sour gas, vacuum, and steam applications. Bubbletight shutoff is provided throughout a wide range of operating conditions.

Suitable for both modulating and on/off services, the 39004 butterfly valve is easily automated with your choice of manual operators, electric and pneumatic actuators, positioners, and controls.

The 39004 HPBV is available in a Fire Safe model qualified to API 607 4th Edition and BS 6755 part 2.

Additional information about the Masoneilan 39004 HBPV – including application data, engineering specifications, and actuator selection is available from the GEA20232 Technical Specifications as well as your GE sales representative.

1. Installation

Special instructions for Fire Safe valves appear on page 6.

1. The 39004 Series High Performance Butterfly Valve is designed to be mounted between ASME flanges. When the valve is open, the disc will extend into the pipe on both sides of the valve – further on the body side than the seat retainer side of the valve. Piping must be large enough to allow the disc to clear the pipe. The charts below show the minimum pipe ID allowable, and standard pipe IDs. In general, Class 150 valves will clear Schedule 40 pipe, and Class 300 valves will clear

Schedule 80 pipe adequately. Class 600 will in general clear Schedule 80 sizes 3, 4, and 6; and Schedule 100 in sizes 8, 10, 12, 14, and 16.

2. If handle or actuator has been removed, do not rotate disc beyond full open or closed position – this could cause damage to sealing surfaces. (NOTE: The 39004 Series valves are equipped with stops to prevent over closure.) The valve is opened by turning counter-clockwise, closed by turning clockwise. The double “D” flats or keyway at the top of the stem is parallel to the disc edge.
3. For maximum service life, install the valve with the seat retainer upstream. Positive shutoff will be obtained with the valve in either position; however, installation with the seat retainer upstream will give longer service life, especially in erosive services.
4. With the disc in closed position, carefully center valve between flanges. Guide holes (wafer pattern valve) or tapped holes (lugged valves) match ASME pipe flanges and assist in positive alignment.
5. Use standard torques when bolting valve into the line. The seat is sufficiently compressed by the seat retainer, and additional force from flange bolting is not required.
6. Gaskets should conform to the requirements of API Standard 601, Edition 3 for ASME/ANSI B16.5 class flanges. Spiral wound gaskets, such as Flexitallic CG or CGI series, conforming to ASME/ANSI B16.20 are acceptable.

Minimum Inside Diameter of Pipe with the Recommended Clearance

Valve Size	Class		
	150	300	600
3	2.86	2.86	2.75
4	3.72	3.72	3.56
6	5.88	5.75	5.38
8	7.80	7.56	6.88
10	9.78	9.44	8.50
12	11.74	11.31	10.12
14	12.90	11.38	10.88
16	14.68	14.31	12.62
18			14.40
20			15.86
24	22.50	20.68	
30	28.55	27.06	
32	30.69		
36	34.50	33.63	
40	37.55	36.59	
42	39.55	38.67	
44		38.67	
48	51.09	45.13	
54	52.95		
60	58.25		

Nominal Inside Diameter of Pipe

Valve Size	Schedule		
	40	80	100
3	3.068	2.900	
4	4.026	3.826	
6	6.065	5.761	
8	7.981	7.625	7.439
10	10.020	9.564	9.314
12	11.938	11.376	11.064
14	13.124	12.500	12.126
16	15.000	14.314	13.938
18	16.876	16.126	
20	18.814	17.938	
24	22.626	21.564	

NOTES:

1. Minimum I.D. of pipe with recommended clearances (per API 609) have been calculated by adding the minimum I.D. with zero clearance to a minimum recommended diametric clearance for each pipe size.
2. These charts assume that the pipe is on the body side of the valve and that the pipe is perfectly centered. The seat retainer side of the valve will always have more clearance than the body side.
3. A minimum of 1/16" thick gasket is used between the pipe flange and valve body face.
4. When using a pipe whose I.D. is smaller than the recommended minimum inside diameter of pipe with adequate clearance, a chamfer of 45° should be provided on the end of the pipe so that it clears the disc.

2. Maintenance

1. Reasonable precautions should be taken before beginning work on the valve. Protective clothing, as required by the specific line fluid, should be worn.
2. Before removing handle or the actuator from the valve, or before removing seat retainer from a valve in dead end service, close the valve and depressurize the line. The eccentric design of the 39004 Series may allow line pressure to open the valve if the handle / actuator is not in place while the valve is under pressure.

DO NOT PRESSURIZE THE LINE WITHOUT A HANDLE OR ACTUATOR ON THE VALVE.

3. The 39004 Series valve must be in the closed position to be removed from the line.
4. Begin all work on a valve that has been removed from the line by cleaning the valve, removing any grit or scale. When handling the valve, care should be taken not to scratch the disc edge or seats.
5. Replacement seats, seals and other parts are available from authorized distributors. Contact your distributor or sales representative for details of price and delivery.

3. Stem Seal Replacement

Refer to drawing on page 5 for parts identification.

1. If required, remove handle assembly. Remove socket head cap screws (21) and lock washers (22). Remove mounting bracket (20). For actuated valves, unbolt mounting bracket from body and lift actuator assembly off stem. Note assembly positions before removal.
2. Remove gland retainer nuts (14) and lock washers (13). Remove gland retainer (11) anti-blowout retaining ring or split ring (10) (depending on size), and gland ring (7).
3. Hook out stem seals (8), taking care not to scratch stem or stuffing box bore. Do not remove thrust washer (9), unless further valve disassembly is required.
4. Examine stuffing box bore and stem, clean as necessary to remove any corrosion or foreign matter before installing new seals.
5. Install new seals in stuffing box one at a time, TFE (white) seals first, with the carbon fiber ring at the top. Stagger seal ring joints 180° apart when installing. Tamp each ring to bottom before installing next ring.
NOTE: On the larger valves it will be necessary to compress each seal before adding the next.
6. Slide gland ring (7) over stem on top of seals (8). Install anti-blowout retaining ring or split ring (10) (depending on valve size). Slide gland retainer (11) over stem and onto gland studs (12). Place lockwashers (13) and hex nuts (14) on studs (12) and tighten finger tight. Tighten gland nuts (14) evenly and alternately to the proper torque value given in Table 2.
7. Remount actuator, or mounting bracket (20) with lock washers (22) and cap screws (21) and handle (27). Tighten handle set screw (28) to secure the handle to the valve stem.

8. Operate valve open and closed several times, to check for binding and to set the stem seals. Loosen gland nuts (14) and retighten to torque value given in Table 2.

Table 1 - Total Number of Stem Seals

CF = Carbon Fiber

Valve Size	Class 150		Class 300		Class 600	
	Number of Stem Seals	Material CF / TFE	Number of Stem Seals	Material CF / TFE	Number of Stem Seals	Material CF / TFE
3	4	1 / 3	4	1 / 3	12	2 / 10
4	4	1 / 3	4	1 / 3	12	2 / 10
6	4	1 / 3	4	1 / 3	16	2 / 14
8	5	1 / 4	5	1 / 4	16	2 / 14
10	5	1 / 4	5	1 / 4	18	0 / 18
12	5	1 / 4	5	1 / 4	18	0 / 18
14	6	0 / 6	6	0 / 6	18	0 / 18
16	6	0 / 6	9	0 / 9	16	0 / 16
18					16	0 / 16
20					16	0 / 16
24	10	0 / 10	8	0 / 8		
30	8	0 / 8	9	0 / 9		
32	8	0 / 8				
36	8	0 / 8	9	0 / 9		
40	9	0 / 9	9	0 / 9		
42	9	0 / 9	9	0 / 9		
44			9	0 / 9		
48	9	0 / 9	9	0 / 9		
54	9	0 / 9				
60	9	0 / 9				

4. Seat Replacement

1. With the disc in the closed position, remove the valve from the line.
2. Lay the valve down with the disc in the closed position and the seat retainer side facing up.
3. Remove the socket head cap screws (17), the seat retainer (16), and seat (15).
4. Carefully clean the seat area in the body and seat retainer. Remove foreign matter, dirt, etc. Check disc seating area for nicks or scratches.
5. Place the new seat (15) on disc (2), carefully centering it in the recess in the body.
6. Align the holes in the seat retainer (16) with matching holes in body and carefully place in position on top of seat (15). Be careful not to shift retainer to align holes so that seat is not shifted from correct position. Lightly grease cap screw (17) threads and tighten down evenly, alternating from top to bottom and side-to-side. Tighten to the torque value in Table 2.
7. Operate valve several times and examine seat for any damage before reinstalling the valve in the line.

Table 2 - Gland Retainer Nut and Seat Retainer Screw Torque

Valve Size	Gland Nut			Seat Retainer Screws		
	150	300	600	150	300	600
3	60	60	80	100	100	100
4	60	60	100	175	175	175
6	80	120	140	100	175	300
8	80	140	200	175	175	300
10	110	190	200	175	300	300
12	130	220	200	300	300	300
14	130	200	240	300	300	500
16	150	220	240	300	300	750
18			400			1500
20			480			1500
24	190	240		500	500	
30	210	310		500	750	
32	210			750		
36	240	360		500	1500	
40	280	420		500	1500	
42	280	420		500	1500	
44		420			1500	
48	300	600		750	1500	
54	360				1500	
60	500				1500	

5. Disc and Stem Replacement

Refer to drawing on page 5 for parts identification.

NOTE: Stem and disc are supplied as a matched set with taper pins and are to be replaced as a set.

1. For handle-operated valves, loosen set screw (28) and remove handle assembly (27). Remove socket head cap screws (21) and lock washers (22). Remove mounting bracket (20). For actuated valves, unbolt mounting bracket from body and lift actuator assembly off stem. Note assembly positions before removal.
2. Remove gland retainer nuts (14) and lock washers (13). Remove gland retainer (11), anti-blowout retaining ring or split ring (10) (depending on valve size), and gland ring (7).
3. Hook out stem seals (8) taking care not to scratch stem or stuffing box bore.
4. Remove locating plug (19) and gasket (18).
5. Remove cap screws (17), seat retainer (16), and seat (15).
6. Turn disc to the full open position and drill out tack welds on large end of taper pins (4). Take care to support valve so that disc surfaces are not scratched. Drill sizes to remove tack welds as given in Table 3.
7. Place valve in flat position, with flat face of disc up. Support disc and body on wooden blocks to protect disc and body surfaces. Disc will rest in partially open position.
8. Knock out taper pins (4) using a rod or punch on small end of pin (opposite tack weld). It may be necessary to lift body and rotate disc slightly to do this. Make sure disc is resting on wood block since it will swing freely on stem with pins removed.

When pins (4) are out, lay body down so disc and body are evenly supported on flat surface.

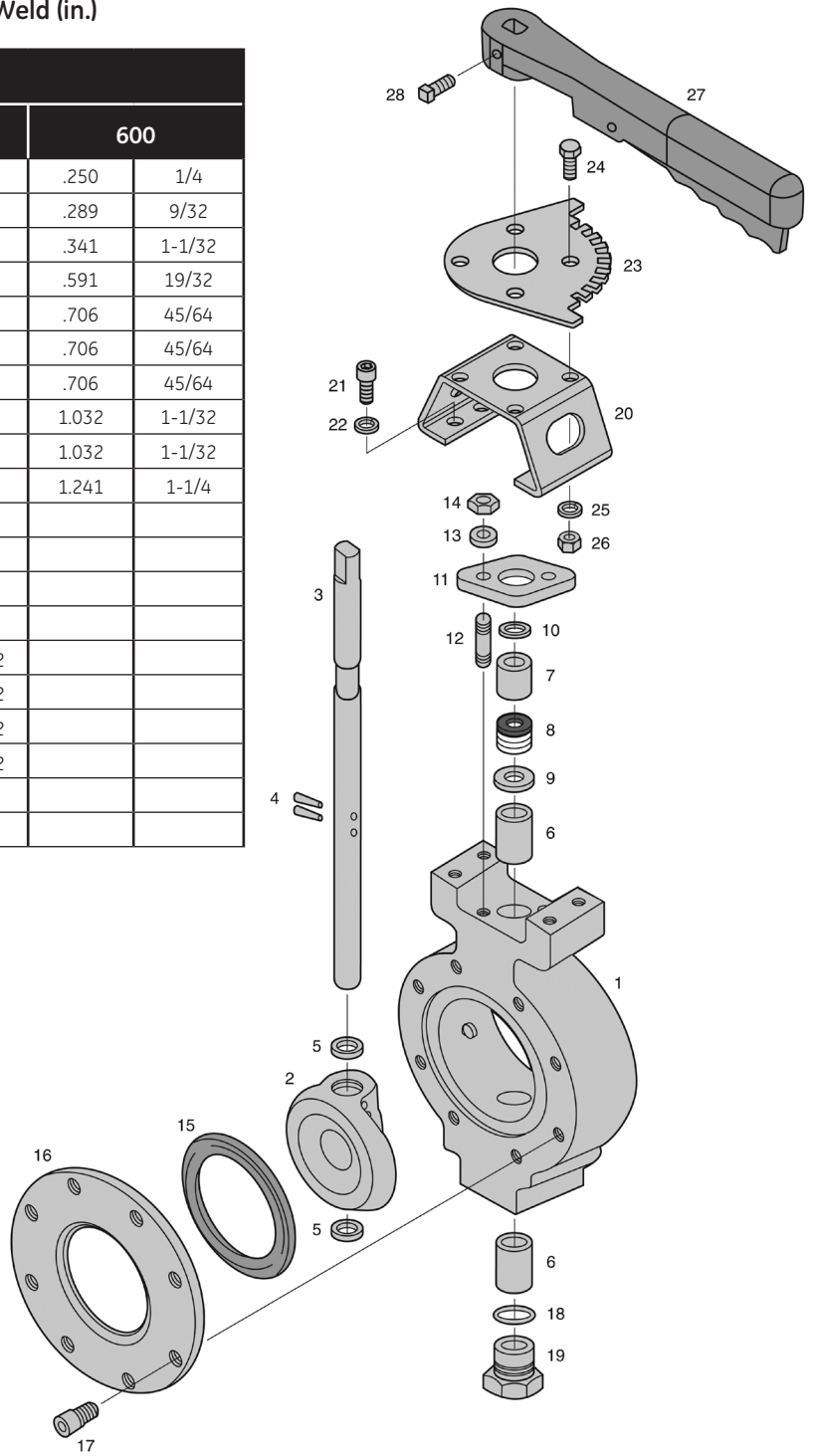
9. Using a brass bar or drift punch, knock stem (3) loose and pull from body. After long or severe service this may take considerable force. Be careful not to damage bearings, spacers or body.

NOTE: Disc spacers (5) are used at top and bottom of disc to properly position disc in body. Proper spacers were selected at initial assembly and rarely require replacement. The location of these spacers should be noted, and the spacers marked at disassembly so that they are reinstalled in the same positions, top and bottom.

10. Separate body from disc, and remove thrust washer (9) from packing bore.
11. Examine stem bearings (6) for excessive wear. If removed from body, note position and mark to reinstall in same location. Replacement is rarely needed, however, if bearing liner is worn through to the shell, or severe damage is evident they should be replaced.
12. Clean body thoroughly to remove all dirt, foreign matter, rust, etc.
13. Place the body (1) flat, seat retainer side up, and support it on wooden blocks sufficiently above the work surface as to facilitate insertion of the disc (2) in open position. Lower the disc into position, aligning the bores in body and disc.
14. Insert new stem (3) in body (1) with large end of the taper pin holes toward the top. Assemble disc spacers (5) as stem (3) is inserted, making sure that spacers are returned to original locations as marked.
15. Align taper pin holes in disc and stem, and install taper pins (4). Drive pins in tightly with rod or punch, and tack weld each pin (4) to disc (2) at large end of pin.
16. Install new gasket (18) on locating plug (19) and install plug in body.
17. Install new stem seals, following instructions in "Stem Seal Replacement" section.
18. Install new seat, following instructions in "Seat Replacement" section.
19. Remount handle assembly or actuator, and operate valve several times to verify proper operation. Examine disc and seat for any damage before reinstalling in line.

Table 3 - Drill Size to Remove Tack Weld (in.)

Valve Size	Class					
	150		300		600	
3	.234	15/64	.234	15/64	.250	1/4
4	.234	15/64	.234	15/64	.289	9/32
6	.234	15/64	.234	15/64	.341	1-1/32
8	.234	15/64	.234	15/64	.591	19/32
10	.234	15/64	.234	15/64	.706	45/64
12	.234	15/64	.234	15/64	.706	45/64
14	.591	19/32	.234	15/64	.706	45/64
16	.706	45/64	.706	45/64	1.032	1-1/32
18					1.032	1-1/32
20					1.241	1-1/4
24	.706	45/64	1.032	1-1/32		
30	1.033	1-1/32	1.241	1-1/4		
32	1.033	1-1/32				
36	1.033	1-1/32	1.241	1-1/4		
40	1.241	1-1/4	1.521	1-17/32		
42	1.241	1-1/4	1.521	1-17/32		
44			1.521	1-17/32		
48	1.241	1-1/4	1.521	1-17/32		
54	1.521	1-17/32				
60	1.521	1-17/32				



Parts List

Ref No.	Description
1.	Body
2.	Disc
3.	Stem
4.	Taper Pin
5.	Disc Spacer
6.	Bearing Assembly
7.	Gland Ring
8.	Stem Seal
9.	Thrust Washer
10.	Retaining Ring

Ref No.	Description
11.	Gland Retainer
12.	Stud
13.	Lock Washer
14.	Hex Nut
15.	Seat Assembly
16.	Seat Retainer Plate
17.	Cap Screw
18.	O-Ring Gasket
19.	Locating Plug

Ref No.	Description
20.	Mounting Bracket
21.	Cap Screw
22.	Lock Washer
23.	Notch Plate
24.	Bolt
25.	Lock Washer
26.	Hex Nut
27.	Handle Assembly
28.	Handle Set Screw

Special Instructions For Fire Safe Butterfly Valve

1. Installation

1. The Fire Safe 39004 Series valve will provide fire-safe shutoff with flow in either direction, meeting API 607 and British Standard 6755 part 2 criteria, as well as bubble-tight shutoff in either direction in normal service. However, installation with the seat retainer upstream provides maximum protection to the soft seat, and will increase seat life, especially in erosive services.
2. Installation bolting information and dimensional data given for the standard Masoneilan valves is also applicable to the Fire Safe versions.

2. Stem Seal Replacement

The procedure for replacement on page 3 also applies to Fire Safe valves, with the following exceptions:

1. Graphite stem seals are used in the Fire Safe valves. The arrangement of the two types of stem seals when installed is: bottom seal carbon fiber braided ring; center seals – graphite rings; top seal carbon fiber braided ring.
2. Table 4 shows stem seal quantities for class 150 and 300 valves.

Table 4 - Total Number of Stem Seals

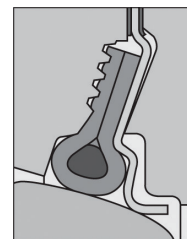
CF = Carbon Fiber
G = Formed Graphite

Valve Size	Class 150		Class 300		Class 600	Gland Nut Torque	
	Number of Stem Seals	Material CF / G	Number of Stem Seals	Material CF / G		Class 150	Class 300
3	4	2 / 2	4	2 / 2	NO FIRE SAFE VERSION	35	45
4	4	2 / 2	4	2 / 2		35	45
6	4	2 / 2	4	2 / 2		45	65
8	5	2 / 3	5	2 / 3		45	80
10	5	2 / 3	5	2 / 3		65	100
12	5	2 / 3	5	2 / 3		65	100
14	6	2 / 4	8	2 / 6		80	125
16	6	2 / 4	9	2 / 7		100	150
18	9	2 / 7	9	2 / 7		100	150
20	9	2 / 7	9	2 / 7		100	150
24	10	2 / 8	8	2 / 6		150	200

3. Seat Replacement

1. With the disc in the closed position, remove the valve from the line.
2. Lay the valve down with the disc in the closed position and the seat retainer side facing up.
3. Remove socket head cap screws, seat retainer, metal fire seat, gaskets, and soft seat.

4. Carefully remove graphite gaskets from metal seat. Do not bend or crimp metal seat. All traces of the old gaskets must be removed.
5. Clean seat retainer and body surfaces to remove any adhering gasket material, corrosion, or other foreign material. Examine disc seating surfaces for damage, and examine seating surface of metal seat for wear or damage. Replace if damaged.
6. Place new seat on disc, carefully centering in body recess.
7. Place new graphite gasket on the body. Position metal seat over the disc, lip facing out, on top of the polymer seat. Place another graphite gasket on top of the metal seat. Graphite gaskets can be first attached to the metal seat to simplify the assembly. Spray a suitable adhesive, like 3M Super 77™ general purpose adhesive or similar, in 3 or 4 spots on both sides of the metal seat to hold the gaskets in position. Handle the gaskets carefully as they are very thin and are easily torn or scratched.
8. Align holes in seat retainer with holes in body and seat, and carefully place seat retainer in position, on top of seat. Be careful that seats do not shift when retainer is installed. Lightly grease cap screw threads and tighten down evenly in a criss-cross pattern to assure proper centering and uniform compression. Torque cap screws to the values given in Table 2 on page 4.
9. Lubricate the disc edge with molybdenum disulfide spray or similar lubricant, if available. As a minimum, lubricate the disc edge with light machine oil or light grease. Operate valve several times and examine seat for damage before reinstalling in line.



4. Stem and Disc Replacement

The same procedures apply to Fire Safe valves as to the standard valves, with the addition of the special requirements for stem seal and seat replacement.

5. Field Adjustments – All Valves

Stem Seal Leakage

Should leakage occur at the stem seals, it may be stopped by retightening the gland retainer nuts to the values specified in Tables 2 or 4. Do not overtighten gland nuts, as this may cause increased operating torque, and improper valve operation or closure. If the leakage cannot be stopped by this action, the stem seals require replacement.

Adjusting Valve Closure

Valves with gear actuators or electric / pneumatic actuators may require adjustment of the travel stops in the actuator to properly close valve for tight shut-off. The following procedure should be followed to set travel or limit stops. (It is recommended that the valve must be removed from line for this procedure and actuator mounting).

1. Using a straight-edge and vernier or depth caliper, measure the distances from the face of the seat retainer to the disc (valve closed) face at the 3 o'clock and 9 o'clock positions (stem is at 12 o'clock position). The measurements must agree within 1/16" (0.062").
2. If they do not agree, disc must be rotated in the direction of the larger dimension. If the 3 o'clock dimension is larger, the disc is not fully closed, and must be rotated in the "close" direction more. If 9 o'clock dimension is larger, disc is over-closed, and must be opened slightly.
3. The valve disc is at the full open position when the disc is perpendicular to the body. Set the "open" actuator stop for this position. Do not allow the valve to over-open as this may damage the disc seating surfaces by hitting body or attached piping.
4. On gear operators, loosen and adjust the closing stop screw to permit proper disc positioning. Adjust and lock down when disc closure is within measured tolerance in paragraph 1. Open and close valve; recheck measurements before reinstalling in line.
5. For other power actuators, consult the manufacturer's instructions for setting travel stops, as these vary with actuator model and type.
6. If removing the valve from the line is not practical, as a crude remedy the disc can be placed into a position in the seat at which the leakage stops and travel stops are adjusted to this position.

Notes

DIRECT SALES OFFICE LOCATIONS

AUSTRALIA

Brisbane:
Phone: +61-7-3001-4319
Fax: +61-7-3001-4399

Perth:
Phone: +61-8-6595-7018
Fax: +61 8 6595-7299

Melbourne:
Phone: +61-3-8807-6002
Fax: +61-3-8807-6577

BELGIUM

Phone: +32-2-344-0970
Fax: +32-2-344-1123

BRAZIL

Phone: +55-11-2146-3600
Fax: +55-11-2146-3610

CHINA

Phone: +86-10-5689-3600
Fax: +86-10-5689-3800

FRANCE

Courbevoie
Phone: +33-1-4904-9000
Fax: +33-1-4904-9010

GERMANY

Ratingen
Phone: +49-2102-108-0
Fax: +49-2102-108-111

INDIA

Mumbai
Phone: +91-22-8354790
Fax: +91-22-8354791

New Delhi

Phone: +91-11-2-6164175
Fax: +91-11-5-1659635

ITALY

Phone: +39-081-7892-111
Fax: +39-081-7892-208

JAPAN

Chiba
Phone: +81-43-297-9222
Fax: +81-43-299-1115

KOREA

Phone: +82-2-2274-0748
Fax: +82-2-2274-0794

MALAYSIA

Phone: +60-3-2161-0322
Fax: +60-3-2163-6312

MEXICO

Phone: +52-55-3640-5060

THE NETHERLANDS

Phone: +31-15-3808666
Fax: +31-18-1641438

RUSSIA

Veliky Novgorod
Phone: +7-8162-55-7898
Fax: +7-8162-55-7921

Moscow

Phone: +7 495-585-1276
Fax: +7 495-585-1279

SAUDI ARABIA

Phone: +966-3-341-0278
Fax: +966-3-341-7624

SINGAPORE

Phone: +65-6861-6100
Fax: +65-6861-7172

SOUTH AFRICA

Phone: +27-11-452-1550
Fax: +27-11-452-6542

SOUTH & CENTRAL

AMERICA AND THE CARIBBEAN
Phone: +55-12-2134-1201
Fax: +55-12-2134-1238

SPAIN

Phone: +34-93-652-6430
Fax: +34-93-652-6444

UNITED ARAB EMIRATES

Phone: +971-4-8991-777
Fax: +971-4-8991-778

UNITED KINGDOM

Bracknell
Phone: +44-1344-460-500
Fax: +44-1344-460-537

Skelmersdale

Phone: +44-1695-526-00
Fax: +44-1695-526-01

UNITED STATES

Massachusetts
Phone: +1-508-586-4600
Fax: +1-508-427-8971

Corpus Christi, Texas

Phone: +1-361-881-8182
Fax: +1-361-881-8246

Deer Park, Texas

Phone: +1-281-884-1000
Fax: +1-281-884-1010

Houston, Texas

Phone: +1-281-671-1640
Fax: +1-281-671-1735



* Masoneilan is a registered trademark of the General Electric Company.

Other company names and product names used in this document are the registered trademark or trademarks of their respective owners.

© 2015 General Electric Company. All rights reserved.

GEA31752 03/2015