

GE Oil & Gas

Masoneilan*

30000 Series Varimax*

Rotary Control Valve

Parts Supplement Information



THESE INSTRUCTIONS PROVIDE THE CUSTOMER/OPERATOR WITH IMPORTANT PROJECT-SPECIFIC REFERENCE INFORMATION IN ADDITION TO THE CUSTOMER/OPERATOR'S NORMAL OPERATION AND MAINTENANCE PROCEDURES. SINCE OPERATION AND MAINTENANCE PHILOSOPHIES VARY, GE (GENERAL ELECTRIC COMPANY AND ITS SUBSIDIARIES AND AFFILIATES) DOES NOT ATTEMPT TO DICTATE SPECIFIC PROCEDURES, BUT TO PROVIDE BASIC LIMITATIONS AND REQUIREMENTS CREATED BY THE TYPE OF EQUIPMENT PROVIDED.

THESE INSTRUCTIONS ASSUME THAT OPERATORS ALREADY HAVE A GENERAL UNDERSTANDING OF THE REQUIREMENTS FOR SAFE OPERATION OF MECHANICAL AND ELECTRICAL EQUIPMENT IN POTENTIALLY HAZARDOUS ENVIRONMENTS. THEREFORE, THESE INSTRUCTIONS SHOULD BE INTERPRETED AND APPLIED IN CONJUNCTION WITH THE SAFETY RULES AND REGULATIONS APPLICABLE AT THE SITE AND THE PARTICULAR REQUIREMENTS FOR OPERATION OF OTHER EQUIPMENT AT THE SITE.

THESE INSTRUCTIONS DO NOT PURPORT TO COVER ALL DETAILS OR VARIATIONS IN EQUIPMENT NOR TO PROVIDE FOR EVERY POSSIBLE CONTINGENCY TO BE MET IN CONNECTION WITH INSTALLATION, OPERATION OR MAINTENANCE. SHOULD FURTHER INFORMATION BE DESIRED OR SHOULD PARTICULAR PROBLEMS ARISE WHICH ARE NOT COVERED SUFFICIENTLY FOR THE CUSTOMER/OPERATOR'S PURPOSES THE MATTER SHOULD BE REFERRED TO GE.

THE RIGHTS, OBLIGATIONS AND LIABILITIES OF GE AND THE CUSTOMER/OPERATOR ARE STRICTLY LIMITED TO THOSE EXPRESSLY PROVIDED IN THE CONTRACT RELATING TO THE SUPPLY OF THE EQUIPMENT. NO ADDITIONAL REPRESENTATIONS OR WARRANTIES BY GE REGARDING THE EQUIPMENT OR ITS USE ARE GIVEN OR IMPLIED BY THE ISSUE OF THESE INSTRUCTIONS.

THESE INSTRUCTIONS ARE FURNISHED TO THE CUSTOMER/OPERATOR SOLELY TO ASSIST IN THE INSTALLATION, TESTING, OPERATION, AND/OR MAINTENANCE OF THE EQUIPMENT DESCRIBED. THIS DOCUMENT SHALL NOT BE REPRODUCED IN WHOLE OR IN PART WITHOUT THE WRITTEN APPROVAL OF GE.

Table of Contents

- 1. Valve Drawings _____ 5
- 2. Spare Parts for Body S/A _____ 6
 - 2.1. Notes _____ 6
 - 2.2. Spare parts for 2" body S/A _____ 6
 - 2.3. Spare parts for 3" body S/A _____ 6
 - 2.4. Spare parts for 4" body S/A _____ 7
 - 2.5. Spare parts for 6" body S/A _____ 8
 - 2.6. Spare parts for 8" body S/A _____ 9
 - 2.7. Spare parts for 10" body S/A _____ 10
 - 2.8. Spare parts for 12" body S/A _____ 11
 - 2.9. Spare parts for 16" body S/A _____ 12
- 3. Spare Parts for Actuator _____ 13
- 4. Modification in Seat Ring Design _____ 13

About this Parts Supplement Information

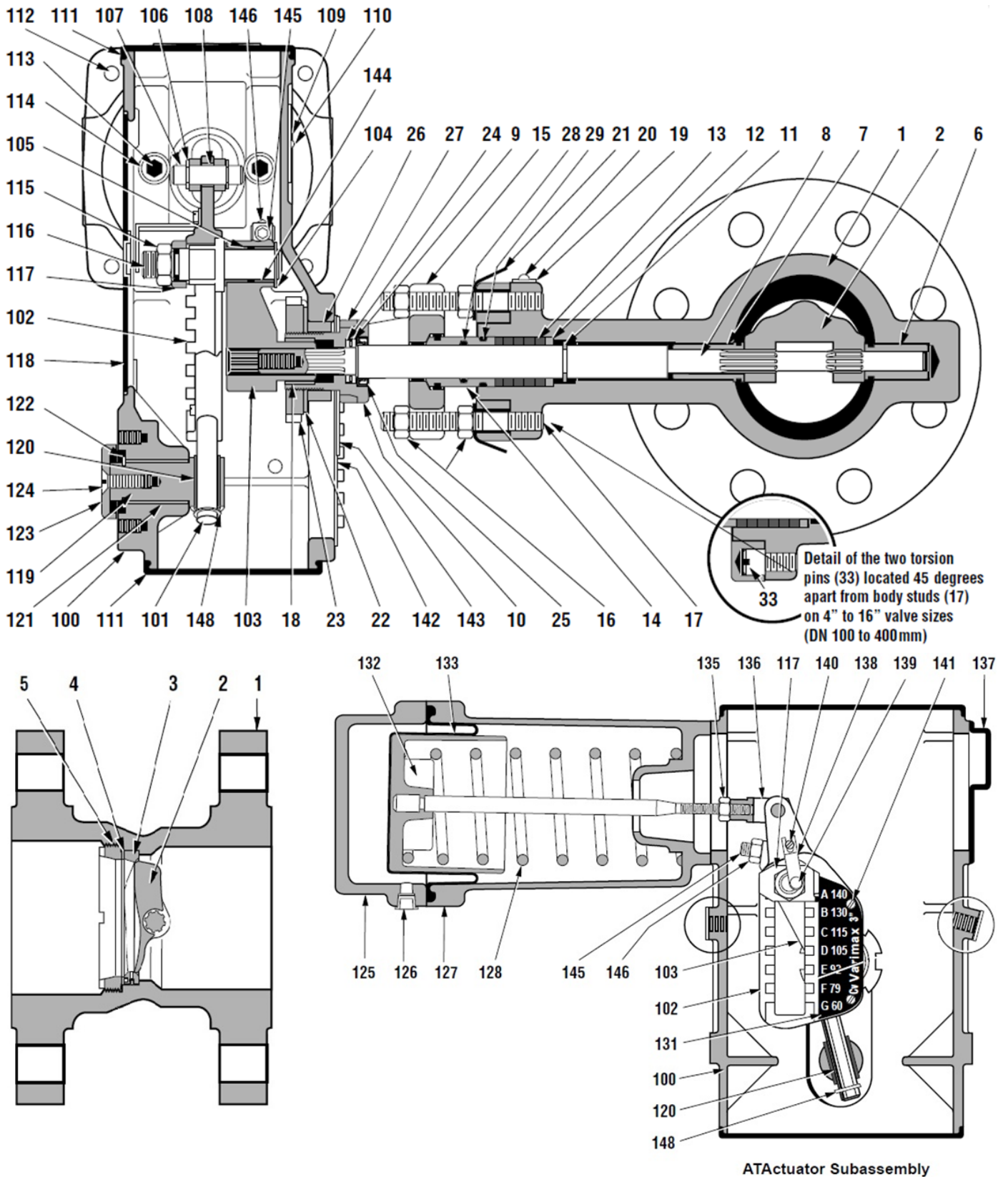
- The information contained in this document is subject to change without prior notice.
- The information contained in this document, in whole or part, shall not be transcribed or copied without GE's written permission.
- Please report any errors or questions about the information in this manual to your local supplier.
- These instructions are written specifically for the 30000 Series Varimax control valves, and do not apply for other valves outside of this product line.

Warranty

Items sold by General Electric are warranted to be free from defects in materials and workmanship for a period of one year from the date of shipment provided said items are used according to GE recommended usages. GE reserves the right to discontinue manufacture of any product or change product materials, design or specifications without notice.

**FOR INSTALLATION & OPERATION INSTRUCTIONS, PLEASE REFER TO
MASONELAN INSTRUCTION MANUAL EN3000**

1. Valve Drawings



2. Spare Parts for Body S/A

2.1. Notes

**All available spare parts are disclosed in this document.
Any other part is obsolete and impossible to provide.**

Note 1: Part unavailable

Note 2: Only this version available

Note 3: Option O-ring (Tag 35 to 38) on the guide bushings

2.2. Spare parts for 2" body S/A

No spare parts available.

2.3. Spare parts for 3" body S/A

VARIMAX 3"				
Tag	Description	Part number	Material	Notes
2	STD PLUG	400089680-567-0000	STELLITE N° 6	NOTE 1
2	LODB PLUG	400095915-596-0000	ASTM A 479 TY 316 + STELLITE N°6	NOTE 2
3	SEAT RING S/A STELLITE CONSTRUCTION	400123757-999-0000	STELLITE N° 6	NOTE 2
3	SEAT RING S/A SOFT SEAT CONSTRUCTION	400123759-999-4595	ASTM A 479 TY 316 + PTFE/NICKEL + ST ST	NOTE 1
5	SEAT RING RETAINER	400096866-170-0000	ASTM A 276 TY 316	
6	LOWER GUIDE BUSHING	400090175-220-0000	ASTM A 276 TY 440C	
6	LOWER GUIDE BUSHING	400090175-567-0000	STELLITE N° 6	
6	LOWER GUIDE BUSHING W/ O-RING	400105725-567-0000	STELLITE N° 6	NOTE 3
7	UPPER GUIDE BUSHING	400090174-220-0000	ASTM A 276 TY 440C	
7	UPPER GUIDE BUSHING	400090174-567-0000	STELLITE N° 6	
7	UPPER GUIDE BUSHING W/ O-RING	400105724-567-0000	STELLITE N° 6	NOTE 3
8	SHAFT - AISI 316 MATERIAL	400093627-163D0000	ASTM A 479 TY 316	
8	SHAFT - 17-4PH MATERIAL	400093627-215-0000	ASTM A 564 Gr 630 H 1075	
11	RETAINING RING	971881159-181-0000	17-4 PH ST ST	
13	PACKING SET - GRAPHITE	400100097-779-0000	GRAPHITE	
13	PACKING SET - PTFE	400107089-999-0000	PTFE + CARBONE	
25	RADIAL SEAL RING (YOKE)	400091072-680-0000	NITRILE W/ SPRING INSIDE	
28	INNER PACKING FOLLOWER O-RING	971886159-697-0000	VITON	
29	OUTER PACKING FOLLOWER O-RING	971886359-697-0000	VITON	
35	O-RING FOR GUIDE BUSHING	971886047-697-0000	VITON	
36	O-RING FOR GUIDE BUSHING	971886021-697-0000	VITON	
37	O-RING FOR GUIDE BUSHING	400105717-697-0000	VITON	
38	O-RING FOR GUIDE BUSHING	400105718-697-0000	VITON	

2.4. Spare parts for 4" body S/A

VARIMAX 4"				
Tag	Description	Part number	Material	Notes
2	STD PLUG	400089682-567-0000	STELLITE N° 6	NOTE 2
2	LODB PLUG	400094354-596-0000	ASTM A 479 TY 316 + STELLITE N°6	NOTE 2
3	SEAT RING S/A STELLITE CONSTRUCTION	400123758-999-0000	STELLITE N° 6	NOTE 2
3	SEAT RING S/A SOFT SEAT CONSTRUCTION	400123760-999-4595	ASTM A 479 TY 316 + PTFE/NICKEL + ST ST	
5	SEAT RING RETAINER	400096870-170-0000	ASTM A 276 TY 316	
6	LOWER GUIDE BUSHING	400090278-220-0000	ASTM A 276 TY 440C	
6	LOWER GUIDE BUSHING	400090278-567-0000	STELLITE N° 6	
6	LOWER GUIDE BUSHING W/ O-RING	400105727-567-0000	STELLITE N° 6	NOTE 3
7	UPPER GUIDE BUSHING	400090279-220-0000	ASTM A 276 TY 440C	
7	UPPER GUIDE BUSHING	400090279-567-0000	STELLITE N° 6	
7	UPPER GUIDE BUSHING W/ O-RING	400105726-567-0000	STELLITE N° 6	NOTE 3
8	SHAFT - AISI 316 MATERIAL	400093628-163D0000	ASTM A 479 TY 316	
8	SHAFT - 17-4PH MATERIAL	400093628-215-0000	ASTM A 564 Gr 630 H 1075	
11	RETAINING RING	971881160-181-0000	17-4 PH ST ST	
13	PACKING SET - GRAPHITE	400100099-779-0000	GRAPHITE	
13	PACKING SET - PTFE	400107090-999-0000	PTFE + CARBONE	
25	RADIAL SEAL RING (YOKE)	400091073-680-0000	NITRILE W/ SPRING INSIDE	
28	INNER PACKING FOLLOWER O-RING	971886359-697-0000	VITON	
29	OUTER PACKING FOLLOWER O-RING	971886061-697-0000	VITON	
35	O-RING FOR GUIDE BUSHING	971886184-697-0000	VITON	
36	O-RING FOR GUIDE BUSHING	971886088-697-0000	VITON	
37	O-RING FOR GUIDE BUSHING	400105719-697-0000	VITON	
38	O-RING FOR GUIDE BUSHING	400105720-697-0000	VITON	

2.5. Spare parts for 6" body S/A

VARIMAX 6"				
Tag	Description	Part number	Material	Notes
2	LODB+ PLUG	400100973-596-0000	ASTM A 479 TY 316 + STELLITE N°6	NOTE 2
2	LODB PLUG	400095262-596-0000	ASTM A 479 TY 316 + STELLITE N°6	NOTE 2
2	STD PLUG	400089684-596-0000	ASTM A 479 TY 316 + STELLITE N°6	NOTE 2
3	SEAT RING S/A STELLITE CONSTRUCTION	400121806-999-0000	ASTM A 479 TY 316 + STELLITE N°6	NOTE 2
3	SEAT RING S/A SOFT SEAT CONSTRUCTION	400123761-999-4595	ASTM A 479 TY 316 + PTFE/NICKEL + ST ST	
5	SEAT RING RETAINER	400096874-170-0000	ASTM A 276 TY 316	
6	LOWER GUIDE BUSHING	400090302-220-0000	ASTM A 276 TY 440C	
6	LOWER GUIDE BUSHING	400090302-567-0000	STELLITE N° 6	
6	LOWER GUIDE BUSHING W/ O-RING	400105729-567-0000	STELLITE N° 6	NOTE 3
7	UPPER GUIDE BUSHING	400090303-220-0000	ASTM A 276 TY 440C	
7	UPPER GUIDE BUSHING	400090303-567-0000	STELLITE N° 6	
7	UPPER GUIDE BUSHING W/ O-RING	400105728-567-0000	STELLITE N° 6	NOTE 3
8	SHAFT - AISI 316 MATERIAL	400093629-163D0000	ASTM A 479 TY 316	
8	SHAFT - 17-4PH MATERIAL	400093629-215-0000	ASTM A 564 Gr 630 H 1075	
11	RETAINING RING	971881161-181-0000	17-4 PH ST ST	
13	PACKING SET - GRAPHITE	400100101-779-0000	GRAPHITE	
13	PACKING SET - PTFE	400107091-999-0000	PTFE + CARBONE	
25	RADIAL SEAL RING (YOKE)	400091074-680-0000	NITRILE W/ SPRING INSIDE	
28	INNER PACKING FOLLOWER O-RING	971886054-697-0000	VITON	
29	OUTER PACKING FOLLOWER O-RING	971886018-697-0000	VITON	
30	UPPER SPACER (LODB)	400099564-163-0000	ASTM A 276 TY 316	
31	LOWER SPACER (LODB)	400100202-163-0000	ASTM A 276 TY 316	
35	O-RING FOR GUIDE BUSHING	971886080-697-0000	VITON	
36	O-RING FOR GUIDE BUSHING	971886121-697-0000	VITON	
37	O-RING FOR GUIDE BUSHING	971886185-697-0000	VITON	
38	O-RING FOR GUIDE BUSHING	971886101-697-0000	VITON	

2.6. Spare parts for 8" body S/A

VARIMAX 8"				
Tag	Description	Part number	Material	Notes
2	LODB+ PLUG	400100552-596-0000	ASTM A 479 TY 316 + STELLITE N°6	NOTE 2
2	LODB PLUG	400098889-596-0000	ASTM A 479 TY 316 + STELLITE N°6	NOTE 2
2	STD PLUG	400092789-596-0000	ASTM A 479 TY 316 + STELLITE N°6	NOTE 2
3	SEAT RING S/A STELLITE CONSTRUCTION	400121808-999-0000	ASTM A 479 TY 316 + STELLITE N°6	NOTE 2
3	SEAT RING S/A SOFT SEAT CONSTRUCTION	400123762-999-4596	ASTM A 479 TY 316 + PTFE/NICKEL + ST ST	
5	SEAT RING RETAINER	400096878-170-0000	ASTM A 276 TY 316	
6	LOWER GUIDE BUSHING	400092820-220-0000	ASTM A 276 TY 440C	
6	LOWER GUIDE BUSHING	400092820-596-0000	ASTM A 479 TY 316 + STELLITE N°6	
6	LOWER GUIDE BUSHING W/ O-RING	400105731-596-0000	ASTM A 479 TY 316 + STELLITE N°6	NOTE 3
7	UPPER GUIDE BUSHING	400092823-220-0000	ASTM A 276 TY 440C	
7	UPPER GUIDE BUSHING	400092823-596-0000	ASTM A 479 TY 316 + STELLITE N°6	
7	UPPER GUIDE BUSHING W/ O-RING	400105730-596-0000	ASTM A 479 TY 316 + STELLITE N°6	NOTE 3
8	SHAFT - AISI 316 MATERIAL	400092798-163D0000	ASTM A 479 TY 316	
8	SHAFT - 17-4PH MATERIAL	400092798-215-0000	ASTM A 564 Gr 630 H 1075	
11	RETAINING RING	971881132-181-0000	17-4 PH ST ST	
13	PACKING SET - GRAPHITE	400100103-779-0000	GRAPHITE	
13	PACKING SET - PTFE	400107092-999-0000	PTFE + CARBONE	
25	RADIAL SEAL RING (YOKE)	400091075-680-0000	NITRILE W/ SPRING INSIDE	
28	INNER PACKING FOLLOWER O-RING	971886006-697-0000	VITON	
29	OUTER PACKING FOLLOWER O-RING	971886148-697-0000	VITON	
30	UPPER SPACER (LODB)	400099566-170-0000	ASTM A 276 TY 316	
31	LOWER SPACER (LODB)	400100203-170-0000	ASTM A 276 TY 316	
35	O-RING FOR GUIDE BUSHING	971886054-697-0000	VITON	
36	O-RING FOR GUIDE BUSHING	971886075-697-0000	VITON	
37	O-RING FOR GUIDE BUSHING	400100234-697-0000	VITON	
38	O-RING FOR GUIDE BUSHING	971886186-697-0000	VITON	

2.7. Spare parts for 10" body S/A

VARIMAX 10"				
Tag	Description	Part number	Material	Notes
2	LODB+ PLUG	400100553-596-0000	ASTM A 479 TY 316 + STELLITE N°6	NOTE 2
2	LODB PLUG	400098891-596-0000	ASTM A 479 TY 316 + STELLITE N°6	NOTE 2
2	STD PLUG	400092790-596-0000	ASTM A 479 TY 316 + STELLITE N°6	NOTE 2
3	SEAT RING S/A STELLITE CONSTRUCTION	400121810-999-0000	ASTM A 479 TY 316 + STELLITE N°6	NOTE 2
3	SEAT RING S/A SOFT SEAT CONSTRUCTION	400123763-999-4596	ASTM A 479 TY 316 + PTFE/NICKEL + ST ST	
5	SEAT RING RETAINER	400096882-170-0000	ASTM A 276 TY 316	
6	LOWER GUIDE BUSHING	400092821-220-0000	ASTM A 276 TY 440C	
6	LOWER GUIDE BUSHING	400092821-596-0000	ASTM A 479 TY 316 + STELLITE N°6	
6	LOWER GUIDE BUSHING W/ O-RING	400105733-596-0000	ASTM A 479 TY 316 + STELLITE N°6	NOTE 3
7	UPPER GUIDE BUSHING	400092824-220-0000	ASTM A 276 TY 440C	
7	UPPER GUIDE BUSHING	400092824-596-0000	ASTM A 479 TY 316 + STELLITE N°6	
7	UPPER GUIDE BUSHING W/ O-RING	400105732-596-0000	ASTM A 479 TY 316 + STELLITE N°6	NOTE 3
8	SHAFT - AISI 316 MATERIAL	400092799-163D0000	ASTM A 479 TY 316	
8	SHAFT - 17-4PH MATERIAL	400092799-215-0000	ASTM A 564 Gr 630 H 1075	
11	RETAINING RING	971881056-181-0000	17-4 PH ST ST	
13	PACKING SET - GRAPHITE	400100105-779-0000	GRAPHITE	
13	PACKING SET - PTFE	400107093-999-0000	PTFE + CARBONE	
25	RADIAL SEAL RING (YOKE)	400091076-680-0000	NITRILE W/ SPRING INSIDE	
28	INNER PACKING FOLLOWER O-RING	971886095-697-0000	VITON	
29	OUTER PACKING FOLLOWER O-RING	971886103-697-0000	VITON	
30	UPPER SPACER (LODB)	400099567-170-0000	ASTM A 276 TY 316	
31	LOWER SPACER (LODB)	400100204-170-0000	ASTM A 276 TY 316	
35	O-RING FOR GUIDE BUSHING	971886006-697-0000	VITON	
36	O-RING FOR GUIDE BUSHING	971886070-697-0000	VITON	
37	O-RING FOR GUIDE BUSHING	971886146-697-0000	VITON	
38	O-RING FOR GUIDE BUSHING	400105723-697-0000	VITON	

2.8. Spare parts for 12" body S/A

VARIMAX 12"				
Tag	Description	Part number	Material	Notes
2	LODB+ PLUG	400100554-596-0000	ASTM A 479 TY 316 + STELLITE N°6	NOTE 2
2	LODB PLUG	400096675-596-0000	ASTM A 479 TY 316 + STELLITE N°6	NOTE 2
2	STD PLUG	400092791-596-0000	ASTM A 479 TY 316 + STELLITE N°6	NOTE 2
3	SEAT RING S/A STELLITE CONSTRUCTION	400121812-999-0000	ASTM A 479 TY 316 + STELLITE N°6	NOTE 2
3	SEAT RING S/A SOFT SEAT CONSTRUCTION	400123764-999-4596	ASTM A 479 TY 316 + PTFE/NICKEL + ST ST	
5	SEAT RING RETAINER	400096886-170-0000	ASTM A 276 TY 316	
6	LOWER GUIDE BUSHING	400092822-220-0000	ASTM A 276 TY 440C	
6	LOWER GUIDE BUSHING	400092822-596-0000	ASTM A 479 TY 316 + STELLITE N°6	
6	LOWER GUIDE BUSHING W/ O-RING	400105735-596-0000	ASTM A 479 TY 316 + STELLITE N°6	NOTE 3
7	UPPER GUIDE BUSHING	400092825-220-0000	ASTM A 276 TY 440C	
7	UPPER GUIDE BUSHING	400092825-596-0000	ASTM A 479 TY 316 + STELLITE N°6	
7	UPPER GUIDE BUSHING W/ O-RING	400105734-596-0000	ASTM A 479 TY 316 + STELLITE N°6	NOTE 3
8	SHAFT - AISI 316 MATERIAL	400092800-163D0000	ASTM A 479 TY 316	
8	SHAFT - 17-4PH MATERIAL	400092800-215-0000	ASTM A 564 Gr 630 H 1075	
11	RETAINING RING	971881057-181-0000	17-4 PH ST ST	
13	PACKING SET - GRAPHITE	400100107-779-0000	GRAPHITE	
13	PACKING SET - PTFE	400107094-999-0000	PTFE + CARBONE	
25	RADIAL SEAL RING (YOKE)	400091077-680-0000	NITRILE W/ SPRING INSIDE	
28	INNER PACKING FOLLOWER O-RING	971886079-697-0000	VITON	
29	OUTER PACKING FOLLOWER O-RING	971886072-697-0000	VITON	
30	UPPER SPACER (LODB)	400099568-170-0000	ASTM A 276 TY 316	
31	LOWER SPACER (LODB)	400100205-170-0000	ASTM A 276 TY 316	
35	O-RING FOR GUIDE BUSHING	971886024-697-0000	VITON	
36	O-RING FOR GUIDE BUSHING	400042592-697-0000	VITON	
37	O-RING FOR GUIDE BUSHING	400105721-697-0000	VITON	
38	O-RING FOR GUIDE BUSHING	400105722-697-0000	VITON	

2.9. Spare parts for 16" body S/A

VARIMAX 16"				
Tag	Description	Part number	Material	Notes
2	LODB+ PLUG	400100555-596-0000	ASTM A 479 TY 316 + STELLITE N°6	NOTE 2
2	LODB PLUG	400099426-596-0000	ASTM A 479 TY 316 + STELLITE N°6	NOTE 2
2	STD PLUG	400101380-596-0000	ASTM A 479 TY 316 + STELLITE N°6	NOTE 2
3	SEAT RING S/A STELLITE CONSTRUCTION	400121814-999-0000	ASTM A 479 TY 316 + STELLITE N°6	NOTE 2
3	SEAT RING S/A SOFT SEAT CONSTRUCTION	400123765-999-4596	ASTM A 479 TY 316 + PTFE/NICKEL + ST ST	
5	SEAT RING RETAINER	400099753-170-0000	ASTM A 276 TY 316	
6	LOWER GUIDE BUSHING	400099728-220-0000	ASTM A 276 TY 440C	
6	LOWER GUIDE BUSHING	400099728-596-0000	ASTM A 479 TY 316 + STELLITE N°6	
6	LOWER GUIDE BUSHING W/ O-RING	400105737-596-0000	ASTM A 479 TY 316 + STELLITE N°6	NOTE 3
7	UPPER GUIDE BUSHING	400099727-220-0000	ASTM A 276 TY 440C	
7	UPPER GUIDE BUSHING	400099727-596-0000	ASTM A 479 TY 316 + STELLITE N°6	
7	UPPER GUIDE BUSHING W/ O-RING	400105736-596-0000	ASTM A 479 TY 316 + STELLITE N°6	NOTE 3
8	SHAFT - AISI 316 MATERIAL	400099694-163D0000	ASTM A 479 TY 316	
8	SHAFT - 17-4PH MATERIAL	400099694-215-0000	ASTM A 564 Gr 630 H 1075	
11	RETAINING RING	400099926-181-0000	17-4 PH ST ST	
13	PACKING SET - GRAPHITE	400100109-779-0000	GRAPHITE	
13	PACKING SET - PTFE	400107095-999-0000	PTFE + CARBONE	
25	RADIAL SEAL RING (YOKE)	400099924-680-0000	NITRILE W/ SPRING INSIDE	
28	INNER PACKING FOLLOWER O-RING	971886396-697-0000	VITON	
29	OUTER PACKING FOLLOWER O-RING	971886083-697-0000	VITON	
30	UPPER SPACER (LODB)	400099569-170-0000	ASTM A 276 TY 316	
31	LOWER SPACER (LODB)	400099569-170-0000	ASTM A 276 TY 316	
35	O-RING FOR GUIDE BUSHING	971886103-697-0000	VITON	
36	O-RING FOR GUIDE BUSHING	971886017-697-0000	VITON	
37	O-RING FOR GUIDE BUSHING	971886263-697-0000	VITON	
38	O-RING FOR GUIDE BUSHING	971886149-697-0000	VITON	

3. Spare Parts for Actuator

Tag	Description	Valve Size	ATA N°	Part number	Material
133	ACTUATOR DIAPHRAGM	2"	ATA N.3	409100005-716-0000	NITRILE
133	ACTUATOR DIAPHRAGM	2"/3"/4"/6"/8"	ATA N.5	409101005-716-0000	NITRILE
133	ACTUATOR DIAPHRAGM	6"/8"/10"/12"	ATA N.7	409102005-716-0000	NITRILE
133	ACTUATOR DIAPHRAGM	10"/12"/16"	ATA N.9	400098307-716-0000	NITRILE
133	ACTUATOR DIAPHRAGM	16"	ATA N.13	400109325-716-0000	NITRILE

4. Modification in Seat Ring Design

The design of the seat rings below changed during the product lifetime. For any replacement, choose the part with the current P/N and no more modification is needed.

Description	Size	Former P/N	Current P/N	Notes
SEAT RING S/A SOFT-SEAT CONSTRUCTION	3"	400101676-781-0000	400123759-999-4595	
	4"	400102167-781-0000	400123760-999-4595	
	6"	400101864-781-0000	400123761-999-4595	
	8"	400102275-781-0000	400123762-999-4596	
	10"	400102277-781-0000	400123763-999-4596	
	12"	400102279-781-0000	400123764-999-4596	
	16"	400102281-781-0000	400123765-999-4596	
SEAT RING S/A INOX CONSTRUCTION	3"	400089666-163-0000	400123750-999-0000	These parts are no longer available. As a replacement, use seat ring S/A stellite construction.
	4"	400083668-163-0000	400123751-999-0000	
	6"	400089670-163-0000	400123752-999-0000	
	8"	400092792-163-0000	400123753-999-0000	
	10"	400092794-163-0000	400123754-999-0000	
	12"	400092796-163-0000	400123755-999-0000	
	16"	400099674-163-0000	400123756-999-0000	
SEAT RING S/A STELLITE CONSTRUCTION	3"	400089666-567-0000	400123757-999-0000	
	4"	400089668-567-0000	400123758-999-0000	
	6"	400089670-567-0000	400121806-999-0000	
	8"	400092792-596-0000	400121808-999-0000	
	10"	400092794-596-0000	400121810-999-0000	
	12"	400092796-596-0000	400121812-999-0000	
	16"	400099674-596-0000	400121814-999-0000	

DIRECT SALES OFFICE LOCATIONS

AUSTRALIA Brisbane Phone: +61-7-3001-4319 Fax: +61-7-3001-4399	ITALY Phone: +39-081-7892-111 Fax: +39-081-7892-208	SOUTH AFRICA Phone: +27-11-452-1550 Fax: +27-11-452-6542
Perth Phone: +61-8-6595-7018 Fax: +61-8-6595-7299	JAPAN Tokyo Phone: +81-03-6871-9008 Fax: +81-03-6890-4620	SOUTH & CENTRAL AMERICA AND THE CARIBBEAN Phone: +55-12-2134-1201 Fax: +55-12-2134-1238
Melbourne Phone: +61-3-8807-6002 Fax: +61-3-8807-6577	KOREA Phone: +82-2-2274-0748 Fax: +82-2-2274-0794	SPAIN Phone: +34-93-652-6430 Fax: +34-93-652-6444
BELGIUM Phone: +32-2-344-0970 Fax: +32-2-344-1123	MALAYSIA Phone: +60-3-2161-03228 Fax: +60-3-2163-6312	UNITED ARAB EMIRATES Phone: +971-4-8991-777 Fax: +971-4-8991-778
BRAZIL Phone: +55-19-2104-6900	MEXICO Phone: +52-55-3640-5060	UNITED KINGDOM Bracknell Phone: +44-1344-460-500 Fax: +44-1344-460-537
CHINA Phone: +86-10-5689-3600 Fax: +86-10-5689-3800	THE NETHERLANDS Phone: +31-15-3808666 Fax: +31-18-1641438	Skelmersdale Phone: +44-1695-526-00 Fax: +44-1695-526-01
FRANCE Courbevoie Phone: +33-1-4904-9000 Fax: +33-1-4904-9010	RUSSIA Veliky Novgorod Phone: +7-8162-55-7898 Fax: +7-8162-55-7921	UNITED STATES Avon, Massachusetts Phone: +1-508-586-4600 Fax: +1-508-427-8971
GERMANY Ratingen Phone: +49-2102-108-0 Fax: +49-2102-108-111	Moscow Phone: +7 495-585-1276 Fax: +7 495-585-1279	Corpus Christi, Texas Phone: +1-361-881-8182 Fax: +1-361-881-8246
INDIA Mumbai Phone: +91-22-8354790 Fax: +91-22-8354791	SAUDI ARABIA Phone: +966-3-341-0278 Fax: +966-3-341-7624	Deer Park, Texas Phone: +1-281-884-1000 Fax: +1-281-884-1010
New Delhi Phone: +91-11-2-6164175 Fax: +91-11-5-1659635	SINGAPORE Phone: +65-6861-6100 Fax: +65-6861-7172	Houston, Texas Phone: +1-281-671-1640 Fax: +1-281-671-1735
		Jacksonville, Florida Phone: 844-VALVE-GE

Visit us on line:
www.geoilandgas.com/valves

*Denotes a registered trademark of the General Electric Company.
Other company names and product names used in this document are the registered trademarks or trademarks of their respective owners.

© 2015 General Electric Company. All rights reserved.

GEA31239C 10/2015
(AE-PSI 30000C)

