



# Consolidated\* 1982 Series

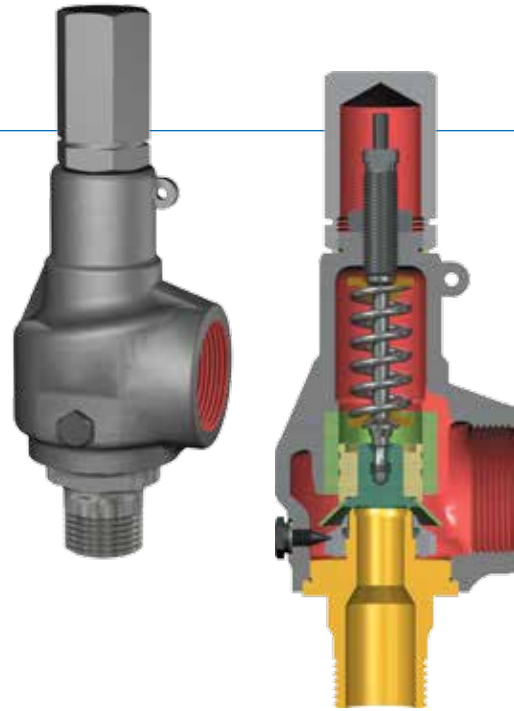
## Safety Relief Valve

### Overview

The Consolidated 1982 series safety relief valve from GE is a threaded connection pressure relief valve for steam and liquid service applications. The valves are designed and manufactured in compliance with ASME B and PVC, Section VIII and Section III (Class I, II and III).

### Scope of Design

This product is normally supplied with threaded inlet and outlet connections. The valve ranges in inlet sizes from .50" (12.7 mm) through 2.00" (50.8 mm). Maximum pressure setting is 500 psig (34.47 barg), minimum pressure setting is 10 psig (0.69 barg). This valve is available with a screwed cap, packed lever, plain lever, and gag. Unless otherwise specified, the valve is shipped with a screwed cap. The 2.00" (50.8 mm) 1982 valve can be used for all service media except steam service above 100 psig (6.89 barg).



1982 Series Valve Standard Connections

Valve Type	Inlet Size		Inlet Type	Outlet Size		Outlet Type	Orifice Area	
	in.	mm		in.	mm		in <sup>2</sup>	cm <sup>2</sup>
1/2-1982	.50	12.7	MNPT	.75	19.1	FNPT	0.121	0.781
3/4-1982	.75	19.1	MNPT	1.00	25.4	FNPT	0.216	1.394
1-1982	1.00	25.4	MNPT	1.50	38.1	FNPT	0.332	2.142
1-1/2-1982	1.50	38.1	MNPT	2.00	50.8	FNPT	0.857	5.529
2-1982	2.00	50.8	MNPT	2.50	63.5	FNPT	1.399	9.026

### Specifications

INLET SIZES	.5" (12.7 mm) through 2" (50.8 mm)
OUTLET SIZES	.75" (19.1 mm) through 2.5" (63.5 mm)
INLET RATINGS	ANSI Class 150 and 300
OUTLET RATINGS	ANSI Class 150
ORIFICE SIZES	Five sizes: 1/2, 3/4, 1, 1-1/2 and 2.
PRESSURE RANGE	10 psig (0.69 barg) to 500 psig (34.47 barg)
TEMPERATURE RANGE	-20°F (-29°C) to 800°F (427°C)
MATERIALS	Carbon steel base and 316 stainless steel internal components.
CERTIFICATIONS	ASME B and PVC, Section III ASME B and PVC, Section VIII, Division I

\*Trademark of the General Electric Company.  
© 2014 General Electric Company. All rights reserved.  
GEA20208A (03/2015)