

# Mooney\* FlowMax\* 4" Regulator

Flanged CL 150

The Mooney FlowMax 4" Single Port regulator is an economical and easy to maintain pilot loading type regulator specifically designed for low differential pressure applications. It is designed to be used in conjunction with a self contained pilot control system to provide exceptional pressure control.

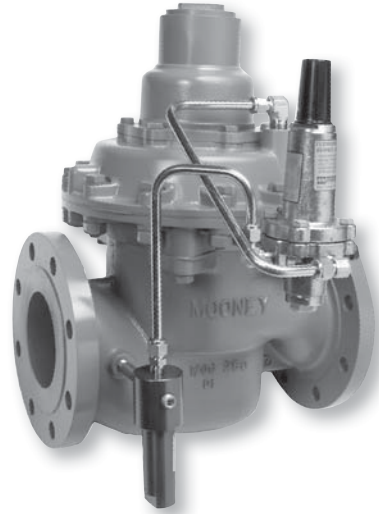
## Specifications

<b>Size</b>	4" (DN 100)
<b>Body Style</b>	Single port
<b>End Connections</b>	4" CL 150 Flanged
<b>Temperature Working</b>	-20°F to 150°F (-29°C to 66°C)
<b>Emergency</b>	-40°F to 175°F (-40°C to 79°C)
<b>Max. Operating Differential</b>	250 psi (17 bar)
<b>Max. Casing Pressure</b>	250 psi (17 bar)
<b>Min. Differential</b>	4 psid (0.21 bar)
<b>Max. Inlet Pressure</b>	250 psig** (17 bar)
<b>Outlet Pressure Range Series 20L</b>	5 in w.c. to 8 psi (0.01 bar to 0.55 bar)
<b>Series 20</b>	3 psi to 248 psi (0.21 bar to 17 bar)
<b>Pilot Supply Body Tap</b>	One 1/4" - 18 NPT
<b>Sense Line Tap</b>	One 1/2" - 14 NPT

\*\* Limited by pilot or flange rating

## Materials of Construction

<b>Body</b>	ASTM A 395 Ductile Iron
<b>Actuator Housing</b>	A 356-T6 Cast Aluminum
<b>Spring Case</b>	A 356-T6 Cast Aluminum
<b>Plug</b>	Nitrile/18-8 SST
<b>Diaphragm</b>	Nitrile/Nylon
<b>O-Ring &amp; Seals</b>	Nitrile
<b>Bolting</b>	ASTM B8 or equal
<b>Spring</b>	Music wire



FlowMax 4" Low Differential Regulator with Series 20 Pilot and Type 30 Filter

## Overpressure Protection

The Mooney FlowMax regulator has a full ANSI rating of 250 psi (17 bar) on both the inlet and outlet connections as well as the actuator housing assembly. Overpressure protection is required only if the pressure can exceed the flange or body rating.

The pilots, like most regulators, may have an outlet pressure rating lower than the inlet pressure rating. If this is the case, then some external form of overpressure protection must be provided for the pilot.

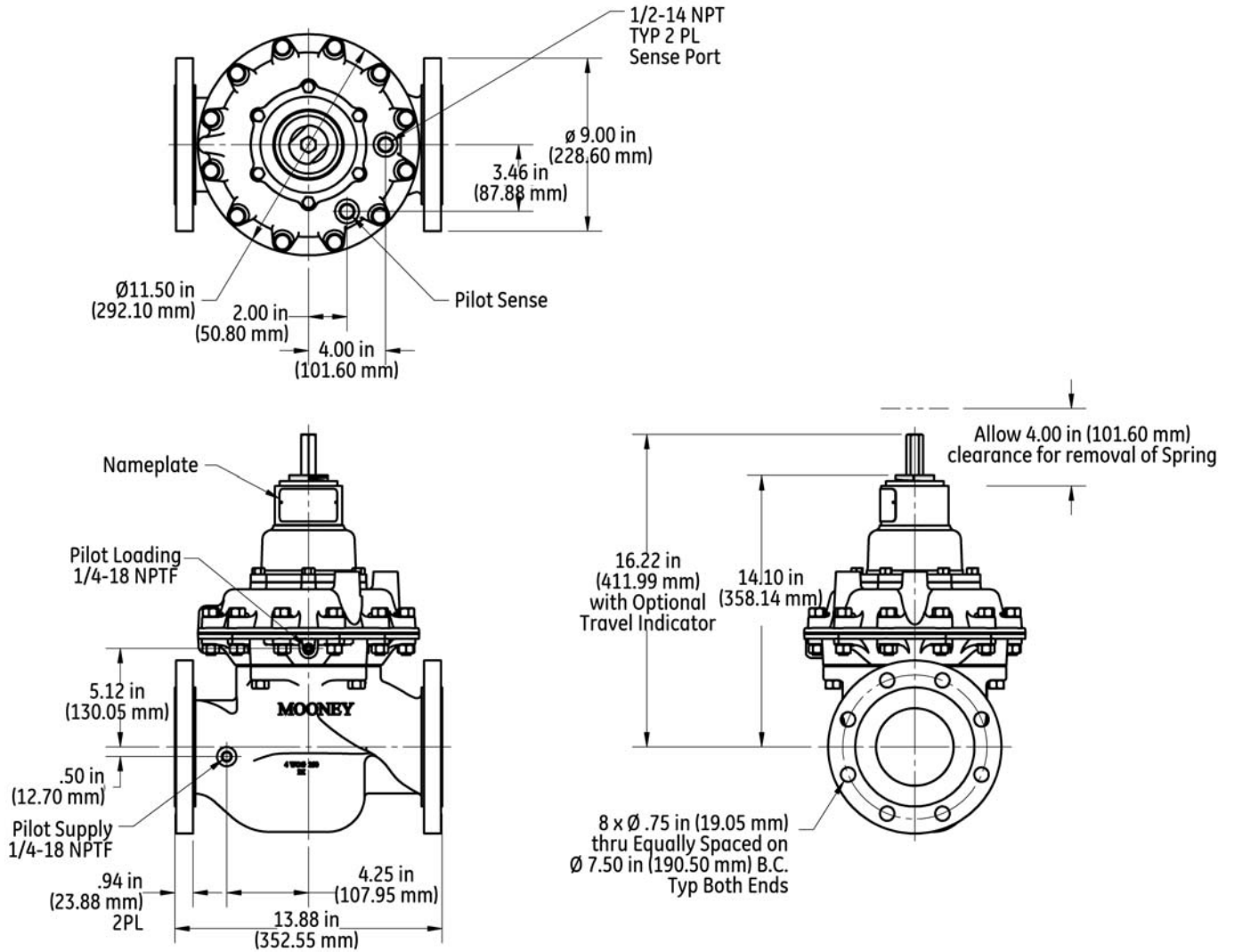
Anytime the FlowMax regulator or pilot system is exposed to pressures in excess of its rating it should be inspected for damage.

## Stock Numbers

FlowMax 4" Regulator	Stock Number	Stock Number w/Indicator	Weight
150 CL RF Flanged	FM-6	FM-6T	103 lbs. (47 kg)
150 CL FF Flanged	FM-7	FM-7T	103 lbs. (47 kg)



## Dimensions



## Flow Coefficients and Constants

FlowMax 4" Single Port Regulator			
Percent Capacity	C <sub>v</sub>	C <sub>1</sub>	C <sub>g</sub>
100%	212	35	7500
50%	123	31	3800



**GE Oil & Gas**  
 2822 S. 1030 West  
 Salt Lake City, UT 84119  
 T: 801.487.2225  
 F: 801.487.2587  
 Email: mooney.inquiries@ge.com  
 Visit us online at: [www.ge.com/energy](http://www.ge.com/energy)  
 ©2012, General Electric Company  
 All Rights Reserved  
 \*Trademark of General Electric Company