

GE Oil & Gas

BR200/BR400

Masoneilan* High Capacity Volume Booster Relays
Instruction Manual



imagination at work

THESE INSTRUCTIONS PROVIDE THE CUSTOMER/OPERATOR WITH IMPORTANT PROJECT-SPECIFIC REFERENCE INFORMATION IN ADDITION TO THE CUSTOMER/OPERATOR'S NORMAL OPERATION AND MAINTENANCE PROCEDURES. SINCE OPERATION AND MAINTENANCE PHILOSOPHIES VARY, GE (GENERAL ELECTRIC COMPANY AND ITS SUBSIDIARIES AND AFFILIATES) DOES NOT ATTEMPT TO DICTATE SPECIFIC PROCEDURES, BUT TO PROVIDE BASIC LIMITATIONS AND REQUIREMENTS CREATED BY THE TYPE OF EQUIPMENT PROVIDED.

THESE INSTRUCTIONS ASSUME THAT OPERATORS ALREADY HAVE A GENERAL UNDERSTANDING OF THE REQUIREMENTS FOR SAFE OPERATION OF MECHANICAL AND ELECTRICAL EQUIPMENT IN POTENTIALLY HAZARDOUS ENVIRONMENTS. THEREFORE, THESE INSTRUCTIONS SHOULD BE INTERPRETED AND APPLIED IN CONJUNCTION WITH THE SAFETY RULES AND REGULATIONS APPLICABLE AT THE SITE AND THE PARTICULAR REQUIREMENTS FOR OPERATION OF OTHER EQUIPMENT AT THE SITE.

THESE INSTRUCTIONS DO NOT PURPORT TO COVER ALL DETAILS OR VARIATIONS IN EQUIPMENT NOR TO PROVIDE FOR EVERY POSSIBLE CONTINGENCY TO BE MET IN CONNECTION WITH INSTALLATION, OPERATION OR MAINTENANCE. SHOULD FURTHER INFORMATION BE DESIRED OR SHOULD PARTICULAR PROBLEMS ARISE WHICH ARE NOT COVERED SUFFICIENTLY FOR THE CUSTOMER/OPERATOR'S PURPOSES THE MATTER SHOULD BE REFERRED TO GE.

THE RIGHTS, OBLIGATIONS AND LIABILITIES OF GE AND THE CUSTOMER/OPERATOR ARE STRICTLY LIMITED TO THOSE EXPRESSLY PROVIDED IN THE CONTRACT RELATING TO THE SUPPLY OF THE EQUIPMENT. NO ADDITIONAL REPRESENTATIONS OR WARRANTIES BY GE REGARDING THE EQUIPMENT OR ITS USE ARE GIVEN OR IMPLIED BY THE ISSUE OF THESE INSTRUCTIONS.

THESE INSTRUCTIONS CONTAIN PROPRIETARY INFORMATION OF GE, AND ARE FURNISHED TO THE CUSTOMER/OPERATOR SOLELY TO ASSIST IN THE INSTALLATION, TESTING, OPERATION, AND/OR MAINTENANCE OF THE EQUIPMENT DESCRIBED. THIS DOCUMENT SHALL NOT BE REPRODUCED IN WHOLE OR IN PART NOR SHALL ITS CONTENTS BE DISCLOSED TO ANY THIRD PARTY WITHOUT THE WRITTEN APPROVAL OF GE.

Product Description

GE's Masoneilan BR400 and BR200 are high capacity volume boosters for applications that require fast stroking speeds using pneumatic actuators. Stable operation over a wide range of actuator sizes can be obtained by adjusting the bypass valve on the booster to modify the dynamic response. The models BR200 and BR400 are equally suitable for use on diaphragm or piston actuators.

Features and Benefits

- Flow characteristics suitable for control valves
- Short stroking times with consistently stable operation for use on high-volume actuators or on very demanding stroking time control valve applications
- Built-in bypass valve with locking screw to adjust sensitivity and dynamic response
- Filter on the supply port to protect instrument from particles in air supply
- Corrosion resistant finish and stainless assembly hardware to permit use in corrosive atmosphere

Principle of Operation

The input signal pressure is applied to the upper diaphragm to produce a force that is opposed in a 1:1 ratio by the output pressure acting on the lower diaphragm through the seal plate orifice. An increase in the input signal pressure will depress the top diaphragm and open the pilot valve, allowing supply pressure to the output until the output pressure action on the lower diaphragm re-balances the forces. Conversely, a decrease in the input signal pressure allows the exhaust valve to open until the output pressure falls to the same value as the input signal pressure.

A bypass valve allows a controlled flow of input signal direct to the output to obtain stable control for small or slow changing input signals.

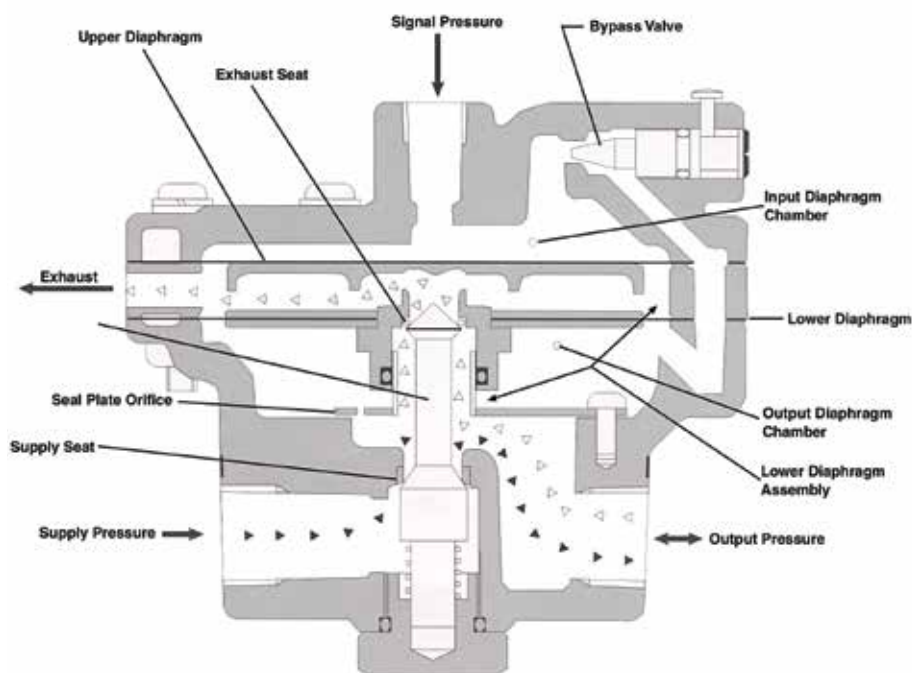


Figure 1 - Cut-away View of BR400 Booster Relay

Pneumatic Supply

The BR400 and BR200 Booster Relays require a source of clean, dry, oil-free, instrument grade air to ANSI/ASA-57.3 1975 (R1981) or ISA-S7.3-1075 (R1981).

Maximum Supply Pressure	150 psi (10.3 bar)
Dew Point	At least 18°F (10°C) below minimum anticipated ambient temperature.
Particulate Matter	Filtered to below 5 microns.
Oil Content:	Less than 1 ppm w/w or v/v.
Contaminants	Free of all corrosive contaminants and hazardous gasses, flammable or toxic.

Pneumatic Connections

The pneumatic connection locations are shown on Figure 1 and are also stamped on relay body. The supply and output connections are 1/4" NPT and the signal connection is 1/4" NPT. The supply and output tubing should be a minimum of 1/2". Blow out all piping prior to connecting to booster. Use of a soft setting anaerobic hydraulic seal, such as Loctite Hydraulic Seal 542 is recommended on the male threads of all connections.



Do not use an excessive amount of hydraulic sealant as it will not set and may migrate into the pneumatic passages.



Do not use pipe thread sealant tape on pneumatic fittings, as it tends to shred small particles which can cause instrument malfunction.

Installation

The booster relay should be close coupled to the actuator. Use of a short 1/2" pipe nipple between the relay output and the actuator provides both the pneumatic connection and mounting means. The preferred orientation is with the exhaust openings pointing down; however horizontal mounting is acceptable.

Specifications

Features	Specifications
Maximum Cv (supply)	1.2 (BR200) and 2.6 (BR400)
Maximum Cv (exhaust)	1.2 (BR200) and 2.4 (BR400)
Maximum Signal Pressure	150 psi (10.3 bar)
Operating Temperature Limits	-30°C to +83°C (-22°F to +181°F) Low Temperature: -55°C to +60°C (-67°F to +140°F) High Temperature: 0°C to +100°C (32°F to +212°F)
Input / Output Ratio	1:1
Supply and Output Connections	1/4" NPT or Rc (BR200) and 1/2" NPT or Rc (BR400)
Signal Connection	1/4" NPT or Rc
Approximate Weight	0.7 kg (1.5 lbs) for BR200 and 1.4 kg (3 lbs) for BR400

Table 1 - Specifications

Flow Characteristics

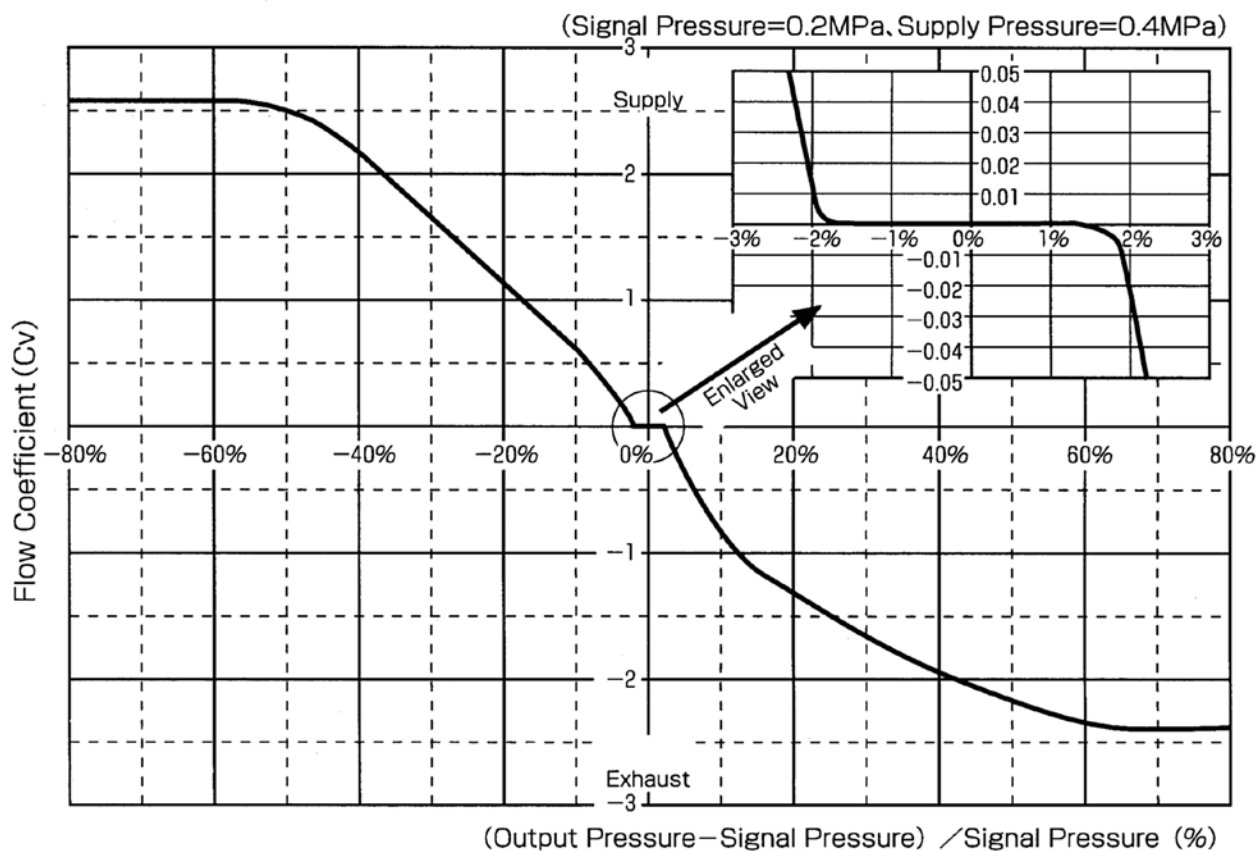


Figure 2 - Flow Characteristics

Operation

Prior to applying supply pressure to the relay, open the bypass needle valve approximately one turn. After applying pressure, note response of actuator to open and close commands from the positioner. If excessive overshoot or hunting is seen, open needle valve until stable operation is obtained. If valve is sluggish, close needle valve until unstable operation occurs, then back off until stable operation is obtained.

Turning valve clockwise (closing) speeds response but can lead to instability. Turning valve counterclockwise aids stability but will slow down the actuator's response. Proper setting provides stable operation and acceptable response time.

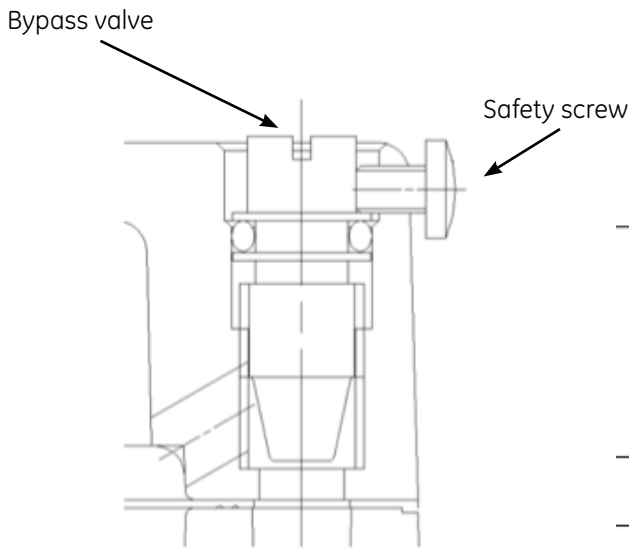


Figure 3
Bypass valve adjustment on BR200 model

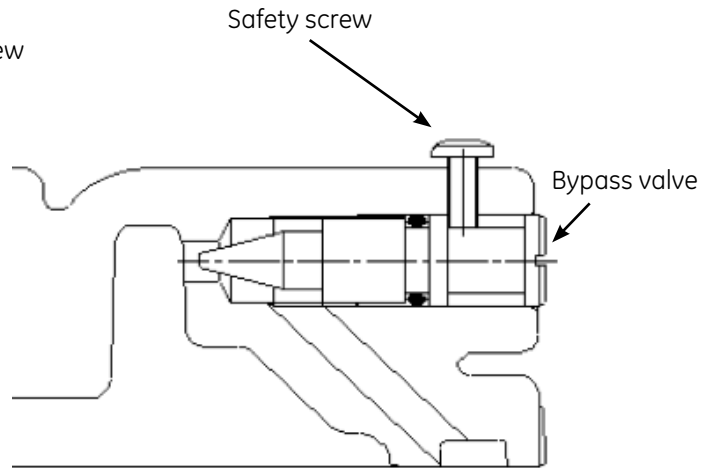


Figure 4
Bypass valve adjustment on BR400 model



CAUTION Break loose of bypass valve: Completely loose small screw and turn bypass valve near the fully opened position may cause bypass valve to break loose by internal pressure



CAUTION Adjustment of bypass valve during plant operation: Adjusting bypass value when control valve is in service may generate sudden valve opening change or oscillation.

Maintenance

The BR400 Booster Relays do not require any routine maintenance. If a contaminated air supply has been used, then there may be need to clean the filters or disassemble the relay to clean the supply and exhaust seats and valves.

Troubleshooting

If the output pressure does not respond to changes in the input pressure, check that supply pressure is at proper value and that signal and supply filters are not plugged with foreign matter. Check also that supply and exhaust valve seats are clean.

If output pressure is not stable or is slow to respond, check setting of bypass needle valve. See bypass valve setting procedure under "Operation".

Material of Construction and Dimensions

Model BR200

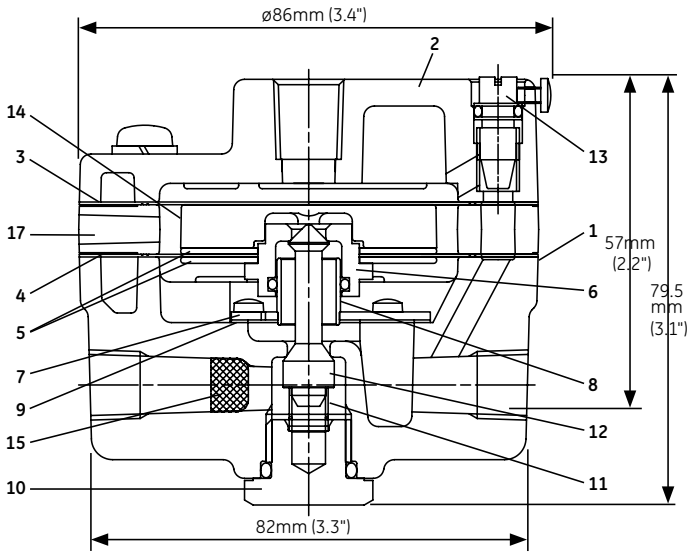


Figure 5 - BR200 Construction and Dimensions

No.	Part	Standard Material
1	Body	Aluminium Alloy Die Casting
2	Case	Aluminium Alloy Die Casting
3	Upper Diaphragm	Chloroprene / Polyester
4	Lower Diaphragm	Chloroprene / Polyester
5	Lower Diaphragm Plate	Aluminium Alloy Plate
6	Exhaust Seat	Copper Alloy
7	Seal Plate	Austenitic Stainless Steel
8	Exhaust Seal Guide	Copper Alloy
9	Seal Plate Gasket	Inorganic Fiber/Oil Resistant Synthetic Rubber
10	Plug Cap	Copper Alloy
11	Coil Spring	Austenitic Stainless Steel
12	Plug	Austenitic Stainless Steel
13	Bypass Valve Plug	Austenitic Stainless Steel
14	Piston	Glass Fiber Reinforced Thermoplastic Polyester
15	Supply Filter	Austenitic Stainless Steel
16	Signal Filter	Austenitic Stainless Steel
17	Bleed Ring	Aluminium Alloy Die Casting

Note: model BR400 is available in stainless steel for marine offshore applications.

Model BR400

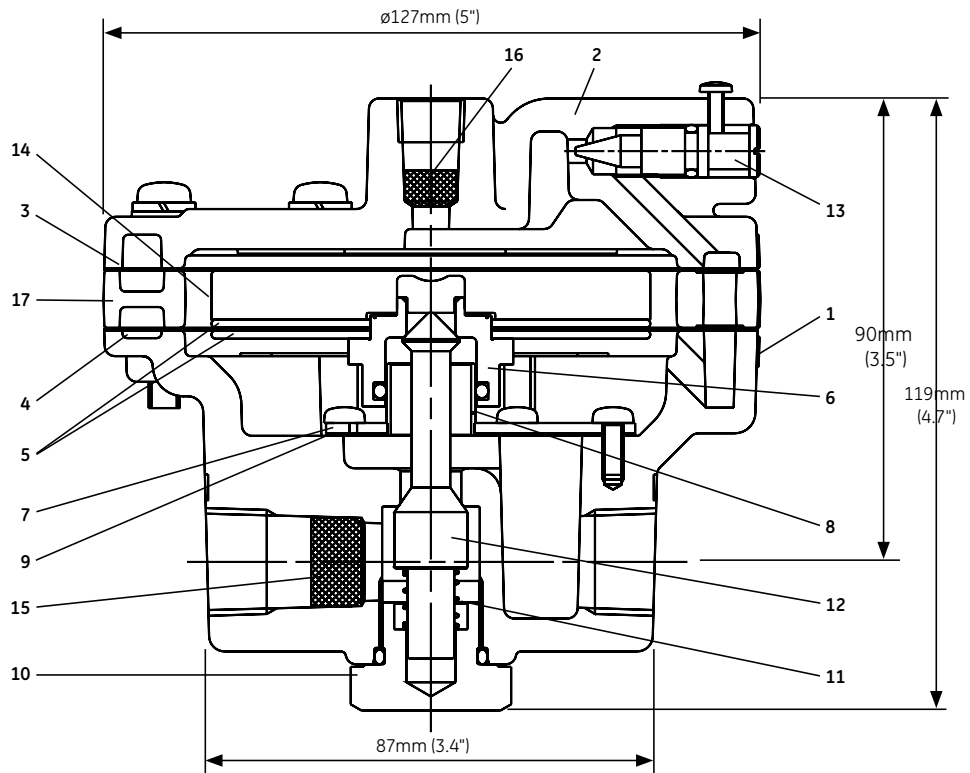


Figure 6 - BR400 Construction and Dimensions

Notes

Notes

DIRECT SALES OFFICE LOCATIONS

AUSTRALIA

Brisbane:
Phone: +61-7-3001-4319
Fax: +61-7-3001-4399

Perth:
Phone: +61-8-6595-7018
Fax: +61 8 6595-7299

Melbourne:
Phone: +61-3-8807-6002
Fax: +61-3-8807-6577

BELGIUM

Phone: +32-2-344-0970
Fax: +32-2-344-1123

BRAZIL

Phone: +55-11-2146-3600
Fax: +55-11-2146-3610

CHINA

Phone: +86-10-5689-3600
Fax: +86-10-5689-3800

FRANCE

Courbevoie
Phone: +33-1-4904-9000
Fax: +33-1-4904-9010

GERMANY

Ratingen
Phone: +49-2102-108-0
Fax: +49-2102-108-111

INDIA

Mumbai
Phone: +91-22-8354790
Fax: +91-22-8354791

New Delhi

Phone: +91-11-2-6164175
Fax: +91-11-5-1659635

ITALY

Phone: +39-081-7892-111
Fax: +39-081-7892-208

JAPAN

Chiba
Phone: +81-43-297-9222
Fax: +81-43-299-1115

KOREA

Phone: +82-2-2274-0748
Fax: +82-2-2274-0794

MALAYSIA

Phone: +60-3-2161-0322
Fax: +60-3-2163-6312

MEXICO

Phone: +52-55-3640-5060

THE NETHERLANDS

Phone: +0031-15-3808666
Fax: +0031-18-1641438

RUSSIA

Veliky Novgorod
Phone: +7-8162-55-7898
Fax: +7-8162-55-7921

Moscow

Phone: +7 495-585-1276
Fax: +7 495-585-1279

SAUDI ARABIA

Phone: +966-3-341-0278
Fax: +966-3-341-7624

SINGAPORE

Phone: +65-6861-6100
Fax: +65-6861-7172

SOUTH AFRICA

Phone: +27-11-452-1550
Fax: +27-11-452-6542

SOUTH & CENTRAL

AMERICA AND THE CARIBBEAN
Phone: +55-12-2134-1201
Fax: +55-12-2134-1238

SPAIN

Phone: +34-93-652-6430
Fax: +34-93-652-6444

UNITED ARAB EMIRATES

Phone: +971-4-8991-777
Fax: +971-4-8991-778

UNITED KINGDOM

Wooburn Green
Phone: +44-1628-536300
Fax: +44-1628-536319

UNITED STATES

Massachusetts
Phone: +1-508-586-4600
Fax: +1-508-427-8971

Corpus Christi, Texas

Phone: +1-361-881-8182
Fax: +1-361-881-8246

Deer Park, Texas

Phone: +1-281-884-1000
Fax: +1-281-884-1010

Houston, Texas

Phone: +1-281-671-1640
Fax: +1-281-671-1735



* Masonellian is a registered trademark of the General Electric Company.
Other company names and product names used in this document are the registered trademarks
or trademarks of their respective owners.

© 2014 General Electric Company. All rights reserved.

GEA30642A 04/2014