

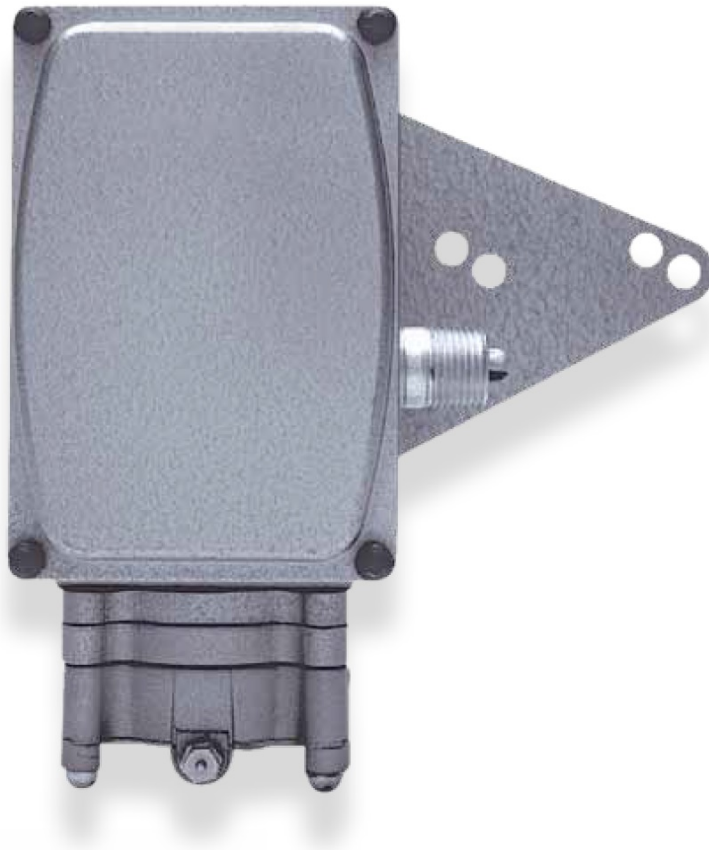
GE Oil & Gas

Masoneilan*

8007/8008 Series

Electro-pneumatic Transducers

Parts Supplement Information



THESE INSTRUCTIONS PROVIDE THE CUSTOMER/OPERATOR WITH IMPORTANT PROJECT-SPECIFIC REFERENCE INFORMATION IN ADDITION TO THE CUSTOMER/OPERATOR'S NORMAL OPERATION AND MAINTENANCE PROCEDURES. SINCE OPERATION AND MAINTENANCE PHILOSOPHIES VARY, GE (GENERAL ELECTRIC COMPANY AND ITS SUBSIDIARIES AND AFFILIATES) DOES NOT ATTEMPT TO DICTATE SPECIFIC PROCEDURES, BUT TO PROVIDE BASIC LIMITATIONS AND REQUIREMENTS CREATED BY THE TYPE OF EQUIPMENT PROVIDED.

THESE INSTRUCTIONS ASSUME THAT OPERATORS ALREADY HAVE A GENERAL UNDERSTANDING OF THE REQUIREMENTS FOR SAFE OPERATION OF MECHANICAL AND ELECTRICAL EQUIPMENT IN POTENTIALLY HAZARDOUS ENVIRONMENTS. THEREFORE, THESE INSTRUCTIONS SHOULD BE INTERPRETED AND APPLIED IN CONJUNCTION WITH THE SAFETY RULES AND REGULATIONS APPLICABLE AT THE SITE AND THE PARTICULAR REQUIREMENTS FOR OPERATION OF OTHER EQUIPMENT AT THE SITE.

THESE INSTRUCTIONS DO NOT PURPORT TO COVER ALL DETAILS OR VARIATIONS IN EQUIPMENT NOR TO PROVIDE FOR EVERY POSSIBLE CONTINGENCY TO BE MET IN CONNECTION WITH INSTALLATION, OPERATION OR MAINTENANCE. SHOULD FURTHER INFORMATION BE DESIRED OR SHOULD PARTICULAR PROBLEMS ARISE WHICH ARE NOT COVERED SUFFICIENTLY FOR THE CUSTOMER/OPERATOR'S PURPOSES THE MATTER SHOULD BE REFERRED TO GE.

THE RIGHTS, OBLIGATIONS AND LIABILITIES OF GE AND THE CUSTOMER/OPERATOR ARE STRICTLY LIMITED TO THOSE EXPRESSLY PROVIDED IN THE CONTRACT RELATING TO THE SUPPLY OF THE EQUIPMENT. NO ADDITIONAL REPRESENTATIONS OR WARRANTIES BY GE REGARDING THE EQUIPMENT OR ITS USE ARE GIVEN OR IMPLIED BY THE ISSUE OF THESE INSTRUCTIONS.

THESE INSTRUCTIONS ARE FURNISHED TO THE CUSTOMER/OPERATOR SOLELY TO ASSIST IN THE INSTALLATION, TESTING, OPERATION, AND/OR MAINTENANCE OF THE EQUIPMENT DESCRIBED. THIS DOCUMENT SHALL NOT BE REPRODUCED IN WHOLE OR IN PART WITHOUT THE WRITTEN APPROVAL OF GE.

Table of Contents

- 1. Transducer Drawings _____ 5
 - 1.1. Overall View _____ 5
 - 1.2. Sectional View _____ 6
- 2. 8007 Transducer _____ 7
 - 2.1. 8007 Models _____ 7
 - 2.2. Recommended Spare Parts _____ 7
- 3. 8008 Transducer _____ 8
 - 3.1. 8008 Models _____ 8
 - 3.2. Recommended Spare Parts _____ 8

About this Parts Supplement Information

- The information contained in this document is subject to change without prior notice.
- The information contained in this document, in whole or part, shall not be transcribed or copied without GE's written permission.
- Please report any errors or questions about the information in this manual to your local supplier.
- These instructions are written specifically for the 8007/8008 Series electropneumatic transducers, and do not apply for other instruments outside of this product line.

Warranty

Items sold by General Electric are warranted to be free from defects in materials and workmanship for a period of one year from the date of shipment provided said items are used according to GE recommended usages. GE reserves the right to discontinue manufacture of any product or change product materials, design or specifications without notice.

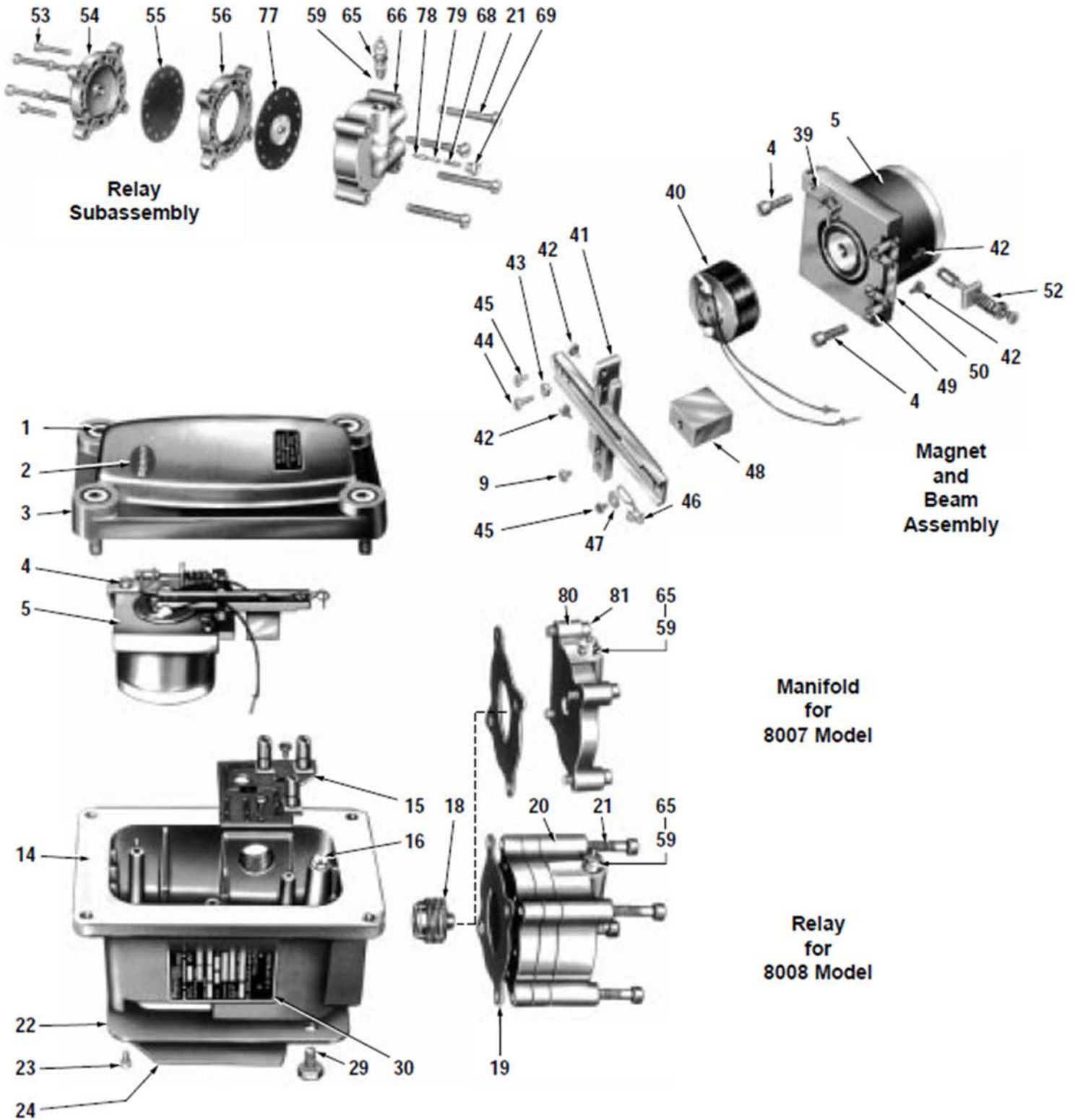
Warning

Please read the safety information in instruction manual for installation in hazardous area.

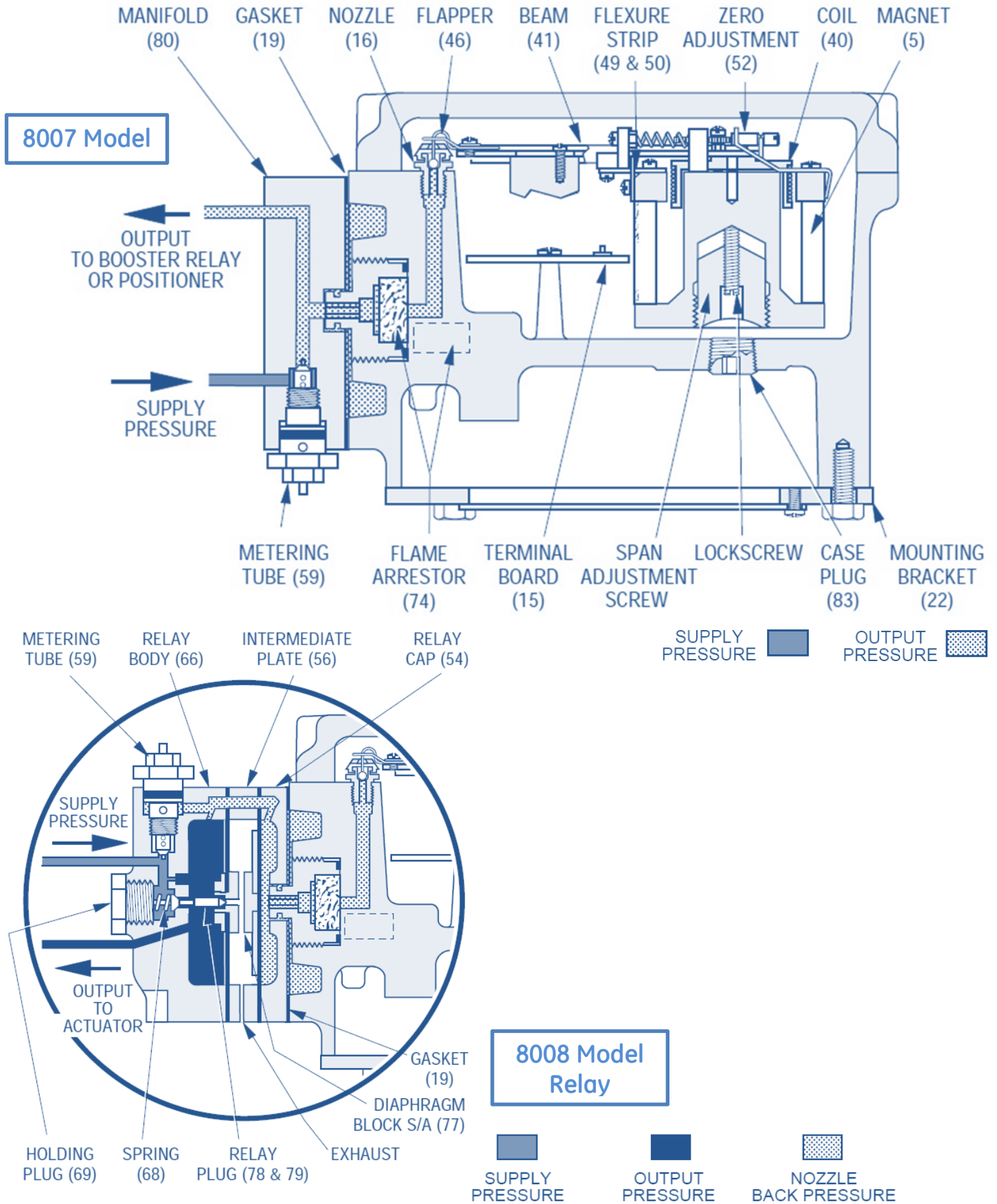
**FOR INSTALLATION & OPERATION INSTRUCTIONS, PLEASE REFER TO
MASONILAN INSTRUCTION MANUAL ES60004**

1. Transducer Drawings

1.1. Overall View



1.2. Sectional View



2. 8007 Transducer

2.1. 8007 Models

Qty	Model	Part Number	Signal	Output	Option
1	8007-057	400145894-999-1601	4-20 mA	0.2-1 bar	ATEX EEx d "FLAME-PROOF"
1	8007-058	400148402-999-1601	4-20 mA	0.2-1 bar	ATEX EEx ia "INTRINSIC SAFETY"
1	8007-055	400149415-999-1601	4-20 mA	0.2-1 bar	"TIGHT-PROOF"

2.2. Recommended Spare Parts

Tag	Description	Part Number	Material
5	MAGNET S/A	400082883-999-0000	
15	TERMINAL BOARD S/A	000037446-999-0000	
16	NOZZLE (CAP & BALL)	063236004-999-0000	
19	GASKET	060188015-660-0000	CHLOROPRENE 60 SHORE
40	COIL 4-20 mA FOR 8007-055 & 057	400078977-888-0000	
40	COIL 4-20 mA FOR 8007-058	400086351-999-0000	
49	FLEXURE STRIP	063225001-26430000	COPPER BERYLLIUM
50	FLEXURE STRIP	063225002-26430000	COPPER BERYLLIUM
59	METERING TUBE S/A	060189015-999-0000	
65	O-RING FOR METERING	971886175-971-0000	NITRILE
	GASKET FOR 8007-055	400045891-781-0000	CHLOROPRENE 60 SHORE
(1)	BEAM S/A	400082885-999-0000	
(1) Parts 9 & 41 to 48			

Notes:

- In an intrinsically safe circuit (058 model), the coil mentioned above is to be used in direct action.
- The gasket for 8007-055 is placed between the cover and the case.

3. 8008 Transducer

3.1. 8008 Models

Model	Part Number	Signal	Output	Option
8008-057	400145895-999-1601	4-20 mA	0.2-1 bar	ATEX EEx d "FLAME-PROOF"
8008-058	400148403-999-1601	4-20 mA	0.2-1 bar	ATEX EEx ia "INTRINSIC SAFETY"
8008-055	400149416-999-1601	4-20 mA	0.2-1 bar	"TIGHT-PROOF"
8008-058	400156356-999-1601	4-20 mA	0.4-2 bar	ATEX EEx ia "INTRINSIC SAFETY"

3.2. Recommended Spare Parts

Tag	Description	Part Number	Material
5	MAGNET S/A	400082883-999-0000	
15	TERMINAL BOARD S/A	000037446-999-0000	
16	NOZZLE (CAP & BALL)	063236004-999-0000	
19	GASKET	060188015-660-0000	CHLOROPRENE 60 SHORE
20	RELAY 3-15 WITH METERING	060942004-999-0000	
20	RELAY 6-30 WITH METERING	060942012-999-0000	
40	COIL 4-20 mA FOR 8008-055 & 057	400078977-888-0000	
40	COIL 4-20 mA FOR 8008-058	400086351-999-0000	
49	FLEXURE STRIP	063225001-26430000	COPPER BERYLLIUM
50	FLEXURE STRIP	063225002-26430000	COPPER BERYLLIUM
55	DIAPHRAGM S/A FOR 8008 RELAY	000050174-999-0000	
59	METERING TUBE S/A	060189015-999-0000	
65	O-RING FOR METERING	971886175-971-0000	NITRILE
77	DIAPHRAGM BLOCK S/A FOR RELAY	060184010-999-0000	
	GASKET FOR 8008-055	400045891-781-0000	CHLOROPRENE 60 SHORE
(1)	BEAM S/A	400082885-999-0000	

(1) Parts 9 & 41 to 48

Notes:

- In an intrinsically safe circuit (Model 058), the coil mentioned above is to be used in direct action.
- The relay S/A N°20 is available to avoid purchasing different parts of the relay (i.e. Tags 55, 59, 65 & 77...).
- The gasket for 8007-055 is placed between the cover and the case.

DIRECT SALES OFFICE LOCATIONS

AUSTRALIA Brisbane Phone: +61-7-3001-4319 Fax: +61-7-3001-4399	ITALY Phone: +39-081-7892-111 Fax: +39-081-7892-208	SOUTH AFRICA Phone: +27-11-452-1550 Fax: +27-11-452-6542
Perth Phone: +61-8-6595-7018 Fax: +61-8-6595-7299	JAPAN Tokyo Phone: +81-03-6871-9008 Fax: +81-03-6890-4620	SOUTH & CENTRAL AMERICA AND THE CARIBBEAN Phone: +55-12-2134-1201 Fax: +55-12-2134-1238
Melbourne Phone: +61-3-8807-6002 Fax: +61-3-8807-6577	KOREA Phone: +82-2-2274-0748 Fax: +82-2-2274-0794	SPAIN Phone: +34-93-652-6430 Fax: +34-93-652-6444
BELGIUM Phone: +32-2-344-0970 Fax: +32-2-344-1123	MALAYSIA Phone: +60-3-2161-03228 Fax: +60-3-2163-6312	UNITED ARAB EMIRATES Phone: +971-4-8991-777 Fax: +971-4-8991-778
BRAZIL Phone: +55-19-2104-6900	MEXICO Phone: +52-55-3640-5060	UNITED KINGDOM Bracknell Phone: +44-1344-460-500 Fax: +44-1344-460-537
CHINA Phone: +86-10-5689-3600 Fax: +86-10-5689-3800	THE NETHERLANDS Phone: +31-15-3808666 Fax: +31-18-1641438	Skelmersdale Phone: +44-1695-526-00 Fax: +44-1695-526-01
FRANCE Courbevoie Phone: +33-1-4904-9000 Fax: +33-1-4904-9010	RUSSIA Veliky Novgorod Phone: +7-8162-55-7898 Fax: +7-8162-55-7921	UNITED STATES Avon, Massachusetts Phone: +1-508-586-4600 Fax: +1-508-427-8971
GERMANY Ratingen Phone: +49-2102-108-0 Fax: +49-2102-108-111	Moscow Phone: +7 495-585-1276 Fax: +7 495-585-1279	Corpus Christi, Texas Phone: +1-361-881-8182 Fax: +1-361-881-8246
INDIA Mumbai Phone: +91-22-8354790 Fax: +91-22-8354791	SAUDI ARABIA Phone: +966-3-341-0278 Fax: +966-3-341-7624	Deer Park, Texas Phone: +1-281-884-1000 Fax: +1-281-884-1010
New Delhi Phone: +91-11-2-6164175 Fax: +91-11-5-1659635	SINGAPORE Phone: +65-6861-6100 Fax: +65-6861-7172	Houston, Texas Phone: +1-281-671-1640 Fax: +1-281-671-1735
		Jacksonville, Florida Phone: 844-VALVE-GE

Visit us on line:
www.geoilandgas.com/valves

*Denotes a registered trademark of the General Electric Company.
Other company names and product names used in this document are the registered trademarks or trademarks of their respective owners.

© 2015 General Electric Company. All rights reserved.

GEA32170A 10/2015
(AE-PSI 8007/8008A)

