

174 Series

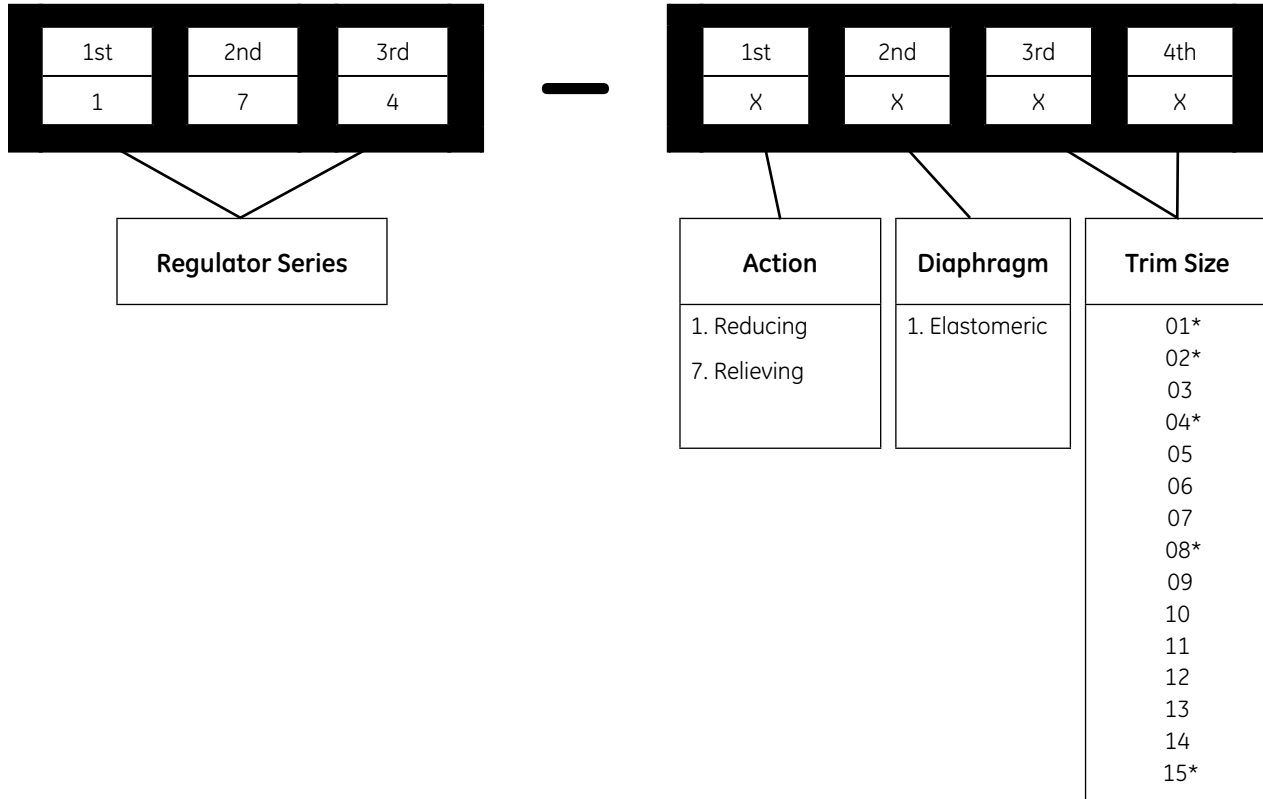
Masoneilan* Spring Loaded, Direct-Operated
Regulator for Pressure Reducing or
Relief Applications



Table of Contents

Numbering System	2	Specifications	5
Features/Specifications	3	Dimensions	10
Materials	4		

Numbering System



* Indicates standard trim size

174 Series: (97/23/EC - PED, 94/9/EC - ATEX)

The 174 series is a spring loaded, direct-operated regulator for pressure reducing or relief applications in a wide variety of industrial applications. The large diaphragm area provides accurate control at low pressure settings and the lever design provides consistent shut-off tightness. They are available in 1/2 through 1 1/2 inch body sizes. The pressure reducing design can handle inlet pressures up to 145 psig (10 barg).



Features

- In-line maintenance
- Easy maintenance
- Precise control

Specifications

Body

Body Sizes and End Connections

- 1/2" through 1 1/2" (DN15 through DN40)
NPT or GAS

Maximum Inlet Pressure

- 174-1 Reducing: 145 psig (10 barg) - see table 2
- 174-7 Relief: 4.4 psig (0.3 barg)

Maximum Outlet Pressure

- 174-1 Reducing: 8.8 psig (0.61 barg)

Set Pressure Range

- 174-1 Reducing: 1.4 inches w.c. to 8.8 psig
- 174-7 Relief: 1.4 inches w.c. to 4.4 psig

Temperature Range

- -0.4° to 194°F (-18° to 90°C)

Pressure Sensing

- internal

Flow Coefficients

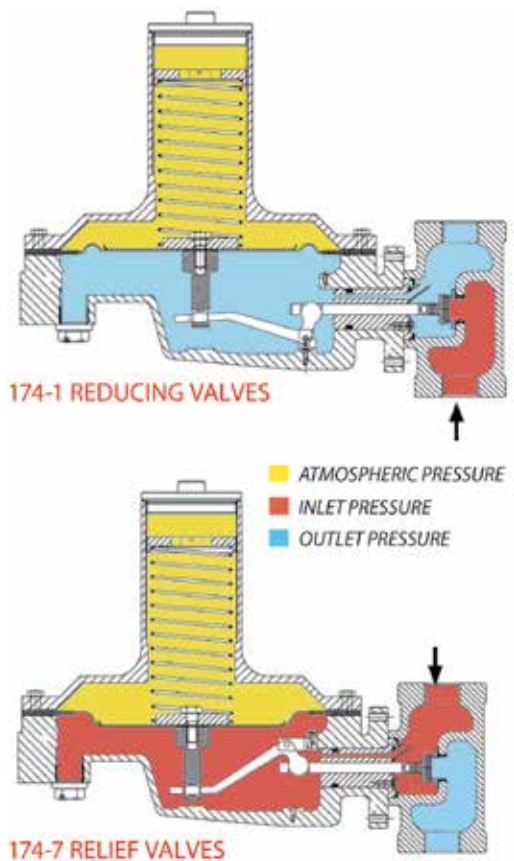
- see tables 6, 7

Capacities

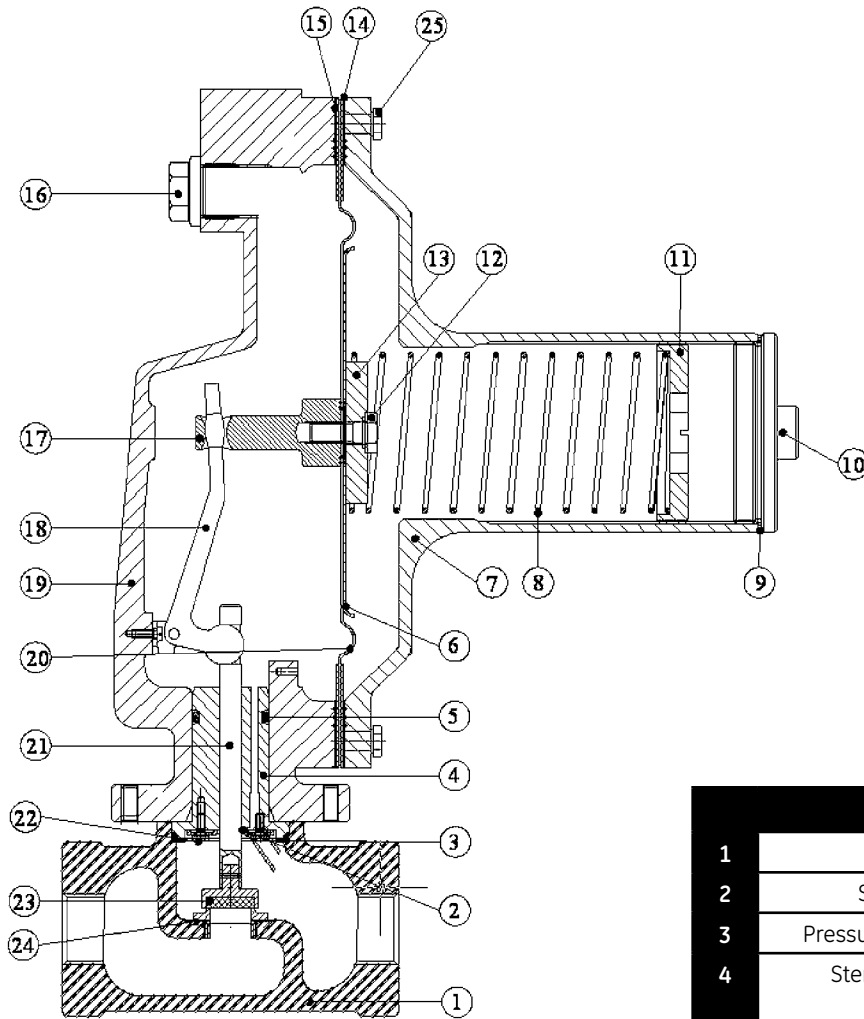
- 174-1 Reducing: see table 8
- 174-7 Relief: see table 9

Weights

- 30 lbs (13.5 kg)



Materials



Materials			
1	Body	14	Gasket
2	Screw	15	Diaphragm Ring
3	Pressure Sensing	16	Screw
4	Stem Guide	17	Stem Diaphragm Connection
5	O-Ring	18	Lever
6	Diaphragm Plate	19	Diaphragm Case
7	Spring Case	20	Diaphragm
8	Spring	21	Stem
9	Gasket	22	Gasket
10	Spring Case Cap	23	Plug
11	Adjusting Screw Ring	24	Seat
12	Screw	25	Screw
13	Spring Button (lower)		

Specifications

Table 1 - Standard Material Combinations

Body	
	Carbon Steel*
	-18°C < T < 90°C (-0.4°F < T < 194°F)
Body	Carbon Steel
Studs	8.8
Nuts	8
Trim	
Seat	316 SS
Disc	NBR
Stem	316 SS
Guide Bushing	PTFE
Actuator	
Spring Case	Carbon Steel
Diaphragm Case	Carbon Steel
Spring	CrV Steel
Diaphragm	Nitrile Rubber (NBR)

* Stainless steel construction available on request

Table 2 - Maximum Operating Inlet Pressures

Orifice Size mm	Maximum Operating Inlet Pressure, PSIG (barg)				
	With 1.4 to 2.2 inches w.c. (3.4 to 5.5 mbarg)	With 2.2 to 3.7 inches w.c. (5.5 to 9.3 mbarg)	With 3.7 to 8.8 inches w.c. (9.3 to 22.0 mbarg)	With 8.8 to 13.6 inches w.c. (22.0 to 34.0 mbarg)	With 13.6 to 25 inches w.c. (34.0 to 62.0 mbarg)
	Outlet Pressure Setting	Outlet Pressure Setting	Outlet Pressure Setting	Outlet Pressure Setting	Outlet Pressure Setting
1	145.0 (10.00)	145.0 (10.00)	145.0 (10.00)	145.0 (10.00)	145.0 (10.00)
2	81.2 (5.60)	94.3 (6.50)	145.0 (10.00)	145.0 (10.00)	145.0 (10.00)
4	18.9 (1.30)	23.2 (1.60)	37.7 (2.60)	46.4 (3.20)	53.7 (3.70)
8	4.4 (0.30)	5.8 (0.40)	8.7 (0.60)	11.6 (0.80)	13.1 (0.90)
14	1.6 (0.11)	1.9 (0.13)	3.1 (0.21)	3.6 (0.25)	4.4 (0.30)

Table 2 - Maximum Operating Inlet Pressures (cont.)

Orifice Size mm	Maximum Operating Inlet Pressure, PSIG (barg)			
	With 25 to 39 inches w.c. (62.0 to 98.0 mbarg)	With 1.4 to 2.8 psig (0.098 to 0.190 barg)	With 2.8 to 4.4 psig (0.190 to 0.300 barg)	With 4.4 to 8.8 psig (0.300 to 0.610 barg)
	Outlet Pressure Setting	Outlet Pressure Setting	Outlet Pressure Setting	Outlet Pressure Setting
1	145.0 (10.00)	145.0 (10.00)	145.0 (10.00)	145.0 (10.00)
2	145.0 (10.00)	145.0 (10.00)	145.0 (10.00)	145.0 (10.00)
4	91.4 (6.30)	145.0 (10.00)	145.0 (10.00)	145.0 (10.00)
8	21.8 (1.50)	36.3 (2.50)	39.2 (2.70)	72.5 (5.00)
14	7.3 (0.50)	11.6 (0.80)	11.6 (0.80)	23.2 (1.60)

Table 3 - Set Pressure Ranges (Control Pressure)

Type Number	Spring	Set Pressure Range With Spring Case Above Diaphragm
174	UBB02	1.4 to 2.2 inches w.c. (3.4 to 5.5 mbarg)
	UBB03	2.2 to 3.7 inches w.c. (5.5 to 9.3 mbarg)
	UBB05	3.7 to 8.8 inches w.c. (9.3 to 22 mbarg)
	UBB06	8.8 to 13.6 inches w.c. (22 to 34 mbarg)
	UBB07	13.6 to 25 inches w.c. (34 to 62 mbarg)
	UBB08	25 to 39 inches w.c. (62 to 98 mbarg)
	UBB09	1.4 to 2.8 psig (0.098 to 0.190 barg)
	UBB10	2.8 to 4.4 psig (0.190 to 0.300 barg)
	UBB12	4.4 to 8.8 psig (0.300 to 0.610 barg)

Table 4 - Temperature Ranges for Disc Elastomer

Nitrile Rubber (NBR)*	-0.4 to 194°F (-18 to 90°C)
-----------------------	-----------------------------

Table 5 - Temperature Ranges for Diaphragms

Nitrile Rubber (NBR)*	-0.4 to 194°F (-18 to 90°C)
-----------------------	-----------------------------

Specifications

Table 6 - Flow Coefficient C_v - Model 174-7 Relief Version				
Nozzle	1/2" (DN 15)	3/4" (DN 20)	1" (DN 25)	1 1/2" (DN 40)
1	0.04	0.04	0.04	0.04
2	0.17	0.17	0.17	0.17
3*	0.38	0.38	0.38	0.38
4	0.75	0.75	0.75	0.75
5*	0.95	0.95	0.95	0.95
6*	1.39	1.39	1.39	1.39
7*	1.88	1.88	1.88	1.88
8	2.50	2.50	2.50	2.50
9*	1.96	2.96	2.96	2.96
10*	3.40	3.40	3.40	3.40
11*	3.75	3.75	3.75	3.75
12*	3.95	3.95	3.95	3.95
13*		4.15	4.15	4.15
14		4.40	4.40	4.40
15*		4.86	4.90	4.90

Table 7 - Flow Coefficient C_v - Model 174-1 Reducing Version				
Nozzle	1/2" (DN 15)	3/4" (DN 20)	1" (DN 25)	1 1/2" (DN 40)
1	0.04	0.04	0.04	0.04
2	0.10	0.10	0.10	0.10
3*	0.34	0.34	0.34	0.34
4	0.75	0.75	0.75	0.75
5*	0.94	0.94	0.94	0.94
6*	1.38	1.38	1.38	1.38
7*	1.90	1.90	1.90	1.90
8	2.45	2.45	2.45	2.45
9*	2.80	2.80	2.80	2.80
10*	3.14	3.14	3.14	3.14
11*	3.55	3.55	3.55	3.55
12*	3.82	3.82	3.82	3.82
13*		4.00	4.00	4.00
14		4.50	4.50	4.50
15*		4.95	4.90	4.90

* Special nozzle sizes available on request

Specifications

Table 8 - 174-1 Pressure Reducing Capacities								
Outlet Pressure Range Spring Code	Offset From Setpoint	Outlet Pressure Setting	Maximum Inlet Pressure PSIG (barg)	Capacities in SCFH (Nm ³ /h)				
				Orifice Size (mm)				
				1	2	4	8	14
1.4 to 2.2 inches w.c. (3.4 to 5.5 mbar), 43 12 UBB02	0.4 inches w.c. (1 mbar)	1.4 inches w.c. (3.4 mbar)	0.11 (1.6)	9.89 (0.265)	26.85 (0.719)	213.15 (5.711)	696.30 (18.655)	1278.92 (34.264)
			0.30 (4.35)	18.96 (0.508)	47.92 (1.284)	359.43 (9.630)	1174.15 (31.457)	
			1.30 (18.85)	43.77 (1.173)	109.42 (2.931)	820.63 (21.986)		
			5.60 (81.22)	140.20 (3.756)	350.50 (9.390)			
	2.2 inches w.c. (5.5 mbar)	0.11 (1.6)	9.78 (0.262)	26.55 (0.711)	211.24 (5.659)	690.051 (18.487)	1267.44 (33.957)	
		0.30 (4.35)	18.89 (0.506)	47.80 (1.281)	358.46 (9.604)	1170.98 (31.372)		
		1.30 (18.85)	43.76 (1.172)	109.42 (2.931)	820.44 (21.981)			
		5.60 (81.22)	140.18 (3.755)	350.44 (9.389)				
2.2 to 3.7 inches w.c. (5.5 to 9.3 mbar), 43 12 UBB03	0.8 inches w.c. (2 mbar)	2.2 inches w.c. (5.5 mbar)	0.13 (1.88)	10.91 (0.292)	29.56 (0.792)	230.78 (6.183)	753.89 (20.198)	1384.69 (37.098)
			0.40 (5.80)	22.29 (0.597)	55.71 (1.493)	417.86 (11.195)	1365.00 (36.570)	
			1.60 (23.2)	49.94 (1.338)	124.85 (3.345)	936.53 (25.091)		
			6.50 (94.27)	161.09 (4.316)	402.72 (10.790)			
	3.7 inches w.c. (9.3 mbar)	0.13 (1.88)	10.72 (0.287)	29.06 (0.779)	227.61 (6.098)	743.53 (19.920)	1365.66 (36.588)	
		0.40 (5.80)	22.21 (0.595)	55.53 (1.488)	416.45 (11.157)	1360.41 (36.447)		
		1.60 (23.2)	49.94 (1.338)	124.85 (3.345)	936.33 (25.086)			
		6.50 (94.27)	161.04 (4.315)	402.60 (10.786)				
3.7 to 8.8 inches w.c. (9.3 to 22 mbar) 43 12 UBB05	2 inches w.c. (5 mbar)	3.7 inches w.c. (9.3 mbar)	0.21 (3.05)	14.77 (0.396)	39.30 (1.053)	294.73 (7.896)	962.77 (25.794)	1768.36 (47.377)
			0.60 (8.70)	27.75 (0.744)	69.38 (1.859)	520.35 (13.941)	1699.81 (45.540)	
			2.60 (37.71)	70.35 (1.885)	175.87 (4.712)	1319.02 (35.338)		
			10.00 (145)	242.53 (6.498)	606.33 (16.244)			
	8.8 inches w.c. (22 mbar)	0.21 (3.05)	14.26 (0.382)	38.24 (1.024)	286.78 (7.683)	936.80 (25.098)	1720.66 (46.099)	
		0.60 (8.70)	27.58 (0.739)	68.94 (1.847)	517.06 (13.853)	1689.05 (45.252)		
		2.60 (37.71)	70.18 (1.880)	175.44 (4.700)	1315.78 (35.252)			
		10.00 (145)	242.38 (6.494)	605.94 (16.234)				
8.8 to 13.6 inches w.c. (22 to 34 mbar) 43 12 UBB06	13.15 inches w.c. (8 mbar)	8.8 inches w.c. (22 mbar)	0.25 (3.63)	16.13 (0.432)	42.20 (1.131)	316.54 (8.480)	1034.02 (27.703)	1899.21 (50.883)
			0.80 (11.60)	32.55 (0.872)	81.38 (2.180)	610.33 (16.352)	1993.73 (53.415)	
			3.20 (46.41)	84.17 (2.255)	210.43 (5.638)	1578.26 (42.284)		
			10.00 (145)	242.38 (6.494)	605.94 (16.234)			
	13.6 inches w.c. (34 mbar)	0.25 (3.63)	15.68 (0.420)	41.28 (1.106)	309.62 (8.295)	1011.41 (27.097)	1857.69 (49.770)	
		0.80 (11.60)	32.43 (0.869)	81.07 (2.172)	608.00 (16.289)	1986.11 (53.211)		
		3.20 (46.41)	84.01 (2.251)	210.04 (5.627)	1575.28 (42.204)			
		10.00 (145)	242.23 (6.490)	605.58 (16.224)				
13.6 to 25 inches w.c. (34 to 62 mbar) 43 12 UBB07	6.8 inches w.c. (17 mbar)	13.6 inches w.c. (34 mbar)	0.30 (4.35)	17.93 (0.480)	45.95 (1.231)	344.61 (9.233)	1125.74 (30.160)	2067.68 (55.396)
			0.90 (13.05)	34.78 (0.932)	89.96 (2.330)	652.21 (17.474)	2130.54 (57.080)	
			3.70 (53.66)	95.66 (2.563)	239.14 (6.407)	1793.56 (48.052)		
			10.00 (145)	242.23 (6.490)	605.58 (16.224)			
	25 inches w.c. (62 mbar)	0.30 (4.35)	16.92 (0.453)	43.95 (1.177)	329.63 (8.831)	1076.78 (28.849)	1977.77 (52.987)	
		0.90 (13.05)	34.52 (0.925)	86.30 (2.312)	647.26 (17.341)	2114.38 (56.647)		
		3.70 (53.66)	95.29 (2.553)	238.23 (6.382)	1786.69 (47.868)			
		10.00 (145)	241.89 (6.481)	604.73 (16.202)				

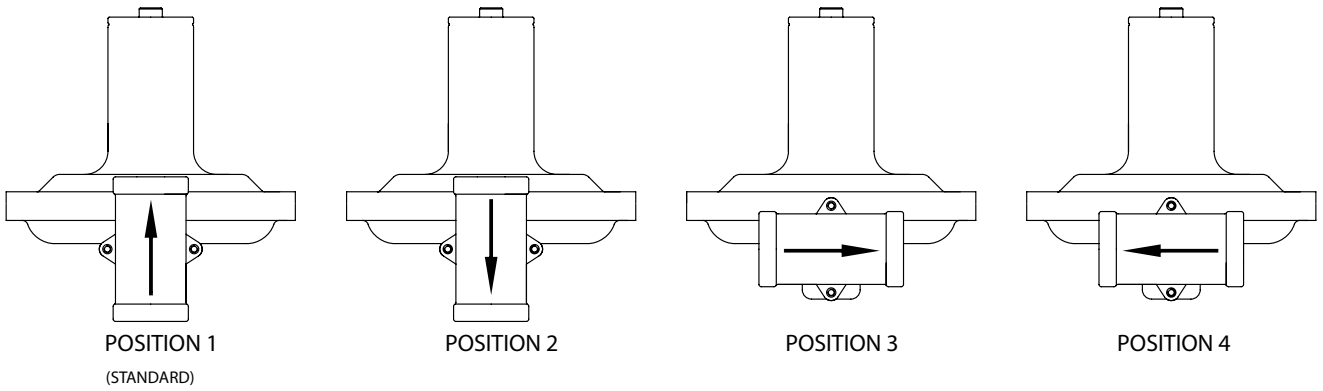
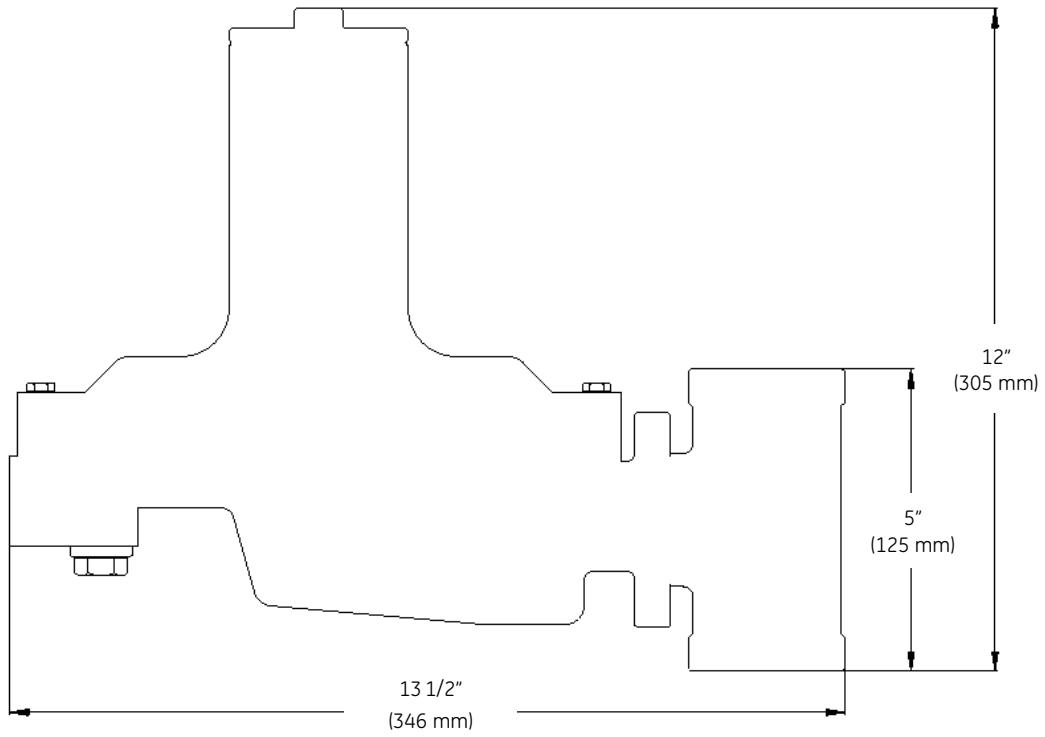
Specifications

Table 8 - 174-1 Pressure Reducing Capacities (cont.)								
Outlet Pressure Range Spring Code	Offset From Setpoint	Outlet Pressure Setting	Maximum Inlet Pressure PSIG (barg)	Capacities in SCFH (Nm ³ /h)				
				Orifice Size (mm)				
				1	2	4	8	14
25 to 39 inches w.c. (62 to 98 mbar), 43 12 UBB08	10.24 inches w.c. (26 mbar)	25 inches w.c. (62 mbar)	0.50 (7.25)	24.16 (0.647)	60.41 (1.618)	453.08 (12.139)	1480.04(39.652)	2718.45(72.831)
			1.50 (21.76)	47.69 (1.278)	119.23 (3.194)	894.23 (23.958)	2921.16(78.262)	
			6.30 (91.37)	155.74 (4.172)	389.34 (10.431)	2920.07(78.233)		
			10.00 (145)	241.89 (6.481)	604.73 (16.202)			
		39 inches w.c. (98 mbar)	0.50 (7.25)	23.45 (0.628)	58.63 (1.571)	439.75 (11.782)	1436.51(38.486)	2638.49(70.689)
			1.50 (21.76)	47.53 (1.273)	118.83 (3.184)	891.21 (23.877)	2911.29(77.998)	
			6.30 (91.37)	155.29 (4.160)	388.22 (10.401)	2911.63(78.006)		
			10.00 (145)	241.45 (6.469)	603.63 (16.172)			
1.4 to 2.8 psig (0.098 to 0.19 barg) 43 12 UBB09	0.73 psig (0.050 barg)	1.4 psig (0.098 barg)	0.80 (11.60)	31.69 (0.849)	79.23 (2.123)	594.26 (15.921)	1941.23(52.008)	3565.52(95.525)
			2.50 (36.26)	67.68 (1.813)	169.19 (4.533)	1268.91(33.996)	4145.11(111.053)	
			10.00 (145)	241.45 (6.469)	603.63 (16.172)	4527.24(121.291)		
		2.8 psig (0.19 barg)	0.80 (11.60)	30.42 (0.815)	76.04 (2.037)	570.32 (15.280)	1863.02(49.913)	3421.88(91.677)
			2.50 (36.26)	67.59 (1.811)	168.96 (4.527)	1267.23(33.951)	4139.62(110.906)	
			10.00 (145)	240.33 (6.439)	600.82 (16.097)	4506.16(120.726)		
2.8 to 4.4 psig (0.19 to 0.30 barg) 43 12 UBB10	1.12 psig (0.077 barg)	2.8 psig (0.19 barg)	0.80 (11.60)	30.42 (0.815)	76.04 (2.037)	570.32 (15.280)	1863.02(49.913)	3421.88(91.677)
			2.70 (39.16)	71.53 (1.916)	178.82 (4.791)	1341.15(35.931)	4381.08(117.375)	
			10.00 (145)	240.33 (6.439)	600.82 (16.097)	4506.16(120.726)		
		4.4 psig (0.30 barg)	0.80 (11.60)	28.48 (0.763)	71.21 (1.908)	534.05 (14.308)	1744.57(46.740)	3204.32(85.848)
			2.70 (39.16)	71.39 (1.913)	178.47 (4.781)	1338.53(35.861)	4372.53(117.146)	
			10.00 (145)	238.98 (6.403)	597.44 (16.006)	4480.81(120.047)		
4.4 to 8.8 psig (0.30 to 0.61 barg) 43 12 UBB12	2.7 psig (0.180 barg)	4.4 psig (0.30 barg)	1.60 (23.2)	48.50 (1.300)	121.24 (3.248)	909.32 (24.362)	2970.43(79.582)	5455.90 (146.171)
			5.00 (72.52)	122.46 (3.281)	306.15 (8.202)	2296.1 (61.516)	7500.59 (200.951)	
			10.00 (145)	238.98 (6.403)	597.44 (16.006)	4480.81(120.047)		
		8.8 psig (0.61 barg)	1.60 (23.2)	45.44 (1.217)	113.60 (3.044)	852.02 (22.827)	2783.26 (74.567)	5112.10 (136.96)
			5.00 (72.52)	118.35 (3.171)	295.88 (7.927)	2219.09 (59.452)	7249.02 (194.211)	
			10.00 (145)	235.13 (6.300)	587.82 (15.748)	4408.62(118.113)		

Materials of Construction

Table 9 - 174-7 Pressure Relief Capacities								
Outlet Pressure Range Spring Code	Offset From Setpoint	Outlet Pressure Setting	Maximum Inlet Pressure PSIG (barg)	Capacities in SCFH (Nm ³ /h)				
				Orifice Size (mm)				
				1	2	4	8	14
1.4 to 2.2 inches w.c. (3.4 to 5.5 mbar), 43 12 UBB02	0.4 inches w.c. (1 mbar)	1.4 inches w.c. (3.4 mbar)	0.00	1.14 (0.031)	6.01 (0.161)	31.48 (0.843)	116.59 (3.124)	213.41 (5.718)
		2.2 inches w.c. (5.5 mbar)	0.00	1.56 (0.042)	8.06 (0.216)	41.66 (1.116)	153.02 (4.100)	279.17 (7.479)
2.2 to 3.7 inches w.c. (5.5 to 9.3 mbar), 43 12 UBB03	0.8 inches w.c. (2 mbar)	2.2 inches w.c. (5.5 mbar)	0.00	1.56 (0.042)	8.06 (0.216)	41.66 (1.116)	153.02 (4.100)	279.17 (7.479)
		3.7 inches w.c. (9.3 mbar)	0.00	2.18 (0.058)	11.07 (0.297)	56.48 (1.513)	205.77 (5.513)	367.45 (9.844)
3.7 to 8.8 inches w.c. (9.3 to 22 mbar), 43 12 UBB05	2 inches w.c. (5 mbar)	3.7 inches w.c. (9.3 mbar)	0.00	2.18 (0.058)	11.07 (0.297)	56.48 (1.513)	205.77 (5.513)	367.45 (9.844)
		8.8 inches w.c. (22 mbar)	0.00	3.73 (0.100)	18.53 (0.496)	92.83 (2.487)	321.22 (8.606)	565.35 (15.147)
8.8 to 13.6 inches w.c. (22 to 34 mbar), 43 12 UBB06	3.15 inches w.c. (8 mbar)	8.8 inches w.c. (22 mbar)	0.00	3.73 (0.100)	18.53 (0.496)	92.83 (2.487)	321.22 (8.606)	565.35 (15.147)
		13.6 inches w.c. (34 mbar)	0.00	4.88 (0.131)	24.01 (0.643)	119.33 (3.197)	399.48 (10.703)	703.09 (18.837)
13.6 to 25 inches w.c. (34 to 62 mbar), 43 12 UBB07	6.8 inches w.c. (17 mbar)	13.6 inches w.c. (34 mbar)	0.00	4.88 (0.131)	24.01 (0.643)	119.33 (3.197)	399.48 (10.703)	703.09 (18.837)
		25 inches w.c. (62 mbar)	0.00	7.06 (0.189)	34.34 (0.920)	161.99 (4.340)	539.97 (14.467)	950.35 (25.461)
25 to 39 inches w.c. (62 to 98 mbar), 43 12 UBB08	10.24 inches w.c. (26 mbar)	25 inches w.c. (62 mbar)	0.00	7.06 (0.189)	34.34 (0.920)	161.99 (4.340)	539.97 (14.467)	950.35 (25.461)
		39 inches w.c. (98 mbar)	0.00	9.37 (0.251)	45.21 (1.211)	203.96 (5.464)	679.86 (18.214)	1196.55 (32.057)
1.4 to 2.8 psig (0.098 to 0.19 barg), 43 12 UBB09	0.73 psig (50 mbar)	1.4 psig (0.098 barg)	0.00	9.37 (0.251)	45.21 (1.211)	203.96 (5.464)	679.86 (18.214)	1196.55 (32.057)
		2.8 psig (0.190 barg)	0.00	14.19 (0.380)	64.67 (1.733)	285.31 (7.644)	951.03 (25.479)	1673.81 (44.844)
2.8 to 4.4 psig (0.19 to 0.30 barg), 43 12 UBB10	1.12 psig (77 mbar)	2.8 psig (0.19 barg)	0.00	14.19 (0.380)	64.67 (1.733)	285.31 (7.644)	951.03 (25.479)	1673.81 (44.844)
		4.4 psig (0.30 barg)	0.00	19.07 (0.511)	81.82 (2.192)	360.99 (9.671)	32.238 (1203.30)	2117.81 (56.739)

Dimensions



Body – Spring Case Orientation

DIRECT SALES OFFICE LOCATIONS

BELGIUM

Phone: +32-2-344-0970
Fax: +32-2-344-1123

BRAZIL

Phone: +55-11-2146-3600
Fax: +55-11-2146-3610

CHINA

Phone: +86-10-5689-3600
Fax: +86-10-5689-3800

FRANCE

Courbevoie

Phone: +33-1-4904-9000
Fax: +33-1-4904-9010

GERMANY

Ratingen

Phone: +49-2102-108-0
Fax: +49-2102-108-111

INDIA

Mumbai

Phone: +91-22-8354790
Fax: +91-22-8354791

New Delhi

Phone: +91-11-2-6164175
Fax: +91-11-5-1659635

ITALY

Phone: +39-081-7892-111
Fax: +39-081-7892-208

JAPAN Chiba

Phone: +81-43-297-9222
Fax: +81-43-299-1115

KOREA

Phone: +82-2-2274-0748
Fax: +82-2-2274-0794

MALAYSIA

Phone: +60-3-2161-0322
Fax: +60-3-2163-6312

MEXICO

Phone: +52-55-3640-5060

THE NETHERLANDS

Phone: +0031-15-3808666
Fax: +0031-18-1641438

RUSSIA

Veliky Novgorod

Phone: +7-8162-55-7898
Fax: +7-8162-55-7921

Moscow

Phone: +7 495-585-1276
Fax: +7 495-585-1279

SAUDI ARABIA

Phone: +966-3-341-0278
Fax: +966-3-341-7624

SINGAPORE

Phone: +65-6861-6100
Fax: +65-6861-7172

SOUTH AFRICA

Phone: +27-11-452-1550
Fax: +27-11-452-6542

SOUTH and CENTRAL

AMERICA and the CARIBBEAN

Phone: +55-12-2134-1201
Fax: +55-12-2134-1238

SPAIN

Phone: +34-93-652-6430
Fax: +34-93-652-6444

UNITED ARAB EMIRATES

Phone: +971-4-8991-777
Fax: +971-4-8991-778

UNITED KINGDOM

Wooburn Green

Phone: +44-1628-536300
Fax: +44-1628-536319

UNITED STATES

Massachusetts

Phone: +1-508-586-4600
Fax: +1-508-427-8971

Corpus Christi, Texas

Phone: +1-361-881-8182
Fax: +1-361-881-8246

Deer Park, Texas

Phone: +1-281-884-1000
Fax: +1-281-884-1010

Houston, Texas

Phone: +1-281-671-1640
Fax: +1-281-671-1735



* Trademark of General Electric Company
Other company names and product names used in this document are the registered trademarks
or trademarks of their respective owners.

© 2013 General Electric Company. All rights reserved.

GEA20226A 07/2014