

3" Single Port

Type A Flangeless
CL 150 – 300



The 3" Single Port Type A Flangeless Flowgrid® Valve is an economical and easy to maintain top entry pilot operated valve for both gas and liquid applications. This space saving valve has a face to face dimension of only 3.72" for the 150/300 CL valve. The face to face dimension is the same as the American Axial Flow™ regulator, making the top entry valve an ideal replacement.

3" Single Port Type A Flangeless Flowgrid® Valve with Series 20 Pilot

OVERPRESSURE PROTECTION

The Flowgrid® Valve is bi-directional and has a full ANSI rating on both the inlet and outlet. Overpressure protection is required only if the pressure can exceed the flange or body rating.

The pilots, like most regulators, may have an outlet pressure rating lower than the inlet pressure rating. If this is the case then some external form of overpressure protection must be provided for the pilot.

Anytime the Flowgrid® valve or pilot system is exposed to pressure in excess of its rating it should be inspected for damage.

SPECIFICATIONS

Size	3"
Body Style	Single Port (3")
End Connections	3" CL150, 300 Flangeless
Temperature	Working -20°F to 150°F Emergency -40°F to 175°F
Max. Operating Differential	740 psi
Max. Emergency Differential	740 psi
Min. Differential	Refer to graph on page 2
Cracking Differential	Refer to graph on page 2
Max. Inlet Pressure	740 psig*
Outlet Pressure Range	Limited By Pilot
Body Taps	One 1/4" - 18NPT

*Limited by pilot or flange rating

MATERIALS OF CONSTRUCTION

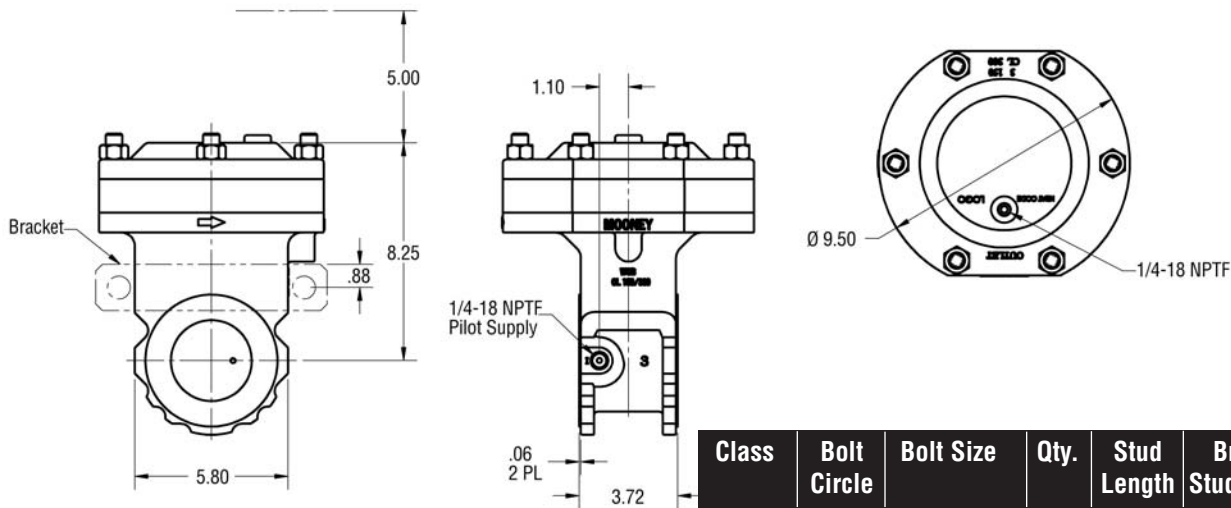
Body & Spring Case	ASTM A 216 GR WCB Carbon Steel
Throttle Plate	17 - 4PH Stainless Steel or A515 Carbon Steel with ENC Coating
Diaphragm	Nitrile/Nylon*
O-Ring & Seals	Nitrile
Bolting	ASTM A 193 GR B-7 or Equal
Spring	301 Stainless Steel

*Refer to diaphragm selection chart on page 2

STOCK NUMBERS

3" Single Port Type A Flangeless Valve	Stock #	Weight
150# Flangeless	FG-103	60 lbs.
300# Flangeless	FG-104	60 lbs.

DIMENSIONS



Class	Bolt Circle	Bolt Size	Qty.	Stud Length	Bracket Stud Length	Qty.
150	6.00	5/8-11UNC	2	7.75	10.75	2
300	6.62	5/8-11UNC	6	8.50	11.75	2

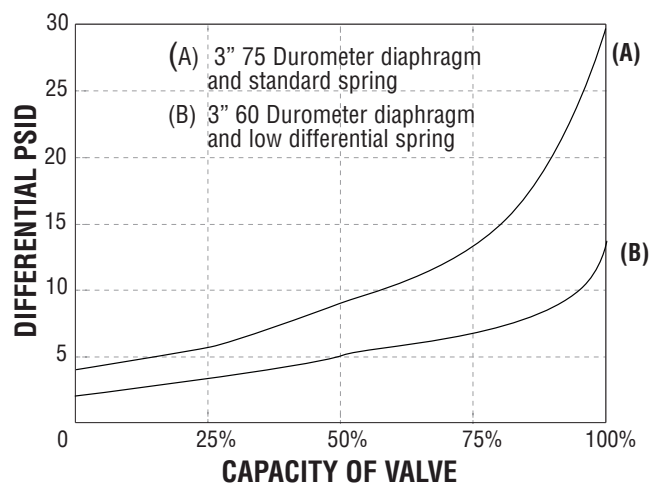
Stud Material: A193 Grade B7 Nut Material: A194 Grade 2H

FLOW COEFFICIENTS AND CONSTANTS

3" Single Port Type A Flangeless Valve				Swage Factor	
Percent Capacity	Cv	C1	Cg	1.5:1	2:1
100%	92	35	3240	0.98	0.96
75%	80	33	2650	0.98	0.97
50%	68	32	2150	0.99	0.98
35%	49	31	1530	1.00	1.00

NOTE: Allow a 5% factor of safety when calculating relief capacity

MINIMUM PRESSURE DIFFERENTIAL VS. CAPACITY



DIAPHRAGM SELECTION

Compound	Temp. Range (Degrees F)	Maximum Differential	Characteristics	Recommended Applications
75 Duro	-20 to 150	1000 psid	Best All Around Material	60 psid to Max. Differential
60 Duro	-25 to 150	300 psid	Best Shutoff at Low Differential Pressure	Low Differential (100 psid or less) or Low Temperature
80 Duro High ACN	-5 to 175	1000 psid	Higher Abrasion and Swelling Resistance	High Differential (400 psid or higher) or Abrasive Conditions with Distillates
80 Duro Low ACN	-20 to 150	1000 psid	Higher Abrasion Resistance and Low Temperature Flexibility	High Differential (400 psid or higher) or Abrasive Conditions at Low Temperatures

Mooney
Dresser, Inc.
 2822 S. 1030 W.
 Salt Lake City, Utah 84119
 Phone: 801.487.2225 Fax: 801.487.2587
 www.mooneycontrols.com

