

# 1" Mooney\* Flowgrid\* Noise Controller (FG-NC)

GE's FG-NC is an innovative noise reducing device designed for use with the Mooney Flowgrid regulator. The FG-NC can be thought of as an energy absorber that when used properly can reduce noise levels up to 25 dBA.

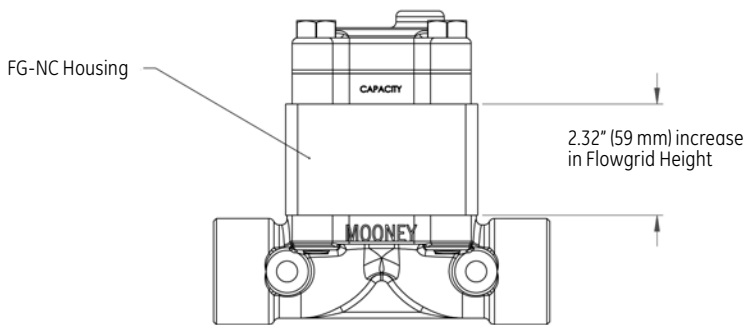
Specifications	
<b>Size</b>	1" (25 mm)
<b>Approximate Weight<sup>2</sup></b>	8 lbs (4 kg) <sup>2</sup>
<b>ANSI Class Rating</b>	600 CL
<b>Temperature Working</b>	-20°F to 150°F (-29°C to 66°C)
<b>Emergency</b>	-40°F to 175°F (-40°C to 79°C)
<b>Max. Operating Differential<sup>1</sup></b>	800 psi (55 bar) <sup>1</sup>
<b>Max. Emergency Differential<sup>1</sup></b>	1000 psi (69 bar) <sup>1</sup>
<b>Min. Operating Differential</b>	Refer to Flowgrid spec sheet
<b>Max. Inlet Pressure<sup>1</sup></b>	1480 psig (102 bar) <sup>1</sup>
<b>Flow Direction</b>	Uni-Directional

<sup>1</sup> May be limited by body rating of Flowgrid regulator

<sup>2</sup> Approximate weight of FG-NC without Flowgrid

FG-NC			1" Flowgrid with 100% Throttle Plate and FG-NC		
Cv	C <sub>1</sub>	C <sub>g</sub>	Cv	C <sub>1</sub>	C <sub>g</sub>
9	35	302	7	35	250

## Dimensions<sup>3</sup>



<sup>3</sup> Refer to Flowgrid spec sheet for Flowgrid dimensions



Figure 1 - 1" FG-NC



Figure 2 - 1" FG-NC with Flowgrid regulator

Materials of Construction	
<b>Housing</b>	Carbon steel
<b>Plates</b>	Stainless steel
<b>Plate Screws</b>	Stainless steel
<b>Seals</b>	Nitrile
<b>Housing Studs</b>	ANSI B7

## GE Oil & Gas

2822 S. 1030 West  
 Salt Lake City, UT 84119  
 T: +1 801.487.2225  
 F: +1 801.487.2587  
 Email: mooney.inquiries@ge.com

Visit us online at: [www.oilandgas.com/valves](http://www.oilandgas.com/valves)  
 ©2012, General Electric Company

All Rights Reserved

\*Trademark of General Electric Company

