

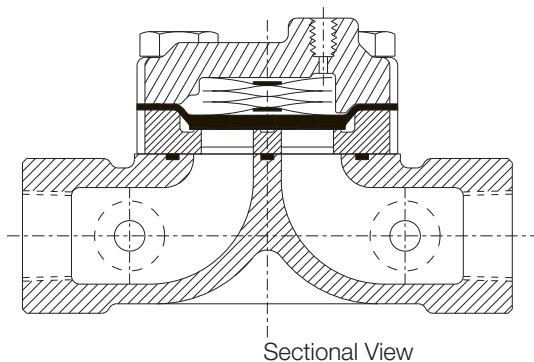
1" & 1-1/4" Single Port

NPT CL 600
SWE CL 600
FLANGED CLASS 150-600

The 1" Flowgrid® valve is an economical and easy to maintain pilot operated valve for both gas and liquid applications. The valve is designed to be used in conjunction with a self contained pilot control system as pictured. The 1" regulator is the perfect size when a "farm tap regulator" is too small. The low profile and easy in line maintenance make it ideal for skid mounted, vault and enclosure installations.



1" Flowgrid® Valve with Series 20 Pilot



Specifications

Size	1" & 1-1/4"
Body Style	Single Port (1")
End Connections	1" CL 150,300, 600 Flanged, 1" & 1-1/4" CL600 NPT, CL600 SWE
Temperature	Working -20°F to 150°F Emergency -40°F to 175°F
Max. Operating Differential	1000 psi
Max. Emergency Differential	1500 psi
Min. Differential	Refer to graph on page 2
Cracking Differential	Refer to graph on page 2
Max. Inlet Pressure	1480 psig*
Outlet Pressure Range	Limited By Pilot
Flow Direction	Bi-Directional**
Body Taps	Two 1/4" - 18NPT

** Limited by pilot or flange rating

** Reverse flow by changing pilot connections and reversing spring case

Materials of Construction

Body & Spring Case	ASTM A 216 GR WCB Carbon Steel
Throttle Plate	17 - 4PH Stainless Steel or A515 Carbon Steel with ENC Coating
Diaphragm	Nitrile/Nylon* Optional (Viton/Nylon)
O-Ring & Seals	Nitrile, Optional (Viton)
Bolting	ASTM A 193 GR B-7 or Equal
Spring	301 Stainless Steel

*Refer to diaphragm selection chart on page 2

Stock Numbers

1" Single Port Valve	Stock Number	Weight
150# Flanged	FG-54	13 lbs.
300# Flanged	FG-55	16 lbs.
600# Flanged	FG-56	17 lbs.
CL600 NPT	FG-11	11 lbs.
CL600 SWE	FG-12	11 lbs.
1 1/4" Single Port Valve		
CL600 NPT	FG-13	11 lbs.
CL600 SWE	FG-14	11 lbs.

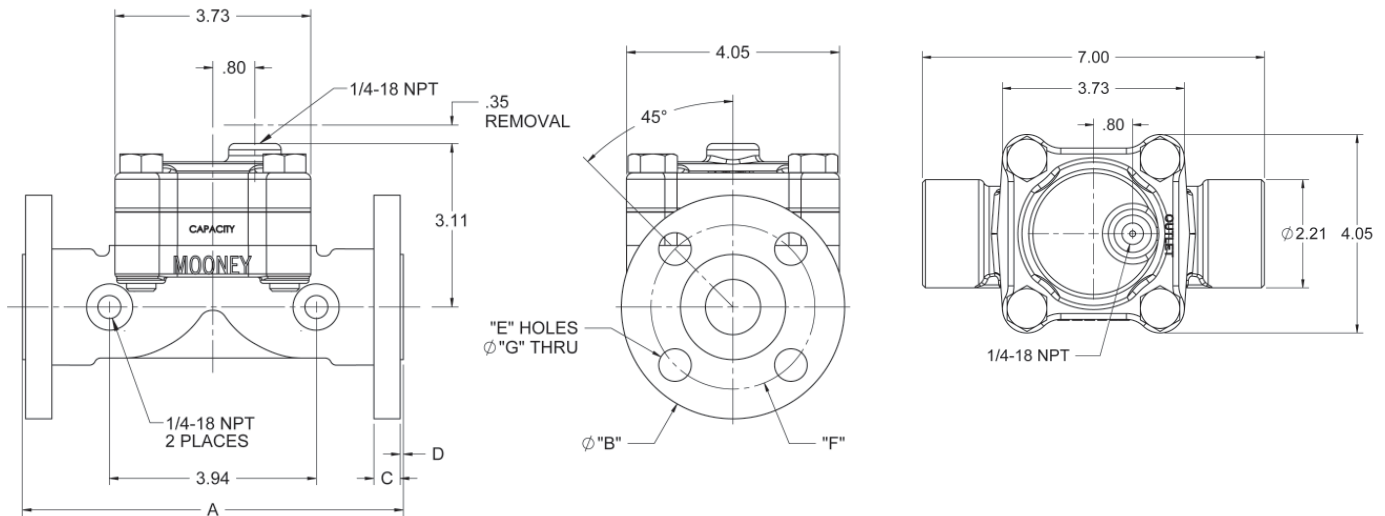
Overpressure Protection

The Flowgrid® Valve is bi-directional and has a full ANSI rating on both the inlet and outlet. Overpressure protection is required only if the pressure can exceed the flange or body rating.

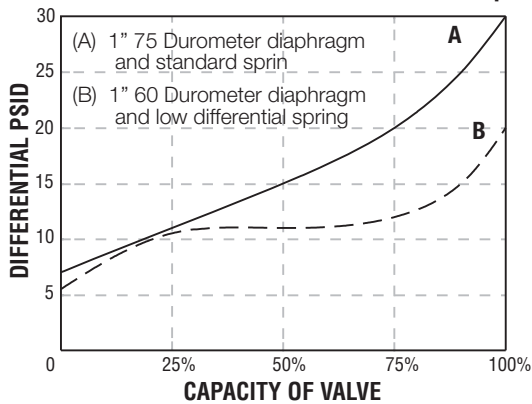
The pilots, like most regulators, may have an outlet pressure rating lower than the inlet pressure rating. If this is the case then some external form of overpressure protection must be provided for the pilot.

Anytime the Flowgrid® valve or pilot system is exposed to pressure in excess of its rating it should be inspected for damage.

Dimensions



Minimum Pressure Differential vs. Capacity



Flange Dimensions

Flange Class	A	B	C	D	E	F	G
Class 150	7.25	4.25	.50	.06	4	3.12	.63
Class 300	7.75	4.88	.62	.06	4	3.50	.75
Class 600	8.25	4.88	.69	.25	4	3.50	.75

Flow Coefficients and Constants

Percent Capacity	1" Single Port Valve			Swage Factor	
	C _v	C ₁	C _g	1.5:1	2:1
100%	13.2	34	450	0.96	0.93
75%	10.6	30	320	0.97	0.95
50%	8.9	27	240	0.98	0.96
35%	5.4	26	140	1.00	0.99

NOTE: Allow a 5% factor of safety when calculating relief capacity

Diaphragm Selection

Compound	Temp. Range (Degrees F)	Maximum Differential	Characteristics	Recommended Applications
75 Duro	-20 to 150	1000 psid	Best All Around Material	60 psid to Max. Differential
60 Duro	-25 to 150	300 psid	Best Shutoff at Low Differential Pressure	Low Differential (100 psid or less) or Low Temperature
80 Duro High ACN	-5 to 175	1000 psid	Higher Abrasion and Swelling Resistance	High Differential (400 psid or higher) or Abrasive Conditions with Distillates
80 Duro Low ACN	-20 to 150	1000 psid	Higher Abrasion Resistance and Low Temperature Flexibility	High Differential (400 psid or higher) or Abrasive Conditions at Low Temperatures

Dresser, Inc.

2822 S. 1030 W.
Salt Lake City, Utah 84119
Phone: 801.487.2225 Fax: 801.487.2587
www.dresser.com/mooney

