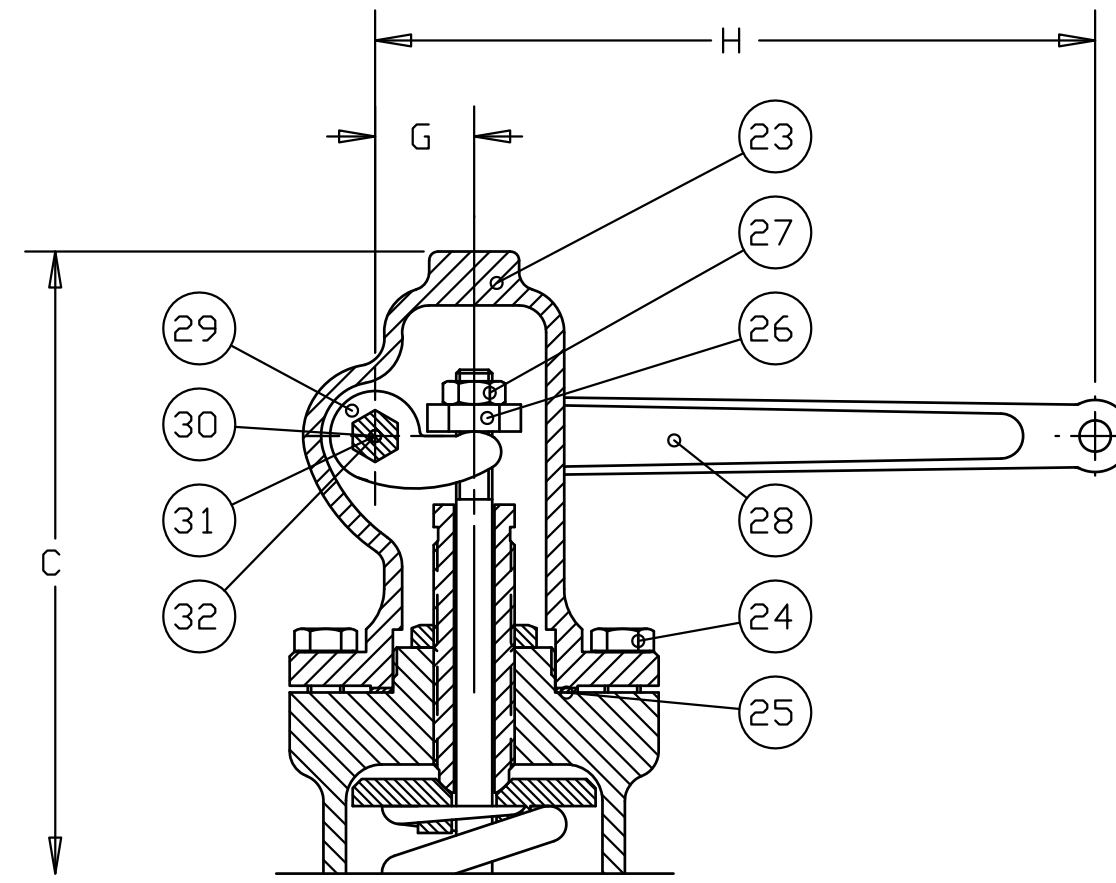
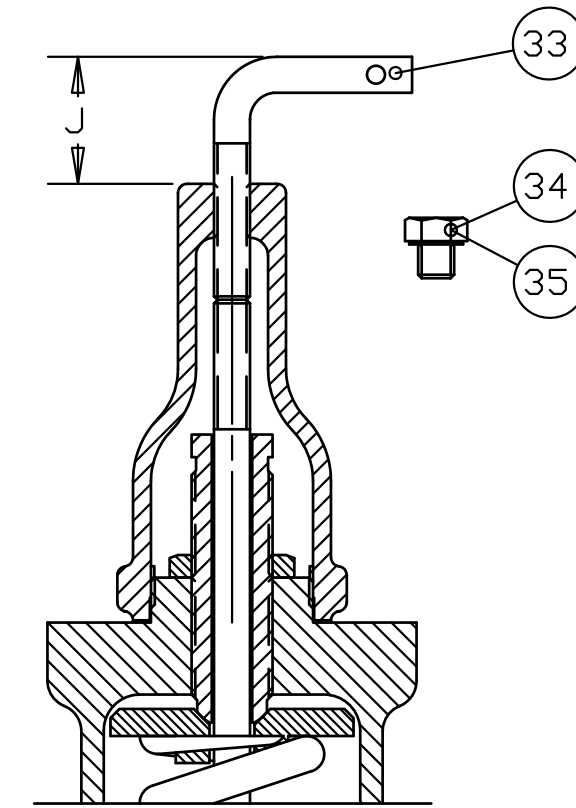


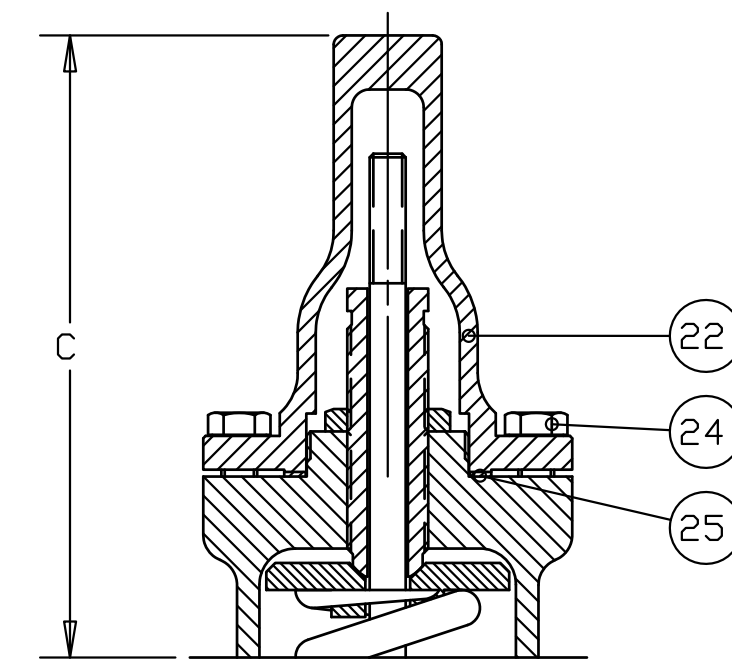
REF. NO.	NOMENCLATURE	MATERIAL
1	BASE	SA494 CW12MW NICKEL ALLOY
1A	BASE PLUG	HASTELLOY C
2	NOZZLE	HASTELLOY C
3	ADJUSTING RING	HASTELLOY C
4	ADJUSTING RING PIN	HASTELLOY C
5	ADJ. RING PIN GASKET	MONEL
6	DISC	HASTELLOY C
7	DISC RETAINER	INCONEL X750
8	DISC HOLDER	HASTELLOY C
9	GUIDE	HASTELLOY C
10	GUIDE GASKET	MONEL
11	BONNET	SA494 CW12MW NICKEL ALLOY
12	BONNET GASKET	MONEL
13	BASE STUD	HASTELLOY C
14	STUD NUT	HASTELLOY C
15	SPINDLE	HASTELLOY C
16	SPINDLE RETAINER	INCONEL X750
17	SPRING WASHER	CARBON STEEL
18	SPRING	MATERIAL LISTED BELOW
	1900-30c/H3	
	1900-30t/H3	
19	ADJUSTING SCREW	HASTELLOY C
20	ADJUSTING SCREW NUT	HASTELLOY C
21	SCREWED CAP	HASTELLOY C
22	BOLTED CAP	HASTELLOY C
23	PACKED CAP	HASTELLOY C
24	CAP BOLT	HASTELLOY C
25	CAP GASKET	MONEL
26	RELEASE NUT	HASTELLOY C
27	RELEASE LOCKNUT	HASTELLOY C
28	LEVER	MALLEABLE IRON
29	LIFTING FORK	HASTELLOY C
30	LEVER SHAFT	HASTELLOY C
31	PACKING	GRAFOIL
32	PACKING NUT	HASTELLOY C
33	GAG	CARBON STEEL
34	SEALING PLUG	HASTELLOY C
35	SEALING PLUG GASKET	MONEL
36	BELLOWS ASSEMBLY	
	BELLOWS	HASTELLOY C
	BELLOWS FLANGE	HASTELLOY C
	BELLOWS NUT	HASTELLOY C
37	BELLOWS GASKET	MONEL



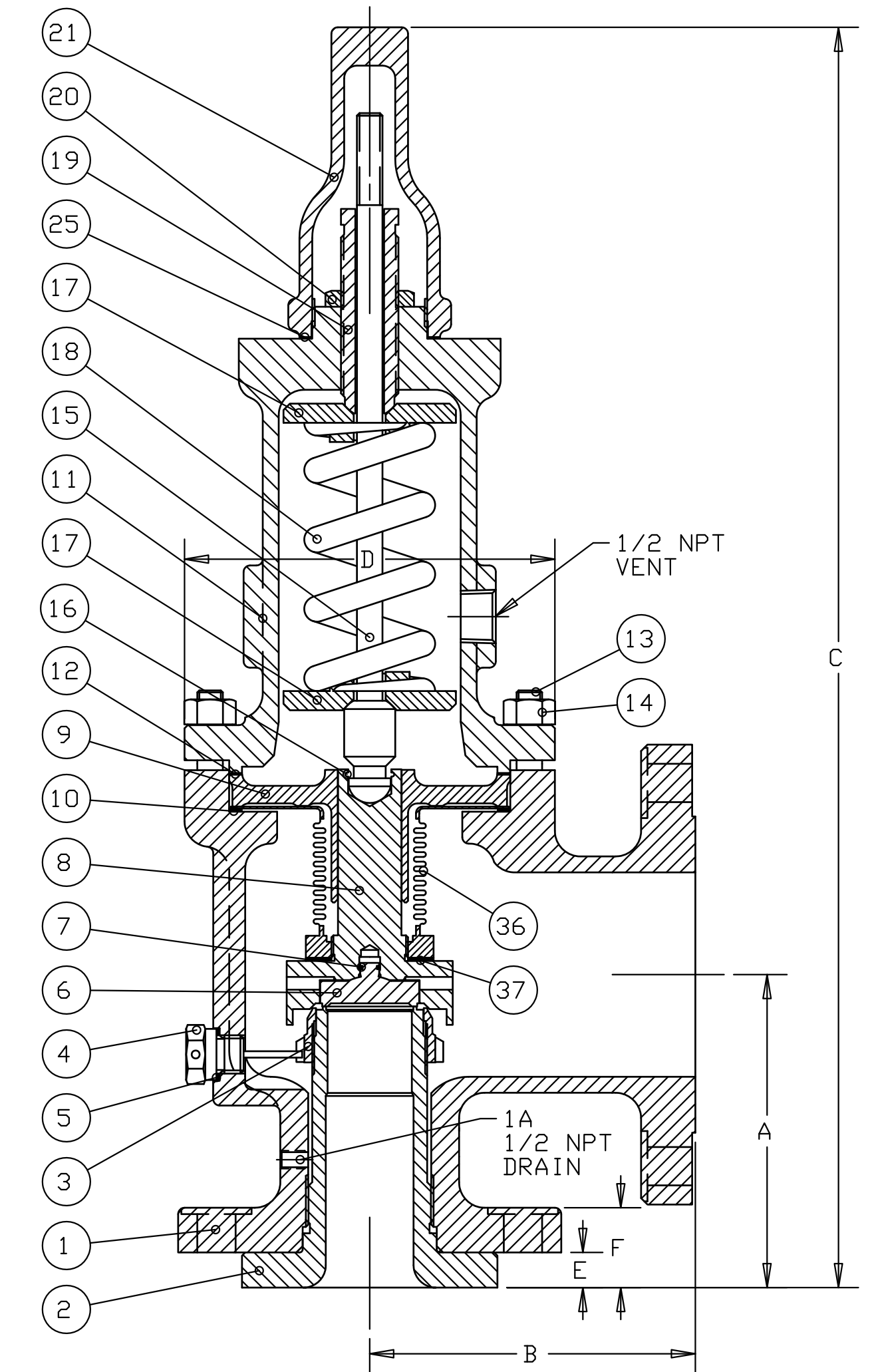
PACKED CAP



CAP WITH GAG



BOLTED CAP



SPRING MATERIAL

- () CARBON STEEL (CORROSIVE RESISTANT COATING)
- () CHROME STEEL (CORROSIVE RESISTANT COATING)
- () TUNGSTEN STEEL
- () INCONEL X750
- () 316 STAINLESS STEEL

TYPE	INLET ASME B16.5 STD. FLG. (EXCEPT AS NOTED)	OUTLET ASME B16.5 STD. FLANGE	A IN MM	B IN MM	C IN MM	D IN MM	E IN MM	F IN MM	G IN MM	H IN MM	J IN MM	APPROX. WEIGHT LBS/Kg
1905-30Jc 1905-30Jt	2" CLASS 150 STD. RF OR RJ	3" CLASS 150 STD. RF	5-3/8 136.5	4-7/8 123.8	21-1/4 539.8	6-7/8 174.6	11/16 17.4	1-5/16 33.3	1-3/16 30.1	8 203.2	3-3/8 85.7	75 34.0
1906-30Jc 1906-30Jt	2" CLASS 300 STD. RF OR RJ	3" CLASS 150 STD. RF	5-3/8 136.5	4-7/8 123.8	21-1/4 539.8	6-7/8 174.6	11/16 17.4	1-9/16 39.7	1-3/16 30.1	8 203.2	3-3/8 85.7	75 34.0
1910-30Jc 1910-30Jt	2-1/2" CLASS 300 STD. RF OR RJ	4" CLASS 150 STD. RF	5-3/8 136.5	5-5/8 142.9	23-3/4 603.3	7-3/8 187.3	11/16 17.4	1-13/16 46.0	1-3/8 34.9	10 254.0	3-3/8 85.7	100 45.4
1912-30Jc 1912-30Jt	2-1/2" CLASS 600 STD. RF OR RJ	4" CLASS 150 STD. RF	6-1/8 155.6	6-3/4 171.5	28-3/4 730.3	9 228.6	11/16 17.4	1-13/16 46.0	1-5/8 41.3	14 355.6	5-5/8 142.9	170 77.1
1914-30Jc 1914-30Jt	3" CLASS 900 STD. RF OR RJ	4" CLASS 150 STD. RF	7-1/4 184.2	7-1/8 181.0	29-3/4 755.7	9 228.6	11/16 17.4	2-3/16 55.5	1-5/8 41.3	14 355.6	5-5/8 142.9	195 88.5
1916-30Jc 1916-30Jt	3" CLASS 1500 STD. RF OR RJ	4" CLASS 300 STD. RF	7-1/4 184.2	7-1/8 181.0	29-3/4 755.7	9 228.6	11/16 17.4	2-9/16 65.1	1-5/8 41.3	14 355.6	5-5/8 142.9	220 99.8
1920-30Jt	2-1/2" CLASS 300 STD. RF OR RJ	4" CLASS 150 STD. RF	5-3/8 136.5	5-5/8 142.9	23-3/4 603.3	7-3/8 187.3	11/16 17.4	1-13/16 46.0	1-3/8 34.9	10 254.0	3-3/8 85.7	100 45.4
1922-30Jt	2-1/2" CLASS 600 STD. RF OR RJ	4" CLASS 150 STD. RF	5-3/8 136.5	5-5/8 142.9	23-3/4 603.3	7-3/8 187.3	11/16 17.4	1-13/16 46.0	1-3/8 34.9	10 254.0	3-3/8 85.7	100 45.4
1924-30Jt	2-1/2" CLASS 900 STD. RF OR RJ	4" CLASS 150 STD. RF	6-1/8 155.6	6-3/4 171.5	28-3/4 730.3	9 228.6	11/16 17.4	2-5/16 58.7	1-5/8 41.3	14 355.6	5-5/8 142.9	180 81.6
1926-30Jt	3" CLASS 1500 STD. RF OR RJ	4" CLASS 300 STD. RF	7-1/4 184.2	7-1/8 181.0	29-3/4 755.7	9 228.6	11/16 17.4	2-9/16 65.1	1-5/8 41.3	14 355.6	5-5/8 142.9	220 99.8

7	HD011C	GAK	GAK	ARW	8/4/2008
REV.	REL. NO.	DWN. BY	CKD. BY	ENG. APP.	DATE
CERTIFIED: Mark P. Rills					
1900-30J CONSOLIDATED SAFETY RELIEF VALVE					
DRESSER Consolidated					
VALVE TYPE 1900-30J-H3-MS					
DWG. NO. 415494					REV. 7