

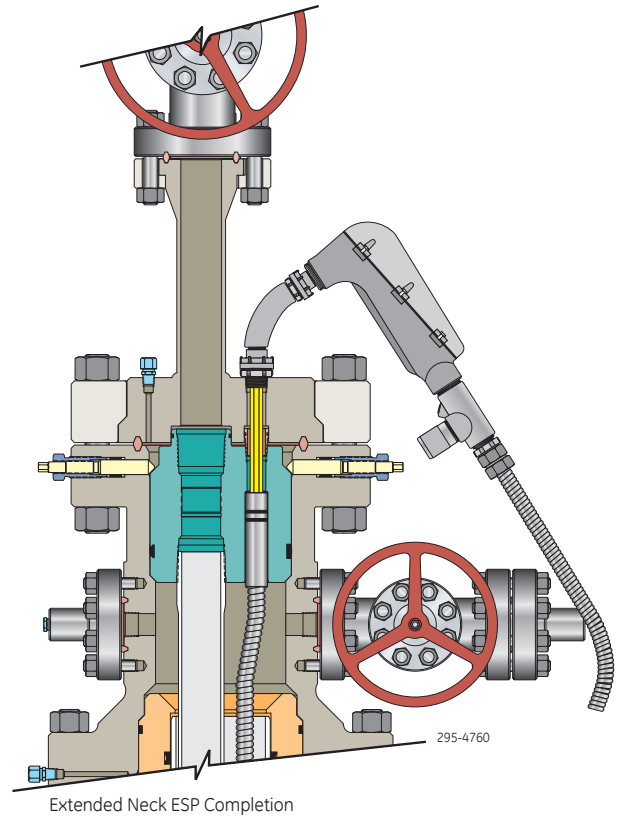
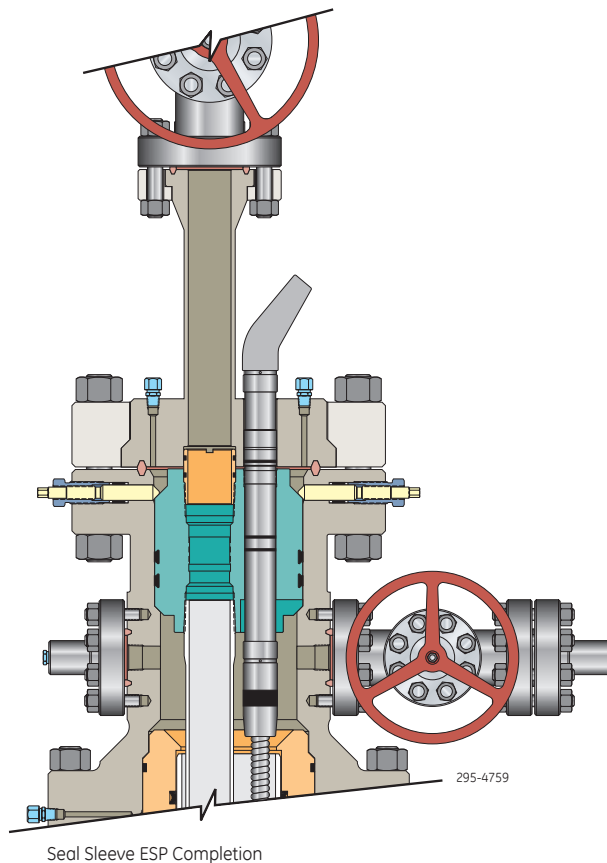
Specialty Wellheads

Pressure Control Electric Submersible Pump (ESP) Completions

Special wellhead completion equipment is required when using an Electric Submersible Pump (ESP) to provide artificial lift. This equipment must isolate the power cable from the wellbore and pass it through both the tubing hanger and adapter to the exterior of the wellhead. GE Oil & Gas Pressure Control, a long-time manufacturer of tubing heads and hangers, offers a wide range of solutions to match your preferred ESP requirements.

Features —

- Field-proven design
- Available in pressure ratings up to 5,000 psi
- Equipped with a full complement of integral lockscrews (PC #05-0225) for tubing hanger retention



- Tubing head adapters available with rotating flange to simplify equipment make up and tree orientation by eliminating the requirement to align the tubing hanger
- Interfaces with most manufacturers' wellhead penetrators
- Designed to your ESP manufacturer's specifications
- Accommodates concentric or eccentric hanger applications
- Available with or without control line exit blocks
- Includes a back pressure valve preparation
- Meets API 6A, 19th Edition requirements
- Meets PR-2 requirements

